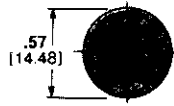
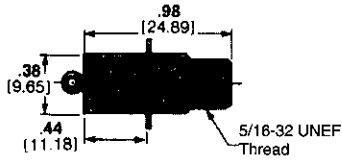


#### Glass-Epoxy Receptacles with .89 [22.61] Barrel Depth

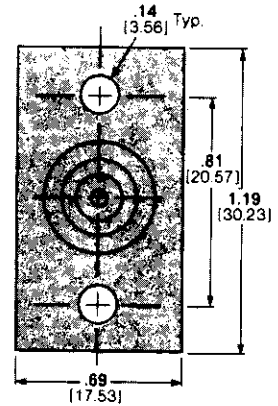
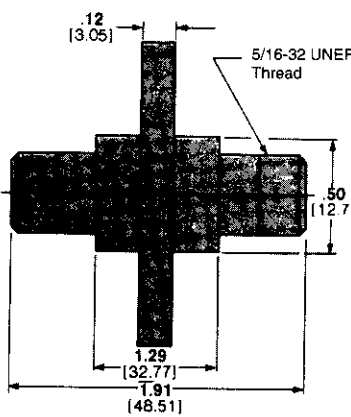
Flanged, For Hermetic Seal  
Part Number 861253-1

Weight — 3 grams



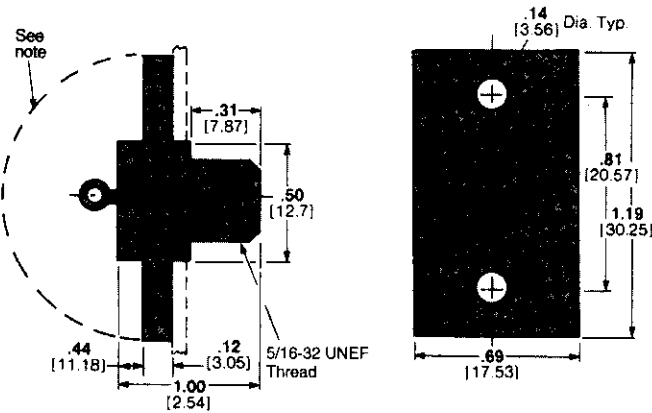
#### Bolt-Mount, Feed-Through Part Number 858856-1

Weight — 14 grams



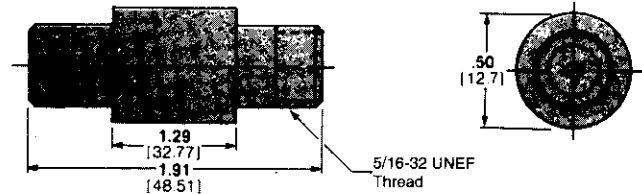
#### Flanged, Bolt Mount Part Number 858857-1

Weight — 6 grams



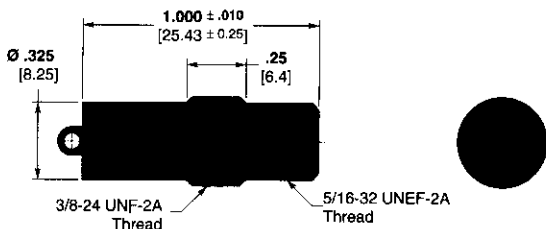
#### Splice Part Number 858082-1

Weight — 10.5 grams



Note: If the panel or mounting hardware is at ground potential, guard against arc-over and breakdown within the area defined by this line.

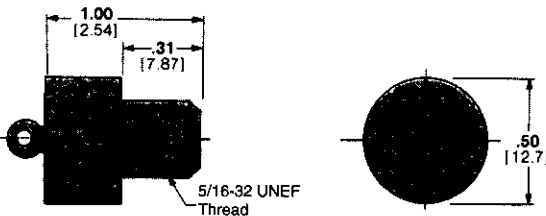
#### Special Receptacle Part Number 448464-1



Note: Receptacle will accept a LGH-1/2L lead with a .89 [22.6] molded end length.

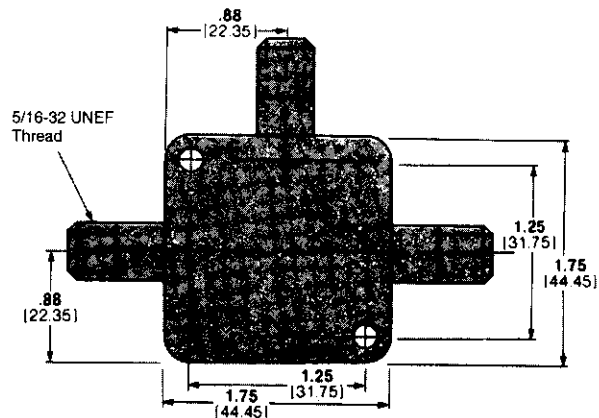
#### For Encapsulated Units Part Number 858855-1

Weight — 3 grams



#### T Connector Part Number 850736-1

Weight — 23 grams



Receptacles are available with gold plated contacts.

High Voltage Connectors