



SCHROFF

Project - 0 item(s)

MY PROJECT LIST

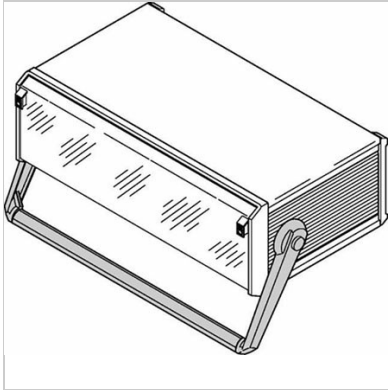
- [PRODUCTS](#)
- [APPLICATIONS](#)
- [INDUSTRIES](#)
- [NEW PRODUCTS](#)
- [CONFIGURATORS](#)
- Products ▾
- Search
-

Home > Tip-up carrying handle



Tip-up carrying handle

SCHROFF



Catalog Number: 24576-071

[Back To Product](#)

- Load-carrying capacity 20 kg
- Can be locked in 30° increments
- With powder-coated carrying bar

Product family:

PropacPRO

Note:

To fit the tip-up carrying handle, holes must be drilled in the side panel

Type:

Individual Components

Individual Component Type:

Handle

Delivery Includes:

Kit



Select product specifications before modifying or adding to project list or requesting a quote.

Width-HP-defining

[Clear Selection](#)

Quantity

Add Item to Project List +

Documents

[User manual](#)

Links

[Native CAD files](#)

Technical Data

Qty	1 piece
Width HP	42

Delivery Comprises:

Item	Quantity	Description
1	1	Carrying bar, Al extrusion, powder-coated, RAL 7016
2	2	Handle side part, Zn, die-cast, powder-coated, length 180 mm
3	2	Safety insert, St, 1.5 mm, black
4	1	Assembly kit for side panel mounting

Accessories

EXPLORE

- [About Us](#)
- [Services & Capabilities](#)
- [News & Events](#)
- [Newsletter Subscriptions](#)

CONTACT

- [Customer Service](#)
- [Find a Sales Office or Distributor](#)
- [Global Locations](#)
- [Product Compliance & Certifications](#)

DOWNLOAD

- [Download Center](#)
- [Reference Projects](#)
- [Videos](#)
- [Product Configurators](#)

Connect With Us

