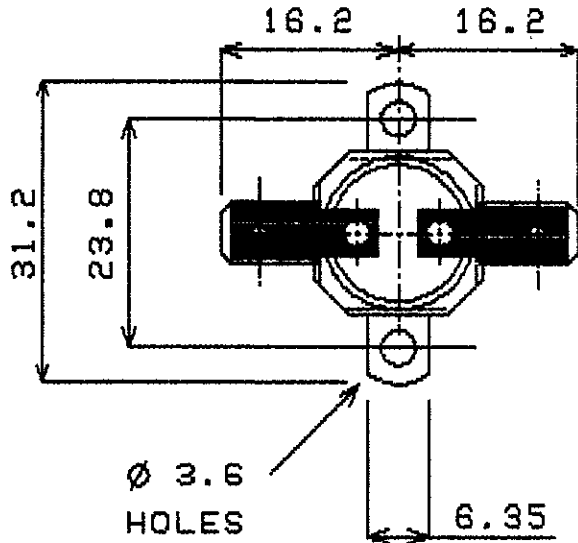


DO NOT SCALE ALL DIMENSIONS ARE FOR REFERENCE ONLY

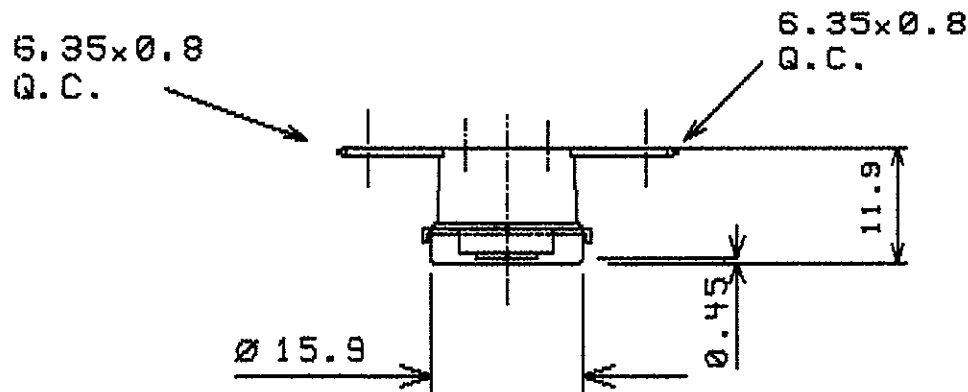
OPERATING CRITERIA



VOLTS: 240 AMPS: 10 HZ:

OPERATING TEMPS. DEG. C

OPEN: 85 ± 4
CLOSE: 100 ± 5



NOTE: ORIENTATION OF BRACKET IS NOT FIXED

ISSUE	A	B							
MOD No	2052	2259							
MTH/YR	3/97	7/98							

CODING REQUIREMENTS

COLOUR: LASER CODE
F100C RP 9100 446 XXX

(XXX = DATE CODING)

CAP: 8200 MAT'L: ALUMINIUM
BRK'T: 82036 MAT'L: STEEL
..... PLATING: NICKEL
TERMINAL: T146 : T146
MATERIAL: BRASS : BRASS
PLATING:

ELMWOOD DEVICE & UNIQUE PART No.
2455RP-9100-446

ELMWOOD DRG No.
965214

ISSUE
B



ELMWOOD
SENSORS LTD

DATE OF ISSUE STAMP

7 JUN 1997