

**Product number C11995_LENA-STD-BASE-CL340**

Family	Lena	FWHM	N/A degrees
Type	Base part	Efficiency	-
LED	CL-L340	cd/lm	-
Color	White	Gerber File	Available
Diameter	58.63 mm		
Height	13.25 mm		
Style	Round		
Optic Material	-		
Holder Material	PC		
Fastening	["screw"]		
Status	Production ready		

Product number C12948_LENA-WAS

Family	Lena	FWHM	Asymmetric degrees
Type	Reflector	Efficiency	84 %
LED	CL-L340	cd/lm	1.170
Color	Metal	Gerber File	Available
Diameter	111 mm		
Height	37 mm		
Style	Round		
Optic Material	PC		
Holder Material	-		
Fastening	["glue"]		
Status	Production ready		

Product number C12948_LENA-WAS

Family	Lena	FWHM	Asymmetric degrees
Type	Reflector	Efficiency	73 %
LED	CL-L340	cd/lm	0.900
Color	Metal	Gerber File	Available
Diameter	111 mm		
Height	37 mm		
Style	Round		
Optic Material	PC		
Holder Material	-		
Fastening	["glue"]		
Status	Production ready		

Product number C13101_LENA-X-WAS

Family	Lena	FWHM	Asymmetric degrees
Type	Reflector	Efficiency	82 %
LED	CL-L340	cd/lm	0.500
Color	White	Gerber File	Available
Diameter	111 mm		
Height	37 mm		
Style	Round		
Optic Material	HRPC		
Holder Material	-		
Fastening	["glue"]		
Status	Production ready		

**Product number C13101_LENA-X-WAS**

Family	Lena	FWHM	Asymmetric degrees
Type	Reflector	Efficiency	84 %
LED	CL-L340	cd/lm	1.170
Color	White	Gerber File	Available
Diameter	111 mm		
Height	37 mm		
Style	Round		
Optic Material	HRPC		
Holder Material	-		
Fastening	["glue"]		
Status	Production ready		

**Product number CN13158_LENA-WAS**

Family	Lena	FWHM	Asymmetric degrees
Type	RefPack	Efficiency	84 %
LED	CL-L340	cd/lm	1.170
Color	Metal	Gerber File	Available
Diameter	111 mm		
Height	38.7 mm		
Style	Round		
Optic Material	-		
Holder Material	-		
Fastening	["socket"]		
Status	Production ready		

Reflector twist-and-locks into included base part that holds COB in place. Base part is attached into heat sink with screws.

**Product number CN13168_LENA-WAS-DL**

Family	Lena	FWHM	Asymmetric degrees
Type	RefPack	Efficiency	73 %
LED	CL-L340	cd/lm	0.900
Color	Metal	Gerber File	Available
Diameter	111 mm		
Height	-		
Style	Round		
Optic Material	PC		
Holder Material	-		
Fastening	["socket"]		
Status	Production ready		

Reflector twist-and-locks into included base part that holds COB in place. Base part is attached into heat sink with screws.

**Product number CN13373_LENA-X-WAS-DL**

Family	Lena	FWHM	Asymmetric degrees
Type	RefPack	Efficiency	82 %
LED	CL-L340	cd/lm	0.500
Color	White	Gerber File	Available
Diameter	111 mm		
Height	42 mm		
Style	Round		
Optic Material	HRPC		
Holder Material	-		
Fastening	["socket", "screw"]		
Status	Production ready		

Reflector twist-and-locks into included base part that holds COB in place. Base part is attached into heat sink with screws.

**Product number CN13374_LENA-X-WAS**

Family	Lena	FWHM	Asymmetric degrees
Type	RefPack	Efficiency	84 %
LED	CL-L340	cd/lm	1.170
Color	White	Gerber File	Available
Diameter	111 mm	Reflector twist-and-locks into included base part that holds COB in place. Base part is attached into heat sink with screws.	
Height	39.9 mm		
Style	Round		
Optic Material	-		
Holder Material	-		
Fastening	["socket", "screw"]		
Status	Production ready		

**Product number CN12367_LENA-FRESNEL**

Family	Lena	FWHM	8 degrees
Type	RefPack	Efficiency	36 %
LED	CL-L340	cd/lm	9.600
Color	Black	Gerber File	Available
Diameter	111 mm		
Height	87.7 mm		
Style	Round		
Optic Material	PC		
Holder Material	-		
Fastening	["screw", "socket"]		
Status	Production ready		

**Product number C11979_LENA-S**

Family	Lena	FWHM	11 degrees
Type	Reflector	Efficiency	84 %
LED	CL-L340	cd/lm	10.100
Color	Metal	Gerber File	Available
Diameter	111 mm		
Height	80 mm		
Style	Round		
Optic Material	PC		
Holder Material	-		
Fastening	""		
Status	Production ready		

**Product number CN12101_LENA-S**

Family	Lena	FWHM	11 degrees
Type	RefPack	Efficiency	84 %
LED	CL-L340	cd/lm	10.100
Color	Metal	Gerber File	Available
Diameter	111 mm		
Height	86.1 mm		
Style	Round		
Optic Material	-		
Holder Material	-		
Fastening	["screw"]		
Status	Production ready		

**Product number C11979_LENA-S**

Family	Lena	FWHM	14 degrees
Type	Reflector	Efficiency	79 %
LED	CL-L340	cd/lm	8.000
Color	Metal	Gerber File	Available
Diameter	111 mm		
Height	80 mm		
Style	Round		
Optic Material	PC		
Holder Material	-		
Fastening	""		
Status	Production ready		

**Product number CN12112_LENA-S-DL**

Family	Lena	FWHM	14 degrees
Type	RefPack	Efficiency	79 %
LED	CL-L340	cd/lm	8.000
Color	Metal	Gerber File	Available
Diameter	111 mm		
Height	87.7 mm		
Style	Round		
Optic Material	PC		
Holder Material	-		
Fastening	["screw"]		
Status	Production ready		

**Product number C12154_LENA-M**

Family	Lena	FWHM	22 degrees
Type	Reflector	Efficiency	83 %
LED	CL-L340	cd/lm	4.700
Color	Metal	Gerber File	Available
Diameter	111 mm		
Height	80 mm		
Style	Round		
Optic Material	PC		
Holder Material	-		
Fastening	""		
Status	Production ready		

**Product number CN12161_LENA-M**

Family	Lena	FWHM	22 degrees
Type	RefPack	Efficiency	83 %
LED	CL-L340	cd/lm	4.700
Color	Metal	Gerber File	Available
Diameter	111 mm		
Height	86.1 mm		
Style	Round		
Optic Material	-		
Holder Material	-		
Fastening	-		
Status	Production ready		

**Product number C12154_LENA-M**

Family	Lena	FWHM	24 degrees
Type	Reflector	Efficiency	78 %
LED	CL-L340	cd/lm	3.800
Color	Metal	Gerber File	Available
Diameter	111 mm		
Height	80 mm		
Style	Round		
Optic Material	PC		
Holder Material	-		
Fastening	""		
Status	Production ready		

**Product number CN12166_LENA-M-DL**

Family	Lena	FWHM	24 degrees
Type	RefPack	Efficiency	78 %
LED	CL-L340	cd/lm	3.800
Color	Metal	Gerber File	Available
Diameter	111 mm		
Height	86.1 mm		
Style	Round		
Optic Material	PC		
Holder Material	-		
Fastening	["screw"]		
Status	Production ready		

**Product number C11980_LENA-W**

Family	Lena	FWHM	45 degrees
Type	Reflector	Efficiency	75 %
LED	CL-L340	cd/lm	1.400
Color	Metal	Gerber File	Available
Diameter	111 mm		
Height	80 mm		
Style	Round		
Optic Material	PC		
Holder Material	-		
Fastening	""		
Status	Production ready		

**Product number CN12113_LENA-W-DL**

Family	Lena	FWHM	45 degrees
Type	RefPack	Efficiency	75 %
LED	CL-L340	cd/lm	1.400
Color	Metal	Gerber File	Available
Diameter	111 mm		
Height	87.7 mm		
Style	Round		
Optic Material	PC		
Holder Material	-		
Fastening	["screw"]		
Status	Production ready		



PRODUCT DATASHEET

Lena series

last update 23/2/2014

NOTE: The typical divergence will be changed by different color, chip size and chip position tolerance. The typical total divergence is the full angle measured where the luminous intensity is half of the peak value.



PRODUCT DATASHEET

Lena series

last update 23/2/2014

GENERAL INFORMATION

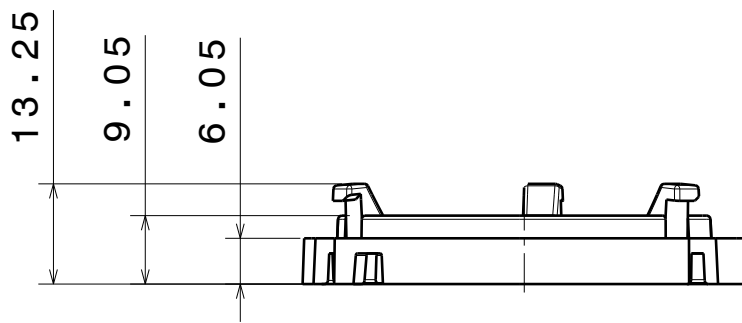
- Product series especially designed & optimized for CL-L340 series of LEDs.
- Special care taken to make light distribution as uniform as possible.
- Reflector is made of aluminium coated PC (120 degrees of Celcius / 248 degrees of Fahrenheit) with protective lacquer (short term 100 degrees of Celcius / 212 degrees of Fahrenheit).
- Optic holder molded by high quality PC material (120 dergees of Celcius / 248 degrees of Fahrenheit).

H

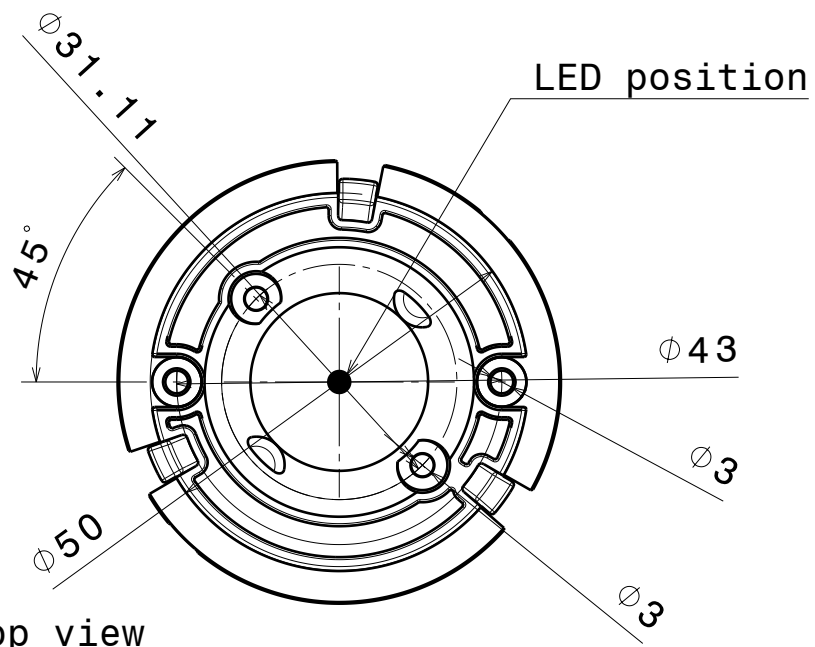
G

F

E



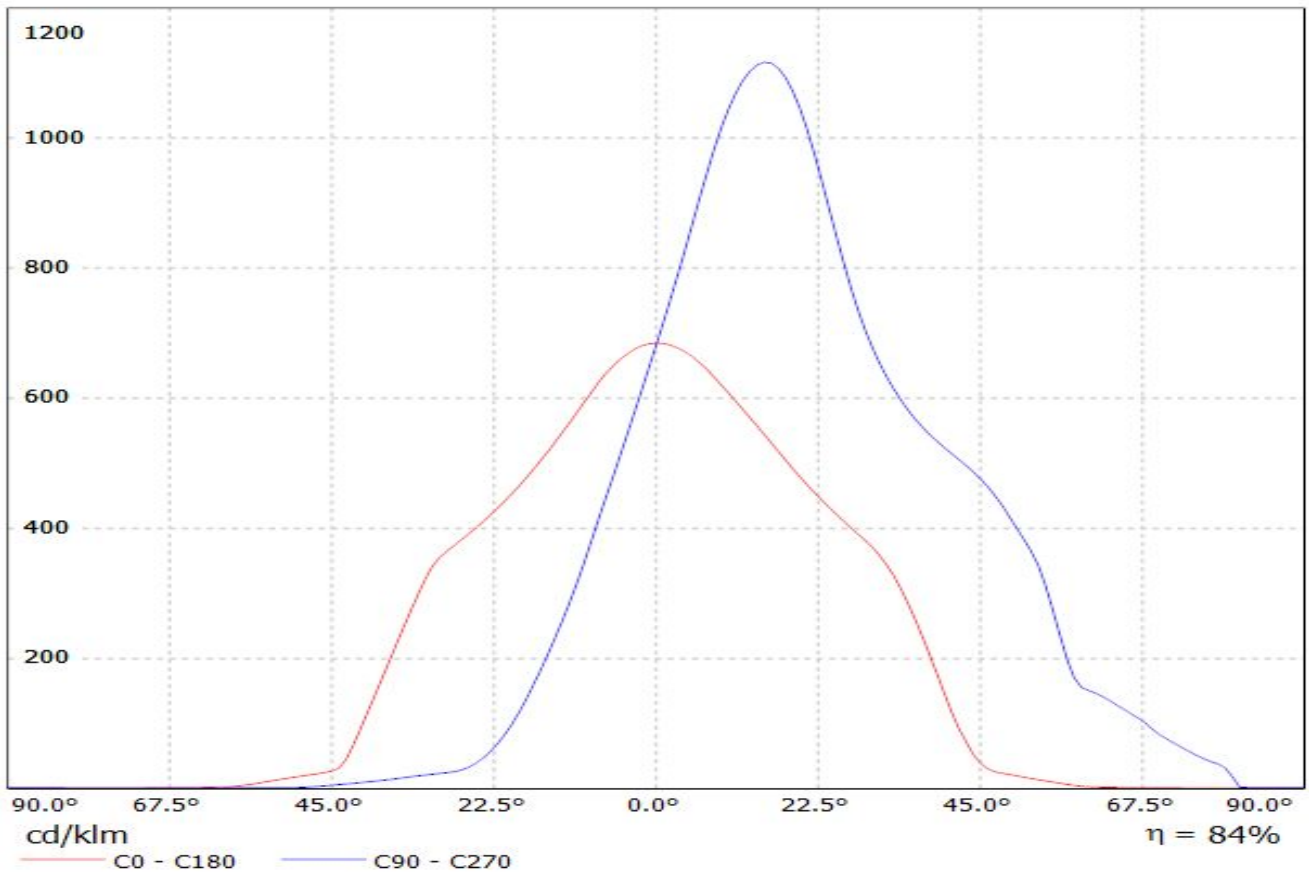
Ison



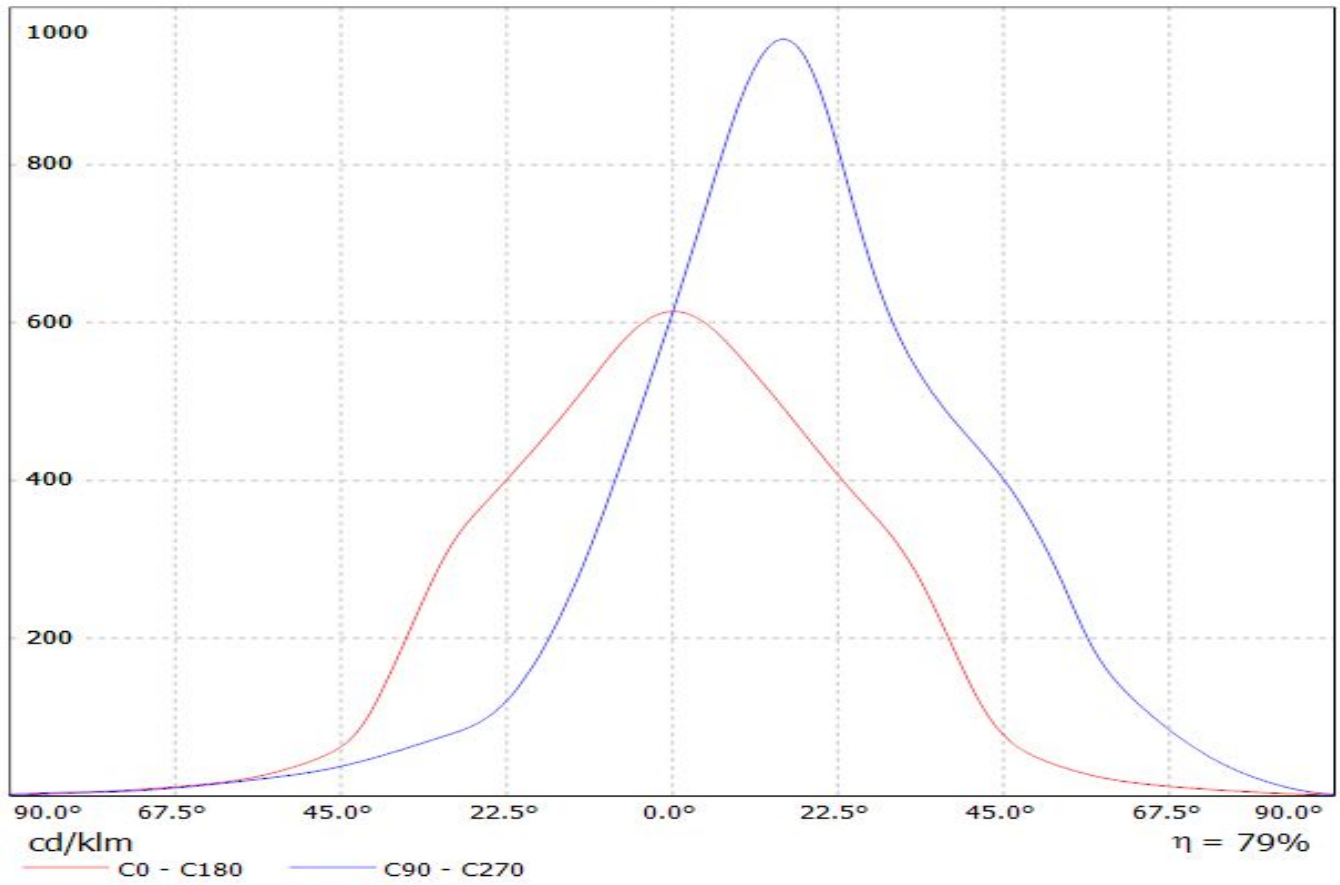
H

G

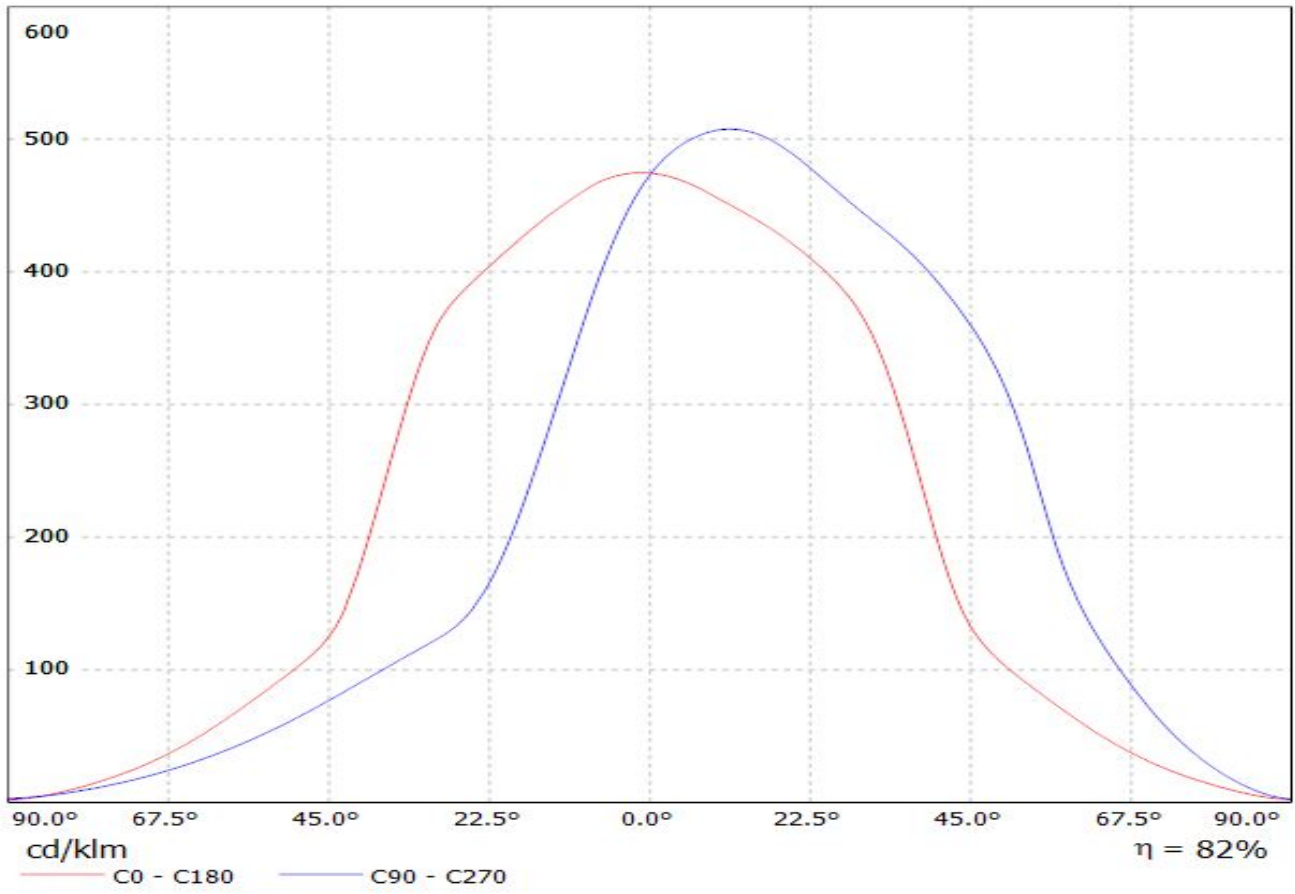
Luminaire: LEDiL Oy CN13158_LENA-WAS_(CL-L340) Eff.83.7%
Lamps: 1 x CL-L340 (929.39lm@250mA)



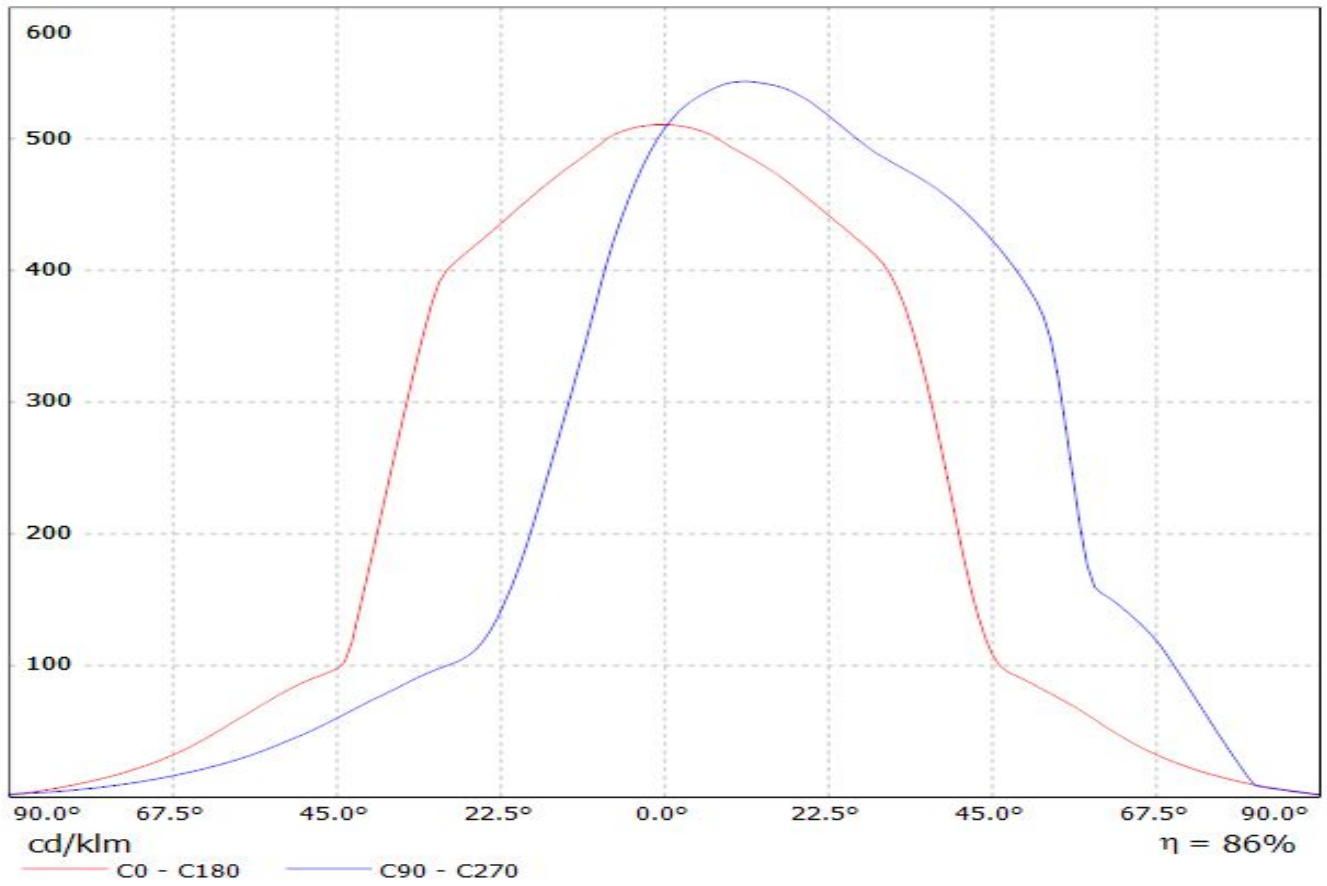
Luminaire: LEDiL Oy CN13168_LENA-WAS-DL_(CL-L340) Eff.79.2%
Lamps: 1 x CL-L340 (929.39lm@250mA)



Luminaire: LEDiL Oy CN13373_LENA-X-WAS-DL_(CL-L340) Eff.82.2%
Lamps: 1 x CL-L340 (929.39lm@250mA)

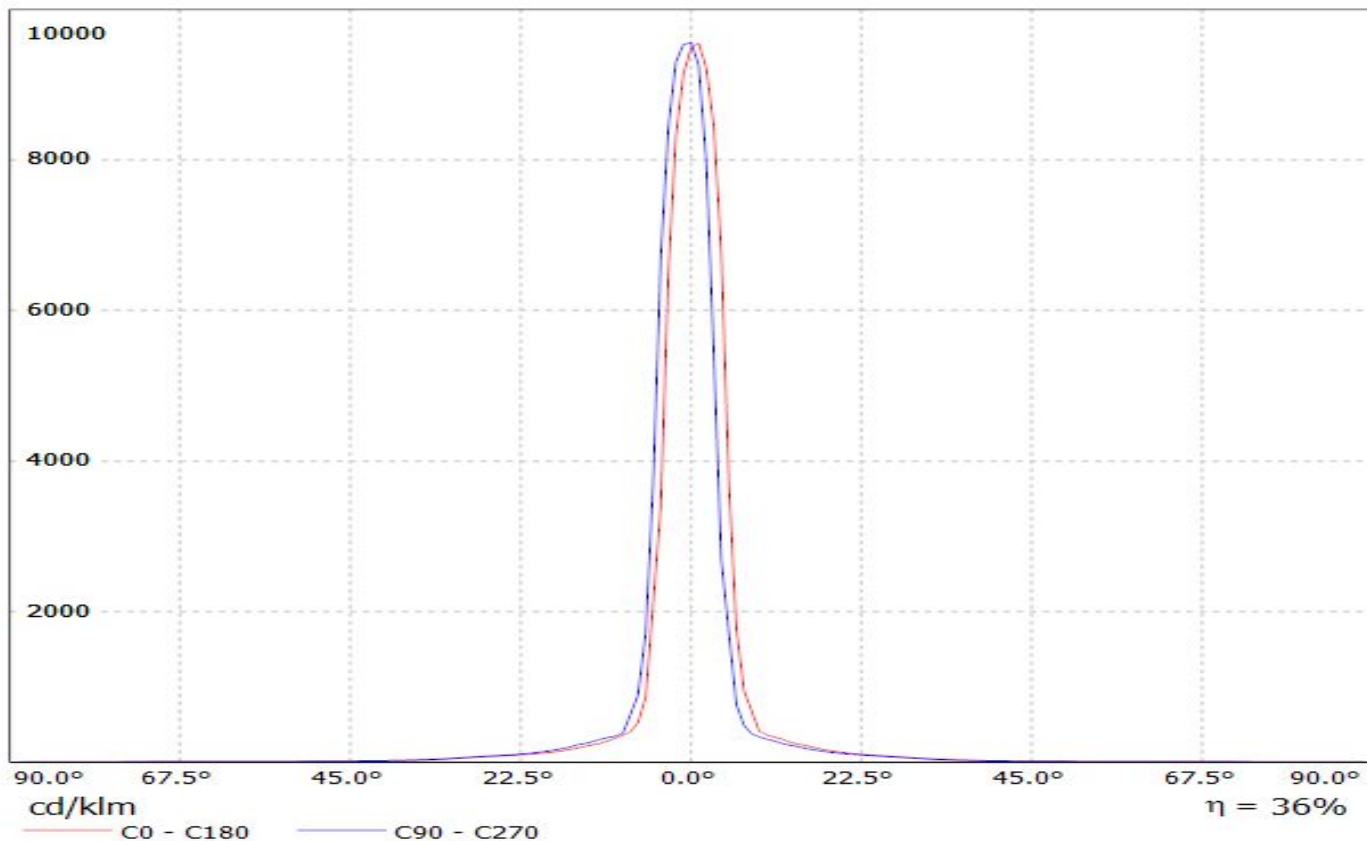


Luminaire: LEDiL Oy CN13374_LENA-X-WAS_(CL-L340) Eff.86.3%
Lamps: 1 x CL-L340 (929.39lm@250mA)

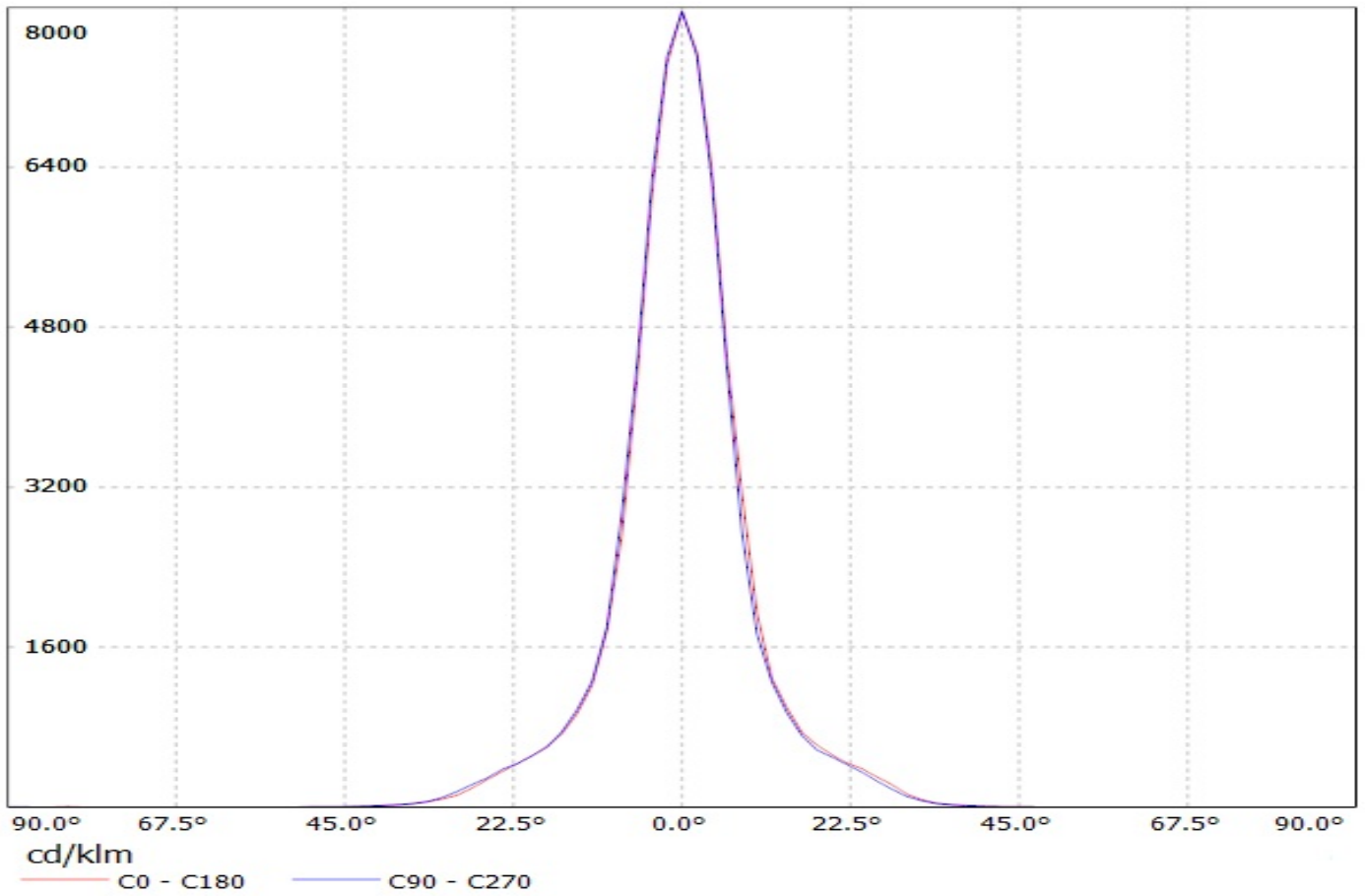


LEDiL Oy CN12367_LENA-FRESNEL-CL-L340 Eff.36.1% / LDC (Linear)

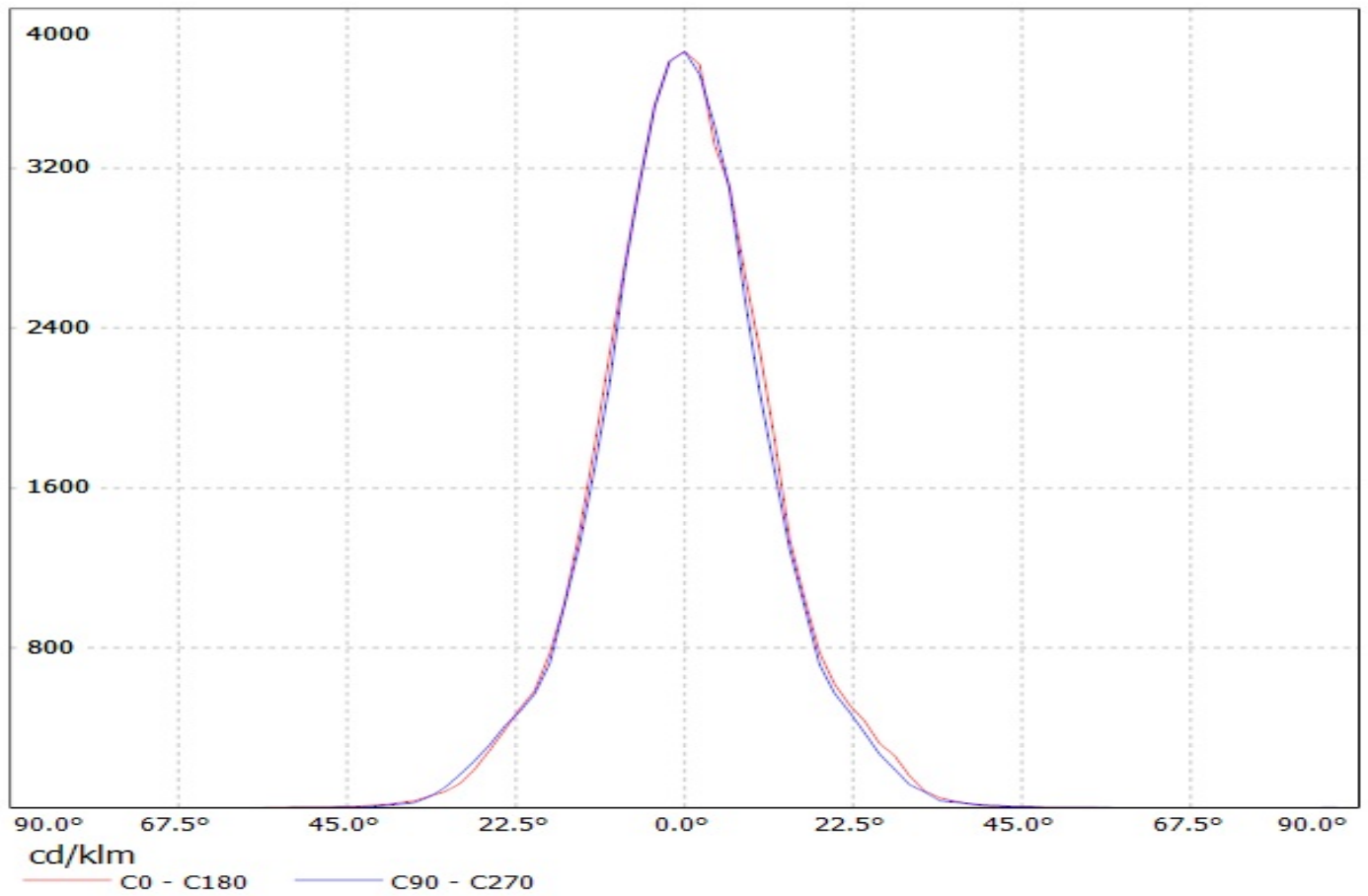
Luminaire: LEDiL Oy CN12367_LENA-FRESNEL-CL-L340 Eff.36.1%
Lamps: 1 x Citizen CL-340 (1151.01lm@250mA)



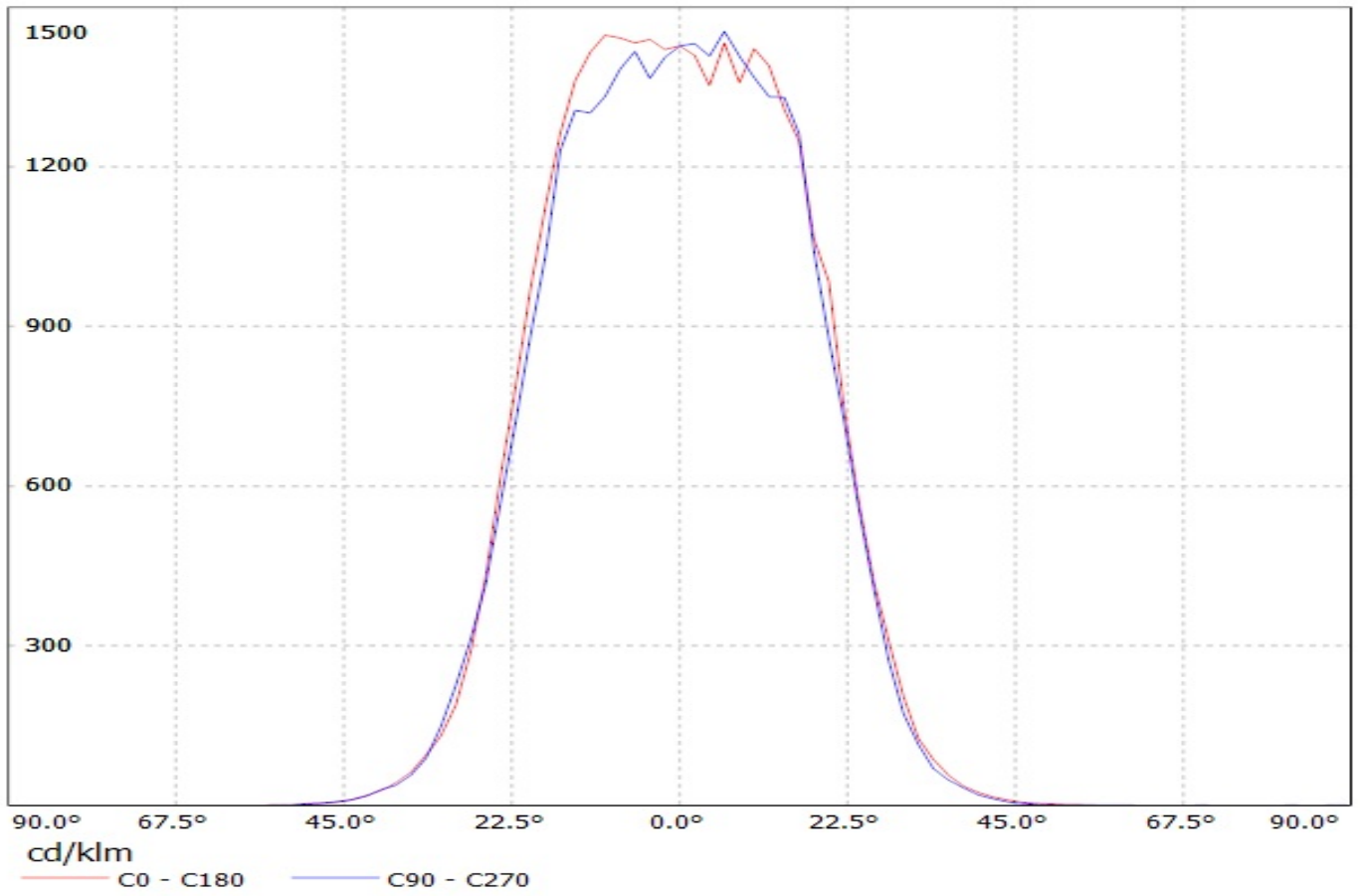
Luminaire: Ledil Oy CN12112_LENA-S-DL (Citizen CL-L340 1393lm @ 250mA) Efficiency=79%
Lamps: 1 x Citizen CL-L340 1393lm @ 250mA



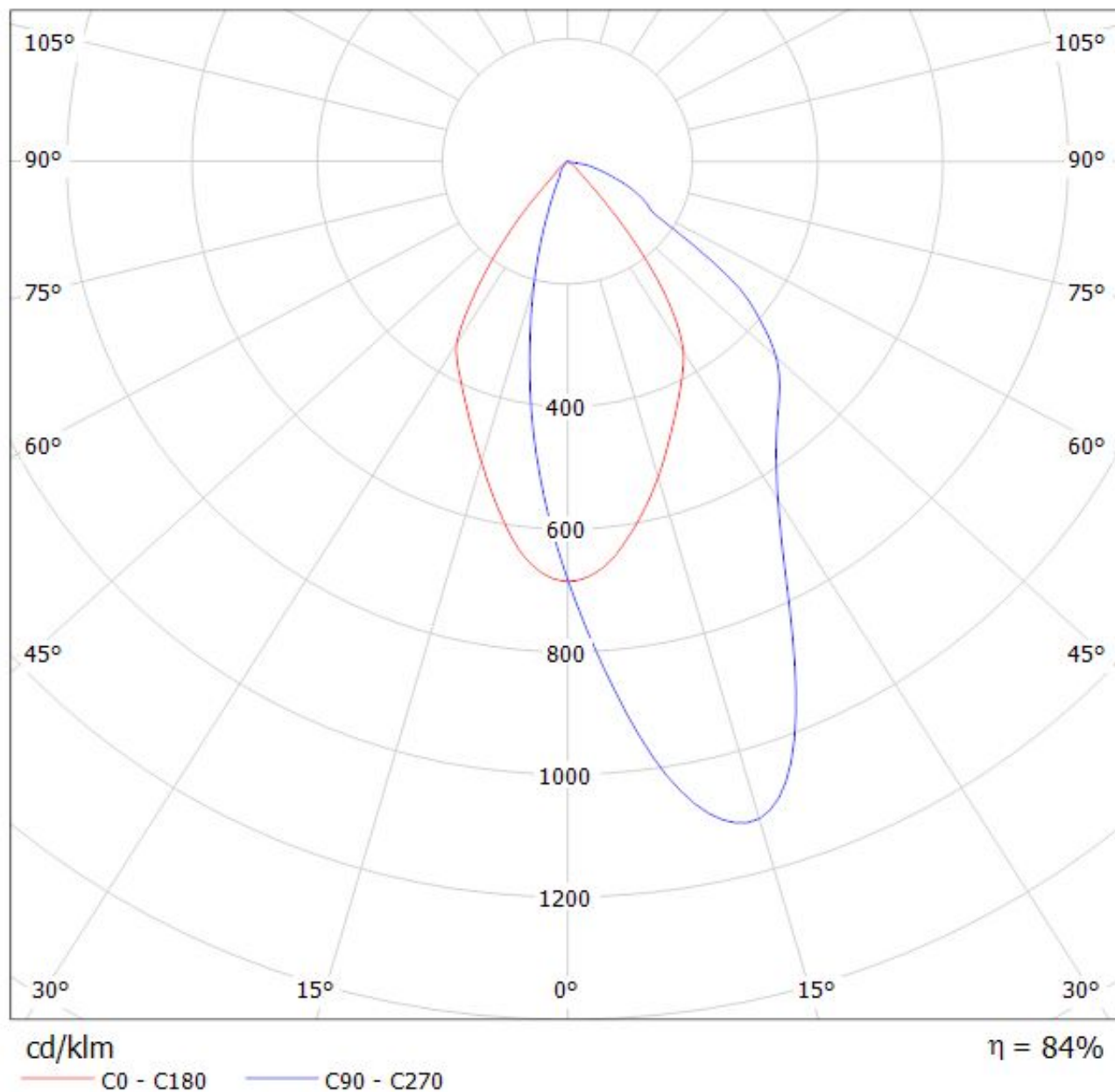
Luminaire: Ledil Oy CN12166_LENA-M-DL (Citizen CL-L340 1393lm @ 250mA) Efficiency=78%
Lamps: 1 x Citizen CL-L340 1393lm @ 250mA



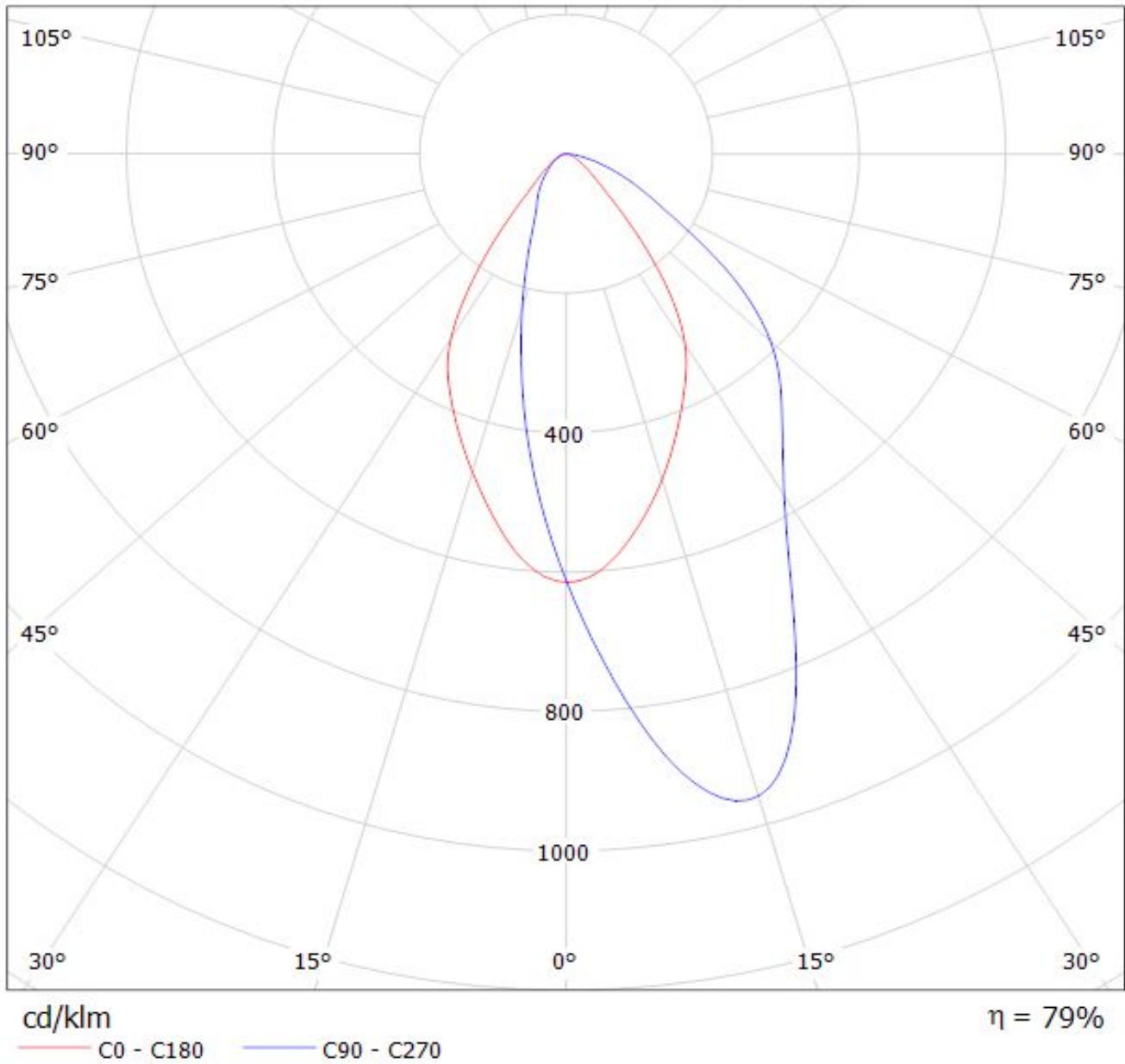
Luminaire: Ledil Oy CN12113_LENA-W-DL (Citizen CL-L340 1393lm @ 250mA) Efficiency=75%
Lamps: 1 x Citizen CL-L340 1393lm @ 250mA



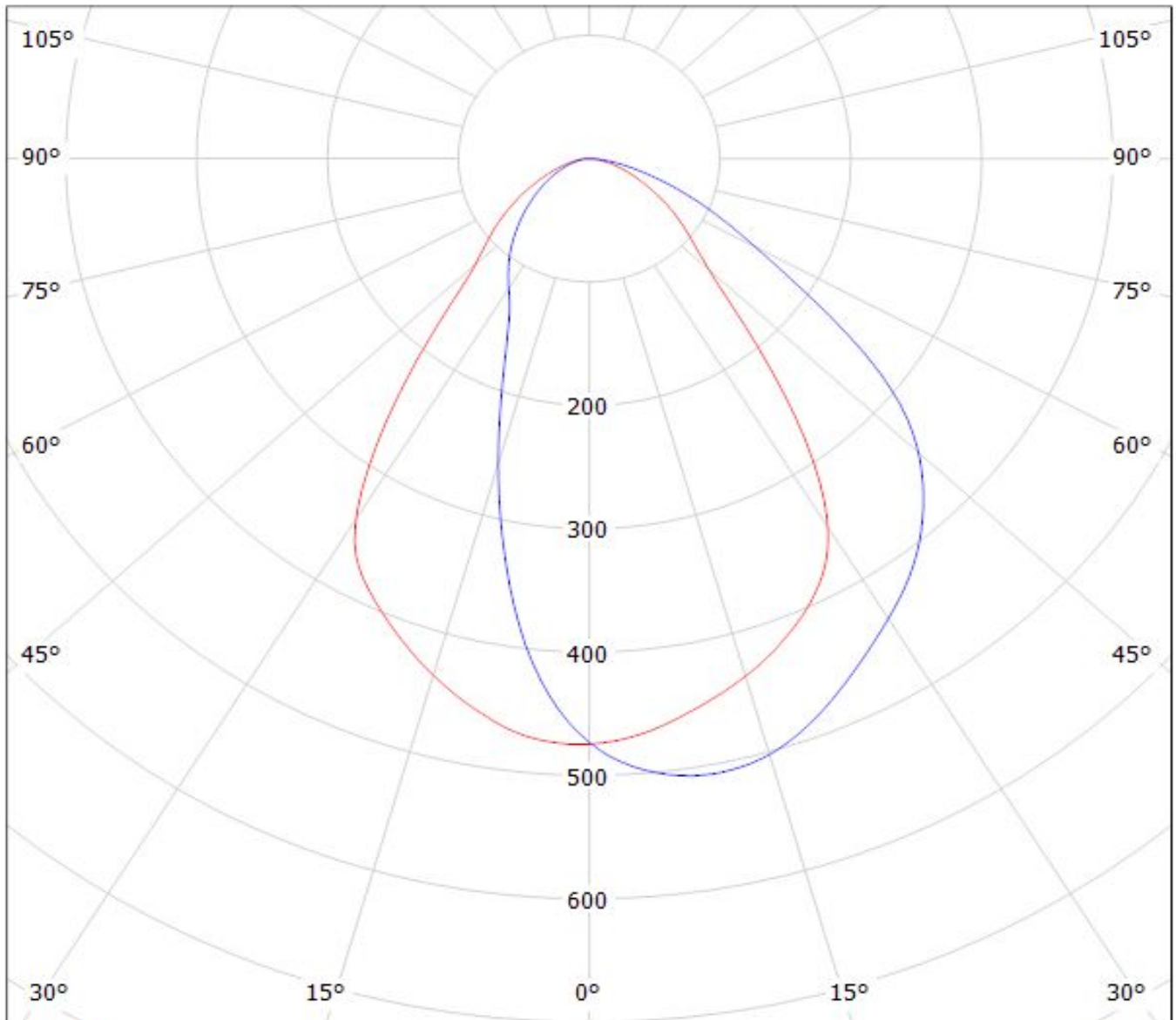
Luminaire: LEDiL Oy CN13158_LENA-WAS_(CL-L340) Eff.83.7%
Lamps: 1 x CL-L340 (929.39lm@250mA)



Luminaire: LEDiL Oy CN13168_LENA-WAS-DL_(CL-L340) Eff.79.2%
Lamps: 1 x CL-L340 (929.39lm@250mA)



Luminaire: LEDiL Oy CN13373_LENA-X-WAS-DL_(CL-L340) Eff.82.2%
Lamps: 1 x CL-L340 (929.39lm@250mA)

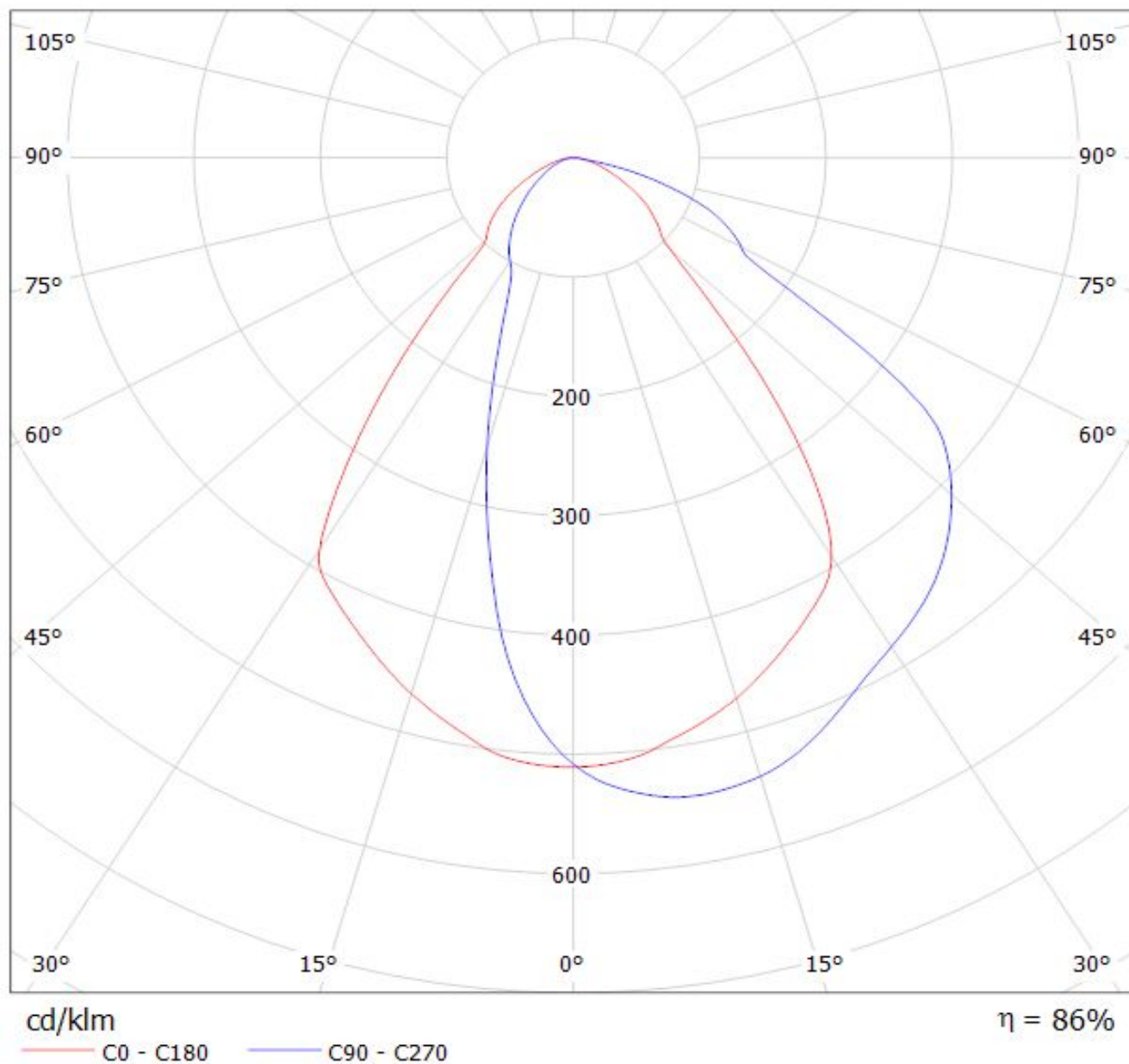


cd/klm

$\eta = 82\%$

— C0 - C180 — C90 - C270

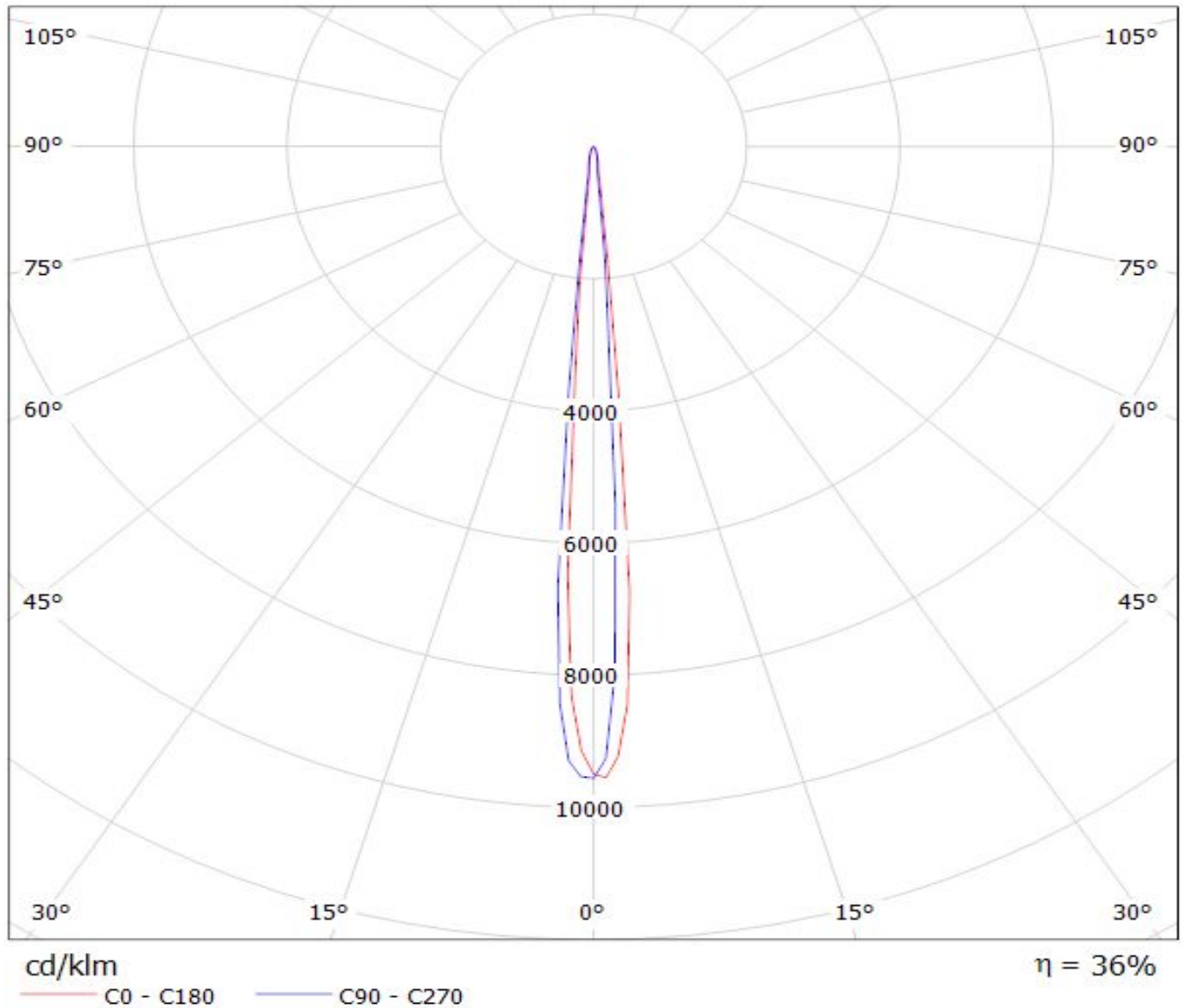
Luminaire: LEDiL Oy CN13374_LENA-X-WAS_(CL-L340) Eff.86.3%
Lamps: 1 x CL-L340 (929.39lm@250mA)



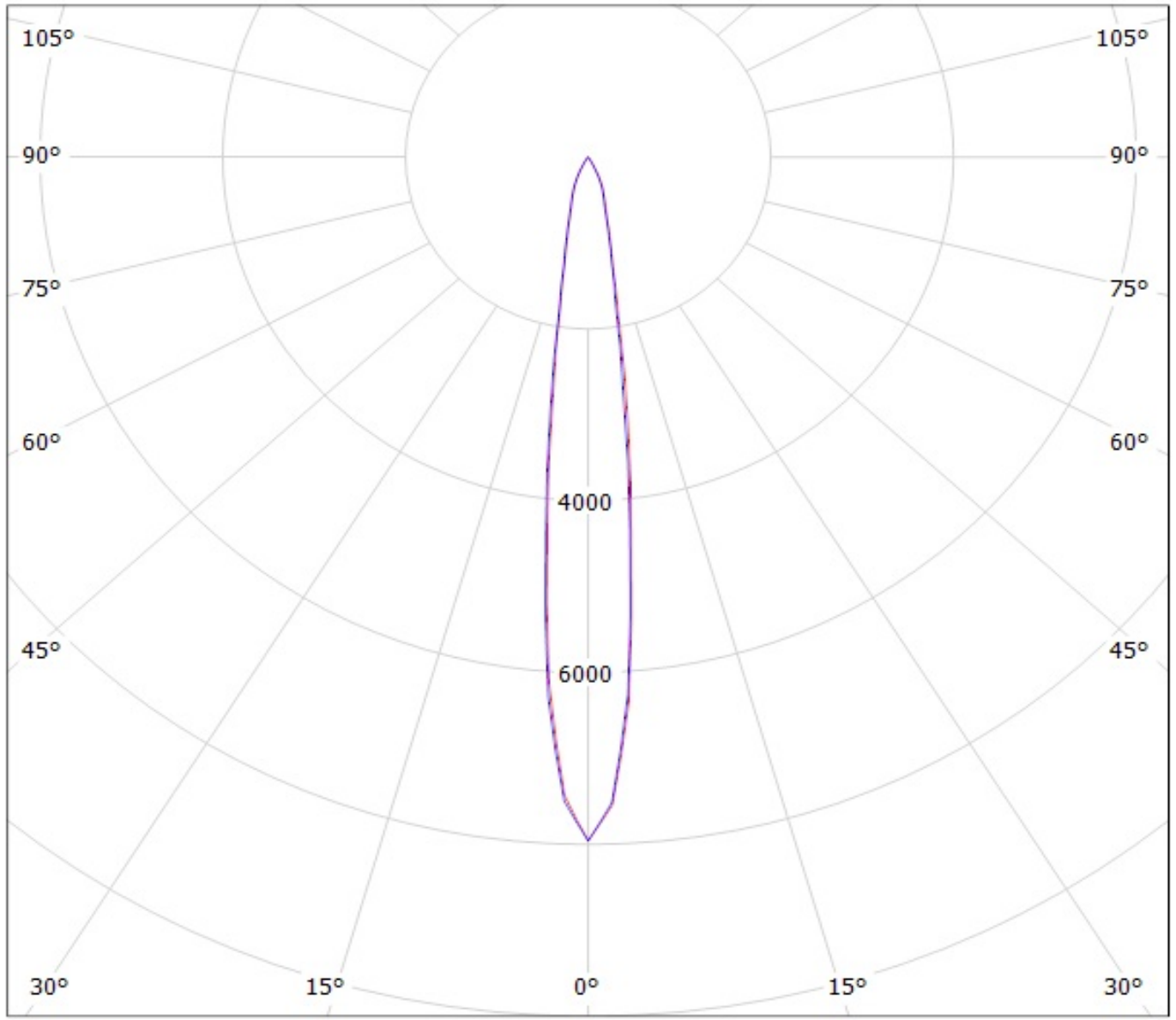
LEDiL Oy CN12367_LENA-FRESNEL-CL-L340 Eff.36.1% / LDC (Polar)

Luminaire: LEDiL Oy CN12367_LENA-FRESNEL-CL-L340 Eff.36.1%

Lamps: 1 x Citizen CL-340 (1151.01lm@250mA)



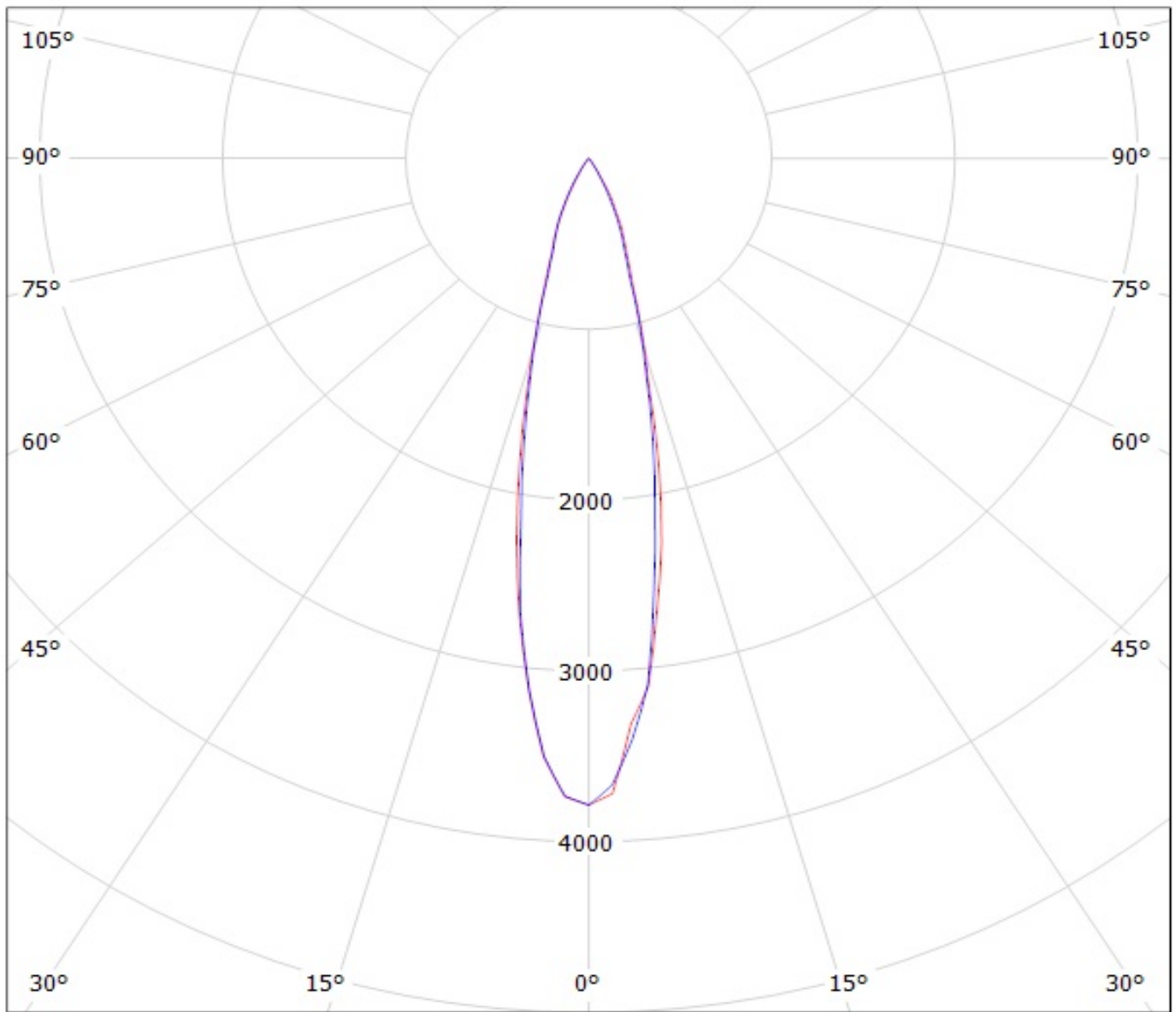
Luminaire: Ledil Oy CN12112_LENA-S-DL (Citizen CL-L340 1393lm @ 250mA) Efficiency=79%
Lamps: 1 x Citizen CL-L340 1393lm @ 250mA



cd/klm

— C0 - C180 — C90 - C270

Luminaire: Ledil Oy CN12166_LENA-M-DL (Citizen CL-L340 1393lm @ 250mA) Efficiency=78%
Lamps: 1 x Citizen CL-L340 1393lm @ 250mA



cd/klm

— C0 - C180

— C90 - C270

Luminaire: Ledil Oy CN12113_LENA-W-DL (Citizen CL-L340 1393lm @ 250mA) Efficiency=75%
Lamps: 1 x Citizen CL-L340 1393lm @ 250mA

