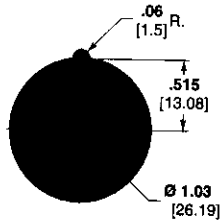
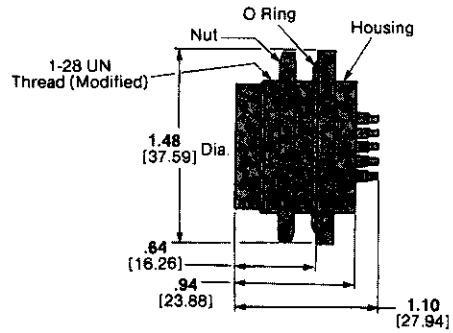


7-Pin, Metal-Shell Circular Connectors, Military-Type (Continued)

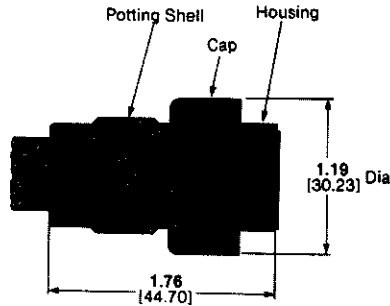
Plastic Shell



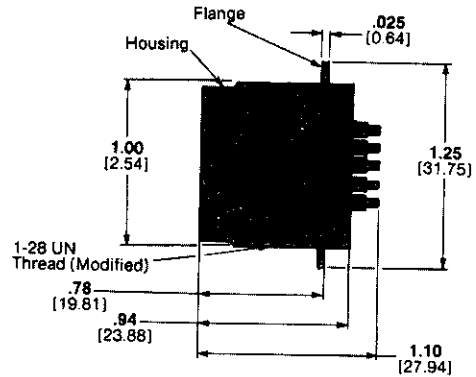
Panel Cutout for Receptacles



Potted Receptacle
Part Number 861999-1 (Non-hermetic)
Part Number 862794-1 (Hermetic Seal)

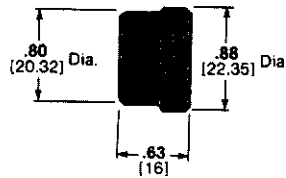


Potted Plug Kit
Part Number 865594-1

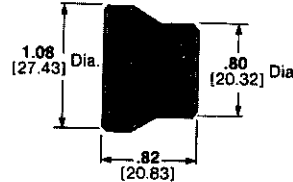


Receptacle for Hermetic Seal, Solder-Flange-Mount
Part Number 862005-1

Potting Shells

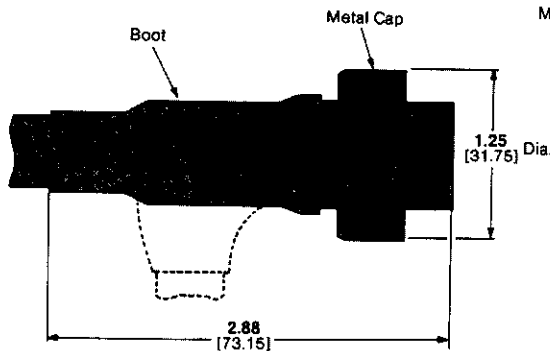


Plug Potting Shell
Part Number 862544-1

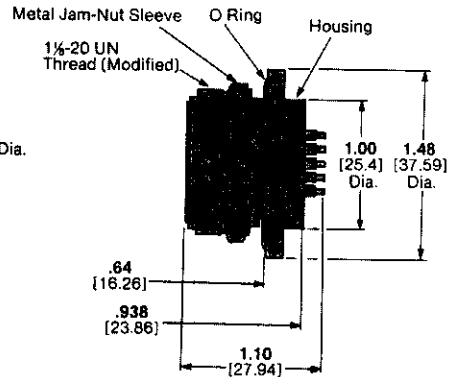


Receptacle Potting Shell
Part Number 862256-1

Metal Shell



Plug Kit
Part Number 865656-1 (Straight Boot)
Part Number 865656-2 (Right-Angle Boot)
Part Number 865656-3 (No Boot)



Receptacle
Part Number 862004-1 (Non-hermetic)
Part Number 866182-1 (Hermetic Seal)

High Voltage Connectors