

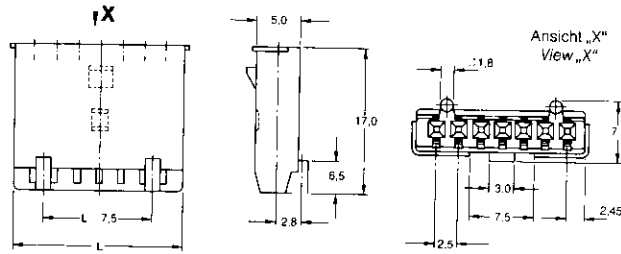
### Gehäuse für Gabelkontakte, polarisiert

Das Gehäusematerial wird durch die Vorstrichzahl angegeben:

- 1- = Polystyrol UL 94 V-2
- 2- = Polystyrol UL 94 V-1
- 3- = Makrolon UL 94 V-0
- 6- = Noryl UL 94 V-0-150

#### Max. Gebrauchstemperatur:

- 1- = max. 65 °C
- 2- = max. 65 °C
- 3- = max. 115–130 °C
- 6- = max. 140 °C



Polzahl/ 2,5 mm	No. of Pos. 5,0 mm	Rastloch Locking Feature	Bestell-Nummern Part Numbers			L <sub>max.</sub> mm
3	2	●	1-164541-x	2-164541-x	3-164541-x	10,0
4	-	●	1-164542-x	2-164542-x	3-164542-x	12,5
5	3	●	1-164543-x	2-164543-x	3-164543-x	15,0
6	-	●	1-164544-x	2-164544-x	3-164544-x	17,5
7	4	●	1-164545-x	2-164545-x	3-164545-x	20,0
8	-	●	1-164546-x	2-164546-x	3-164546-x	22,5
9	5	●	1-164547-x	2-164547-x	3-164547-x	25,0
10	-	-	1-164548-x	2-164548-x	3-164548-x	27,5
11	6	-	1-164549-x	2-164549-x	3-164549-x	30,0
12	-	-	1-164550-x	2-164550-x	3-164550-x	32,5
13	7	-	1-164551-x	2-164551-x	3-164551-x	35,0
14	-	-	1-164552-x	2-164552-x	3-164552-x	37,5
15	8	-	1-164553-x	2-164553-x	3-164553-x	40,0
16	-	-	1-164670-x	2-164670-x	3-164670-x	42,5

#### Anmerkung:

Die Strichzahl (-x) der Bestell-Nr. bestimmt die Farbe:

-2 = rot, -5 = grün, -6 = blau, -9 = schwarz

#### Note:

Colors are designated by suffix numbers (-x):

-2 = red, -5 = green, -6 = blue, -9 = black

### Female on Wire (FOW) Connector Housings, Polarized

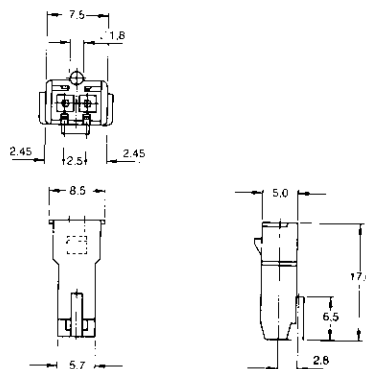
Housing materials are designated by prefix numbers:

- 1- = Polystyrol UL 94 V-2
- 2- = Polystyrol UL 94 V-1
- 3- = Makrolon UL 94 V-0
- 6- = Noryl UL 94 V-0-150

#### Application Temperature max.:

- 1- = 65 °C max.
- 2- = 65 °C max.
- 3- = 115–130 °C max.
- 6- = 140 °C max.

### Gehäuse für Gabelkontakte, polarisiert, 2polig



Polzahl No. of Positions	Bestell-Nummer Part Number	Gehäusematerial Housing Material	Brennbarkeit Flammability
2	1-164540-x	Polystyrol	UL 94 V-2
2	2-164540-x	Polystyrol	UL 94 V-0
2	3-164540-x	Makrolon	UL 94 V-0
2	6-164540-2	Noryl 150	UL 94 V-0

#### Anmerkung:

Die Strichzahl (-x) der Bestell-Nr. bestimmt die Farbe:

-2 = rot, -5 = grün, -6 = blau, -9 = schwarz

#### Note:

Colors are designated by suffix numbers (-x):

-2 = red, -5 = green, -6 = blue, -9 = black

### Female on Wire (FOW) Connector Housings, Polarized, 2 Position