

# SAC-3P-M12MS-M 8FS - Adapter



1519752

<https://www.phoenixcontact.com/us/products/1519752>

Please be informed that the data shown in this PDF document is generated from our Online Catalog. Please find the complete data in the user documentation. Our General Terms of Use for Downloads are valid.

Adapter, 3-position, Plug straight M12, coding: A, on Socket straight M8, coding: A



## Commercial Data

Item number	1519752
Packing unit	1 pc
Minimum order quantity	5 pc
Sales Key	BF10
Product Key	BF1GBA
Catalog Page	Page 254 (C-2-2019)
GTIN	4046356019941
Weight per Piece (including packing)	12.9 g
Weight per Piece (excluding packing)	11.65 g
Customs tariff number	85366990
Country of origin	DE

# SAC-3P-M12MS-M 8FS - Adapter



1519752

<https://www.phoenixcontact.com/us/products/1519752>

## Technical Data

### Product properties

Product type	M8/M12 adapters
Number of positions	3
No. of cable outlets	1
Coding	A

### Insulation characteristics

Overvoltage category	II
Degree of pollution	3

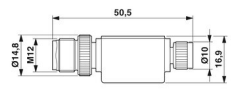
### Electrical properties

Contact resistance	$\leq 5 \text{ m}\Omega$
Insulation resistance	$\geq 100 \text{ M}\Omega$
Nominal voltage $U_N$	48 V AC 60 V DC
Nominal current $I_N$	4 A

### Signaling

Status display	No
Status display present	No

### Dimensions

Dimensional drawing	
Width	17 mm
Height	14.8 mm
Length	50.5 mm

### Material specifications

Flammability rating according to UL 94	HB
Seal material	NBR
Material of grip body	TPU, hardly inflammable, self-extinguishing
Contact material	CuSn
Contact surface material	Ni/Au
Contact carrier material	TPU GF
Material for screw connection	Zinc die-cast, nickel-plated

### Connector

Connection 1

# SAC-3P-M12MS-M 8FS - Adapter



1519752

<https://www.phoenixcontact.com/us/products/1519752>

Type	Plug straight M12
Number of positions	3
Coding type	A
Number of positions	3

## Connection 2

Type	Socket straight M8
Number of positions	3
Coding type	A
Number of positions	3

## Mechanical properties

### Mechanical data

Insertion/withdrawal cycles	≥ 100
-----------------------------	-------

## Environmental and real-life conditions

### Ambient conditions

Degree of protection	IP65
	IP67
Ambient temperature (operation)	-25 °C ... 90 °C

## Standards and regulations

Standard designation	M12 connector
Standards/specifications	IEC 61076-2-101
Standard designation	M8 connector
Standards/specifications	IEC 61076-2-104

# SAC-3P-M12MS-M 8FS - Adapter

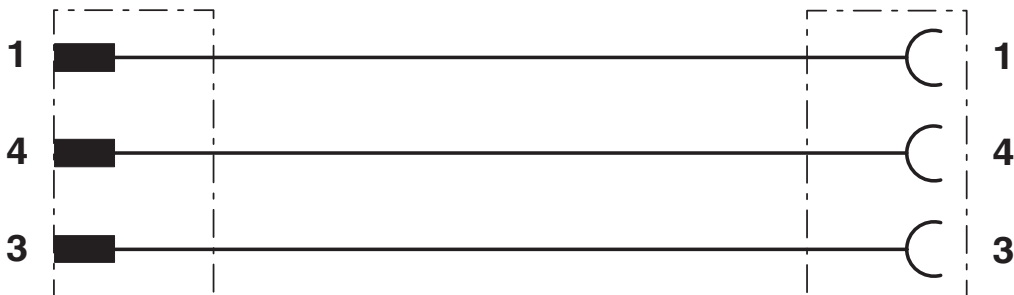


1519752

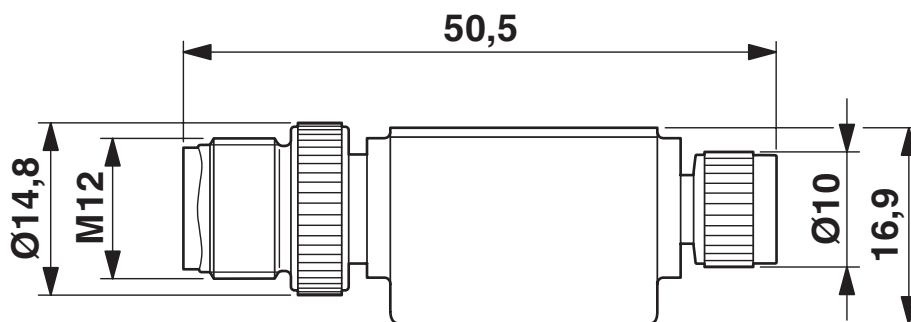
<https://www.phoenixcontact.com/us/products/1519752>

## Drawings

Circuit diagram



Dimensional drawing



M8/M12 adapter

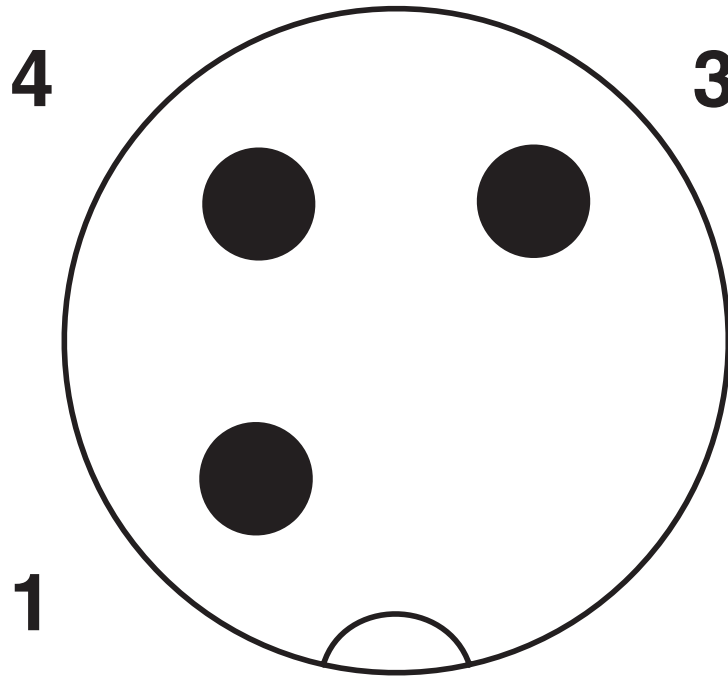
# SAC-3P-M12MS-M 8FS - Adapter

1519752

<https://www.phoenixcontact.com/us/products/1519752>

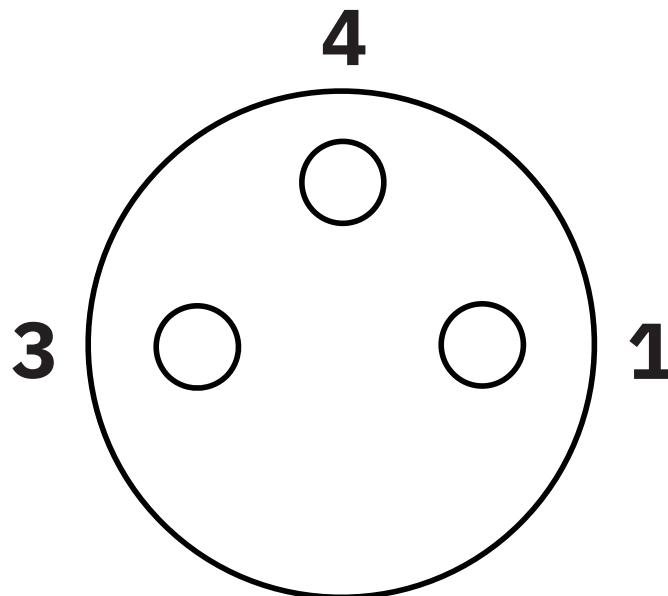


Schematic diagram



Pin assignment M12 plug, 3-pos., A-coded, view male side

Schematic diagram



Pin assignment M8 socket, 3-pos., view female side

# SAC-3P-M12MS-M 8FS - Adapter



1519752

<https://www.phoenixcontact.com/us/products/1519752>

## Approvals

To download certificates, visit the product detail page: <https://www.phoenixcontact.com/us/products/1519752>



### EAC

Approval ID: RU C-DE.AI30.B.01102



### EAC

Approval ID: EAC-Zulassung



### UL Listed

Approval ID: E221474

	Nominal Voltage $U_N$	Nominal Current $I_N$	Cross Section AWG	Cross Section $\text{mm}^2$
	30 V	4 A	-	-



### cUL Listed

Approval ID: E221474

	Nominal Voltage $U_N$	Nominal Current $I_N$	Cross Section AWG	Cross Section $\text{mm}^2$
	30 V	4 A	-	-

### cULus Listed

# SAC-3P-M12MS-M 8FS - Adapter



1519752

<https://www.phoenixcontact.com/us/products/1519752>

## Classifications

### ECLASS

ECLASS-11.0	27440106
ECLASS-12.0	27440106
ECLASS-13.0	27440106

### ETIM

ETIM 8.0	EC002925
----------	----------

### UNSPSC

UNSPSC 21.0	31251500
-------------	----------

# SAC-3P-M12MS-M 8FS - Adapter



1519752

<https://www.phoenixcontact.com/us/products/1519752>

## Environmental Product Compliance

China RoHS	Environmentally friendly use period: unlimited = EFUP-e
	No hazardous substances above threshold values



# SAC-3P-M12MS-M 8FS - Adapter

1519752

<https://www.phoenixcontact.com/us/products/1519752>



## Accessories

### PROT-M12 FS - Sealing cap

1560251

<https://www.phoenixcontact.com/us/products/1560251>



M12 sealing cap for unoccupied M12 plugs of the sensor/actuator cable, flush-type plugs and I/O devices in the field

---

### TSD 04 SAC - Torque screwdriver

1208429

<https://www.phoenixcontact.com/us/products/1208429>



Torque screwdriver, with preset torque of 0.4 Nm and 4 mm hexagonal drive for M12 connectors

# SAC-3P-M12MS-M 8FS - Adapter

1519752

<https://www.phoenixcontact.com/us/products/1519752>



## SAC BIT M12-D15 - Tool

1208432

<https://www.phoenixcontact.com/us/products/1208432>



Nut for assembling sensor/actuator cables with M12 connector and M12 connectors for assembly, with a knurl diameter of 15 mm, for 4 mm hexagonal drive

---

## TSD 02 SAC - Torque screwdriver

1208487

<https://www.phoenixcontact.com/us/products/1208487>



Torque screwdriver, with preset torque of 0.2 Nm and 4 mm hexagonal drive for M8 connectors

# SAC-3P-M12MS-M 8FS - Adapter

1519752

<https://www.phoenixcontact.com/us/products/1519752>



## SAC BIT M8-D10 - Tool

1208461

<https://www.phoenixcontact.com/us/products/1208461>



Nut for assembling M8 connectors with longitudinal knurl and a knurl diameter of 10 mm, for 4 mm hexagonal drive

---

Phoenix Contact 2023 © - all rights reserved

<https://www.phoenixcontact.com>

Phoenix Contact USA  
586 Fulling Mill Road  
Middletown, PA 17057, United States  
(+717) 944-1300  
[info@phoenixcon.com](mailto:info@phoenixcon.com)