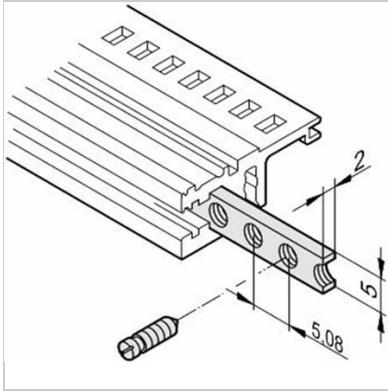




# Threaded strip



**Catalog Number:** 34561-384

[Back To Product](#)

- The collar screws used for fixing partial-width front panels must be 12.3 mm long
- Usable for all horizontal rails

**Product family:**

- EuropacPRO
- RatiopacPRO
- PropacPRO
- CompacPRO

**Type:**

Individual Components

**Individual Component Type:**

Horizontal Rails & Accessories

**Standard pack quantity (SPQ):**

Please take into consideration that deliveries may be carried out in the stated SPQs (SPQ, e.g. 5 pieces, 10 pieces, 50 pieces, etc.). Differing order quantities (e.g. 2 pieces) may be changed to the next possible delivery quantity = Standard Pack Quantity.



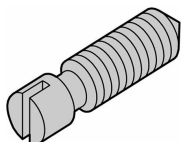
## Technical Data

Thread	M2,5
Length mm	431.3
Qty	1 piece (SPQ 10)
Delivery is exclusively made in Standard Pack Quantity (SPQ)	10
Material	Steel

## Delivery Comprises:

Item	Quantity	Description
1	1	Threaded insert, St, zinc-plated, height 5 mm, depth 2 mm, M 2.5 thread

## Accessories



Grub screw (M2.5x8), steel nickel plated, PU 100 pieces

21100-276

Add Item to Project List +

Select product specifications before modifying or adding to project list or requesting a quote.

Length mm

431.3

[Clear Selection](#)

\* Country / Region

United States

Quantity

1

Add Item to Project List +

## Documents



Main Catalog - RatiopacPRO



Main Catalog - CompacPRO



Main Catalog - PropacPRO



Main Catalog - EuropacPRO

## Links



Native CAD files

**EXPLORE**

- About Us
- Services & Capabilities
- News & Events
- Newsletter Subscriptions
- Strategic Partnerships
- Investor Relations

**CONTACT**

- Customer Service
- Find a Sales Office or Distributor
- Global Locations
- Product Compliance & Certifications
- Partner Login

**DOWNLOAD**

- Download Center
- Reference Projects
- Videos
- Product Configurators
- Warranties and Terms of Sale & Procurement

© 2020 nVent. All rights reserved | [Privacy Policy](#) | [Terms of Use](#) | [Cookie Policy](#) | [Imprint](#) | [Site Map](#)

Connect With Us

