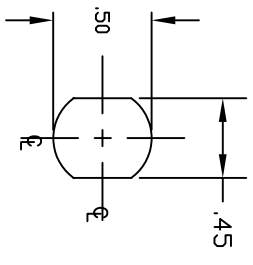
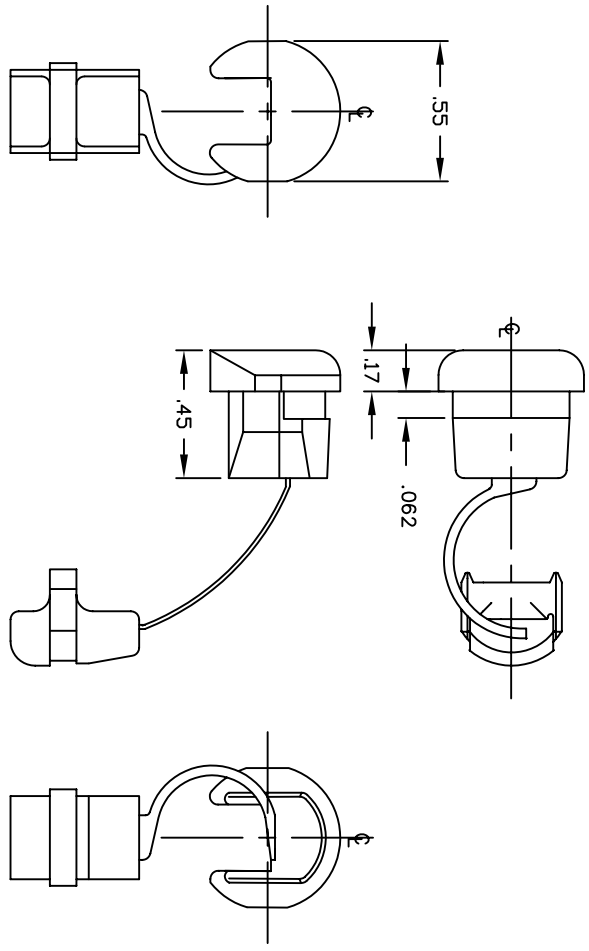


REVISIONS			
SYM	DESCRIPTION	REVISED BY	DATE APPR



MOUNTING HOLE

MATERIAL: NYLON TYPE 6/6		FINISH: BLACK	
DIMENSIONAL TOLERANCES UNLESS OTHERWISE SPECIFIED		TITLE: 939	
.XX	.XXX	WIRE STRAIN RELIEF-BUSHING (STRAIGHT THRU)	
---	---	Electronic Connectors and Hardware	
FRACTIONS	ANGLES	632 Arch Street, Meadville, Pa. 16335	
---	---	NONE	
HEAT TREAT:	---	DRAWN: Y. SWISHER	DATE: 2-3-98
PLAT SCALE:	1=1	CHECKED: E. MCKINNEY	DATE: 4-13-98
		APPROVED: G. TERRILL	DATE: 4-13-98
SIZE	DRAWING NUMBER	ISSUE	
B	SD-939	A	

ABBATRON