

# 7.4 x 3.4 x 1.8 mm SMD CERAMIC RESONATOR

AWSZT



7.4 x 3.4 x 1.8 mm

**AWSZT-MGD**

Pb in ceramic  
(exempt per RoHS 2002/95/EC Annex (7)) **RoHS Compliant**

**Obselete/End of Life Date: 10/26/2016 - Please consider AWSZT-CP as an alternative**

## FEATURES:

- Low resonant impedance
- IR reflow capable
- Low cost

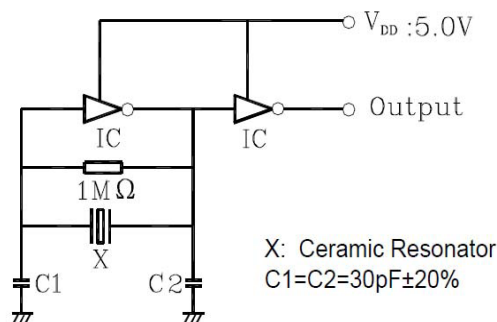
## APPLICATIONS:

- Remote controls, Microprocessor clocks, Mobile phones, DVD & CD-Roms, Electric appliances
- Consumer electronics

## ELECTRICAL CHARACTERISTICS:

| Parameters                                | Minimum          | Typical | Maximum | Units | Notes               |
|---|------------------|---------|---------|-------|---------------------|
| Frequency Range                           | 2.00             | -----   | 8.00    | MHz   |                     |
| Resonant Impedance (Ro)                   | -----            | -----   | 100     | Ω     | 2.00 MHz - 2.99 MHz |
|   | -----            | -----   | 50      |       | 3.00 MHz - 3.49 MHz |
|   | -----            | -----   | 30      |       | 3.50 MHz - 8.00 MHz |
| Load Capacitance for Test Circuit (C1=C2) | 24               | 30      | 36      | pF    |                     |
| Frequency Tolerance                       | -0.5             | -----   | +0.5    | %     |                     |
| Frequency Stability                       | -0.3             | -----   | +0.3    | %     | -25°C to +85°C      |
| Withstanding Voltage                      | -----            | 50      | -----   | V     | DC , 1 min          |
| Rating Voltage                            | (1) D.C. Voltage | -----   | 6       | V     |                     |
|   | (2) A.C. Voltage | -----   | 15      | Vp-p. |                     |
| Insulation Resistance                     | 100              | -----   | -----   | MΩ    | 10V, 1min           |
| Operation Temperature                     | -25              | -----   | 85      | °C    |                     |
| Storage Temperature                       | -55              | -----   | 85      | °C    |                     |
| Aging Rate (Fosc) (10 years)              | -0.3             | -----   | 0.3     | %     |                     |

## TEST CONDITION AND TEST CIRCUIT:



Parts shall be measured under a condition (Temp.: 20±15°C, Humidity: 65±20% R.H.) unless the standard condition (Temp: 25±3°C, Humidity: 65±10% R.H.) is regulated to measure

## OPTIONS & PART IDENTIFICATION:

AWSZT -  MGD -

### Frequency

Frequency in MHz

### Packaging

T: 1000pcs/Reel

T4: 4000pcs/Reel

# 7.4 x 3.4 x 1.8 mm SMD CERAMIC RESONATOR

AWSZT



7.4 x 3.4 x 1.8 mm

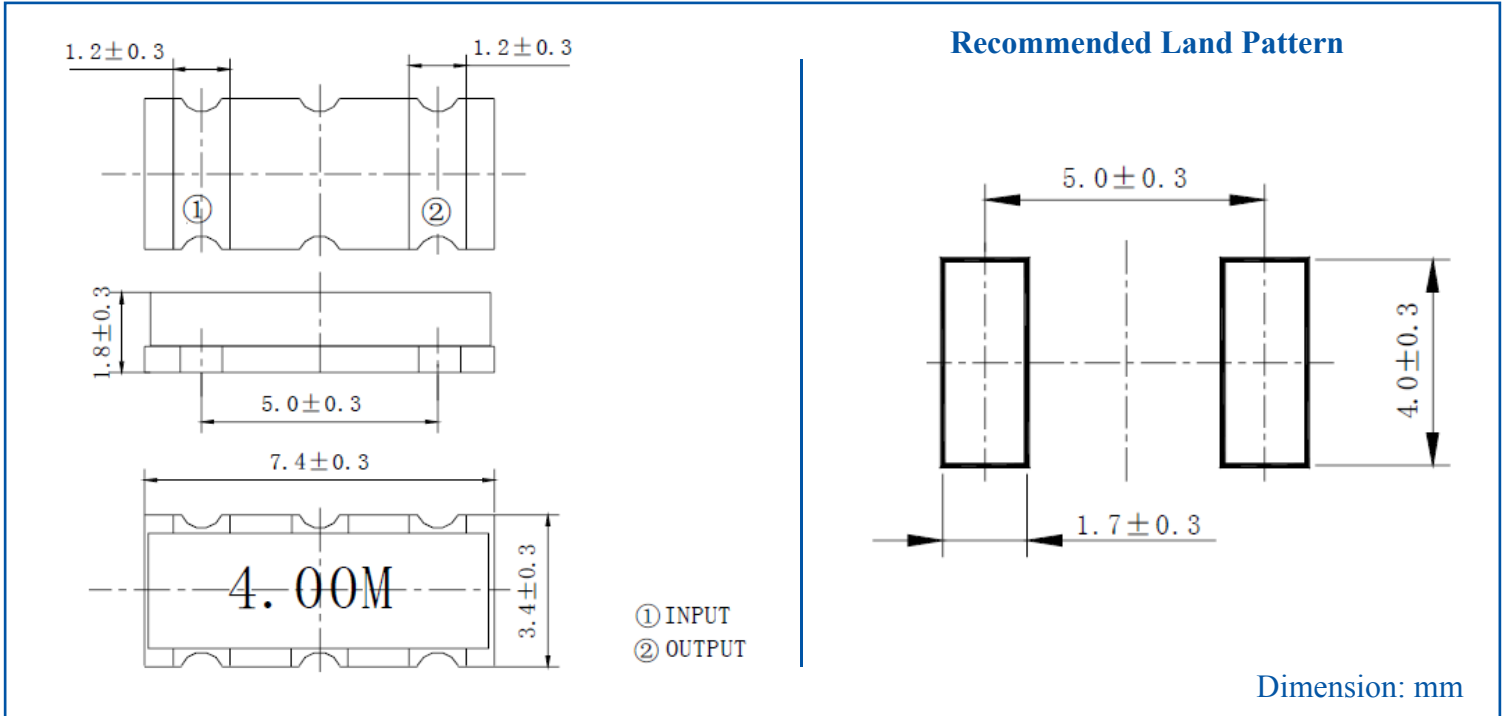
**AWSZT-MGD**

Pb in ceramic  
(exempt per RoHS 2002/95/EC Annex (7))

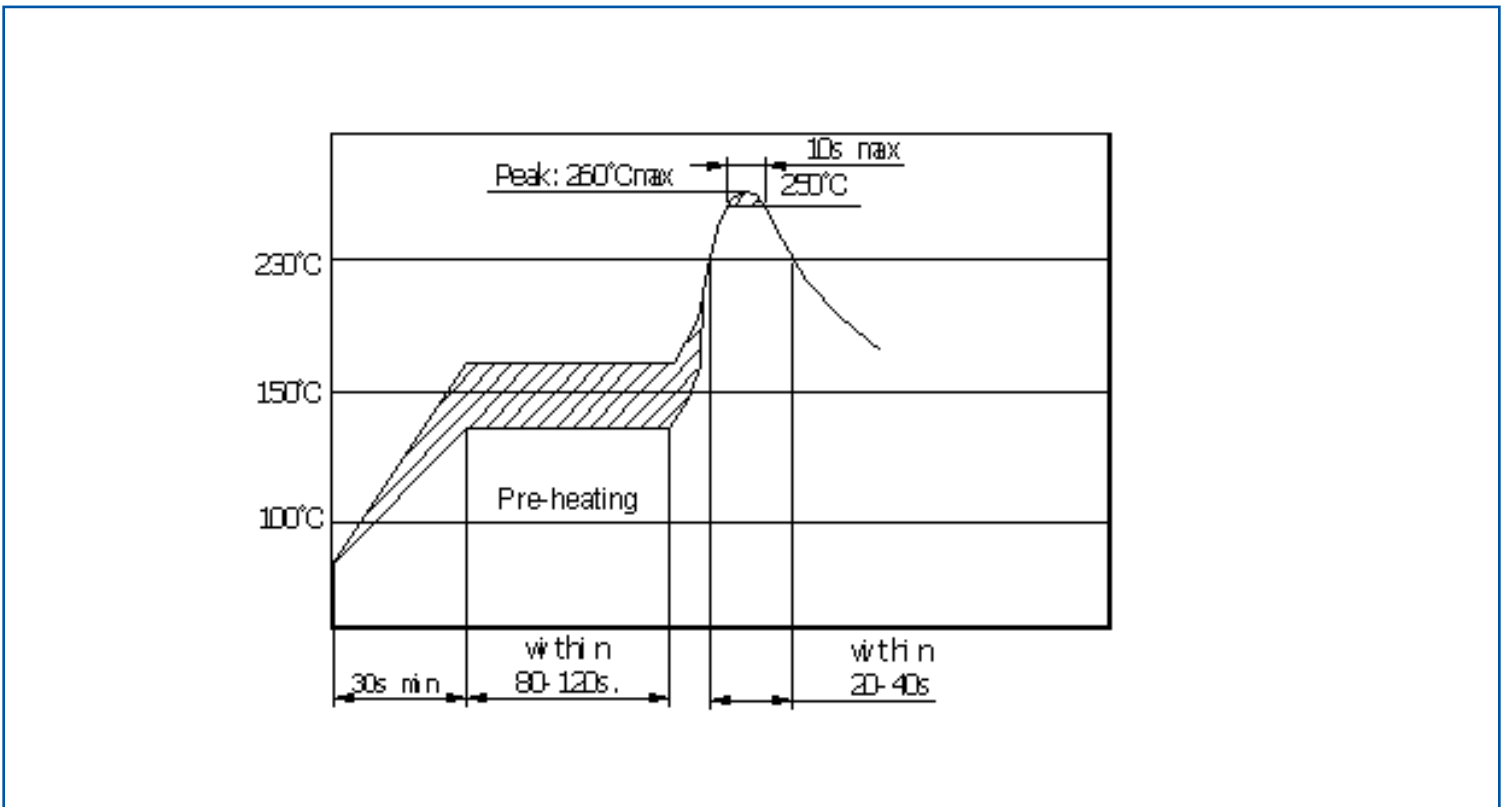
**RoHS**  
Compliant

Obselete/End of Life Date: 10/26/2016 - Please consider AWSCR-CP as an alternative

## ➤ OUTLINE DRAWING:



## ➤ REFLOW PROFILE:



# 7.4 x 3.4 x 1.8 mm SMD CERAMIC RESONATOR

AWSZT



7.4 x 3.4 x 1.8 mm

AWSZT-MGD

Pb in ceramic  
(exempt per RoHS 2002/95/EC Annex (7))

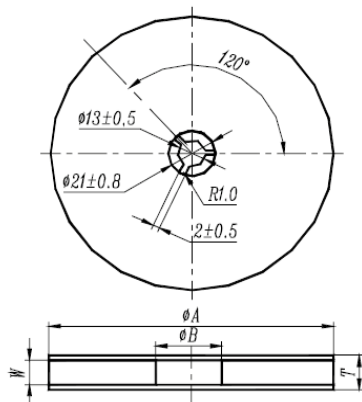
RoHS  
Compliant

Obselete/End of Life Date: 10/26/2016 - Please consider AWSCR-CP as an alternative

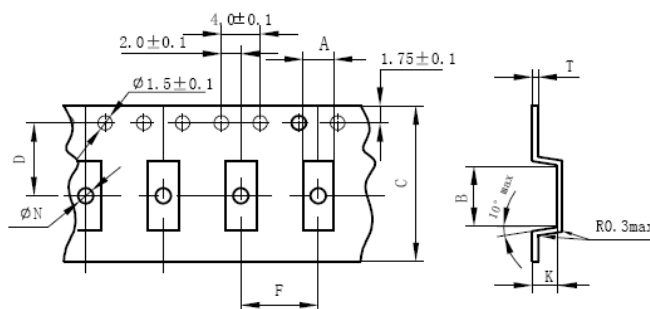
## TAPE & REEL:

T: 1000pcs/reel  
T4: 4000pcs/reel

Dimensions: mm



| Reel Quantity | ΦA    | ΦB      | W        | T        | Pieces per reel | Carrier tape size |
|---------------|-------|---------|----------|----------|-----------------|-------------------|
| 1000 (T)      | 179±2 | 60 typ. | 16.4 min | 22.4 max | 1000 typ.       | 16                |
| 4000 (T4)     | 330±3 | 80 min  | 16.4 min | 22.4 max | 4000 typ.       | 16                |



| A       | B       | C        | D       | F       | ØN        | K       | T        |
|---------|---------|----------|---------|---------|-----------|---------|----------|
| 3.8±0.2 | 7.8±0.2 | 16.0±0.2 | 7.5±0.1 | 8.0±0.1 | 1.55±0.05 | 2.1±0.1 | 0.3±0.05 |

## CAUTION:

- (1) Do not apply excess mechanical stress to the component body or terminations. Do not attempt to re-form or bend the components as this will cause damage to the component.
- (2) This component is not hermetically sealed. Do not clean or wash the component.
- (3) Reflow Soldering: Do not use strong acidity flux, such as flux with chlorine content of greater than 0.2wt% during Reflow Soldering.
- (4) Do not expose the component to open flame.
- (5) This specification applies to the functionality of the component as a single unit.
- (6) Shelf Life: The warranted Shelf Life of this product is Six Months after the Delivery Date under the conditions of sealed, unopened, original packaging.
- (7) Storage Conditions: If the product is to be stored for a period greater than Six Months after the Delivery Date, it is recommended that customers confirm the solderability and characteristics for the product prior to use.
- (8) This product is not recommended for use in the following applications: Automotive, Medical, Military, Safety, or any other high-reliability, life dependant applications. Contact Abracon Corporation prior to using this product when in doubt.

**ATTENTION:** Abracon Corporation's products are COTS – Commercial-Off-The-Shelf products; suitable for Commercial, Industrial and, where designated, Automotive Applications. Abracon's products are not specifically designed for Military, Aviation, Aerospace, Life-dependant Medical applications or any application requiring high reliability where component failure could result in loss of life and/or property. For applications requiring high reliability and/or presenting an extreme operating environment, written consent and authorization from Abracon Corporation is required. Please contact Abracon Corporation for more information.