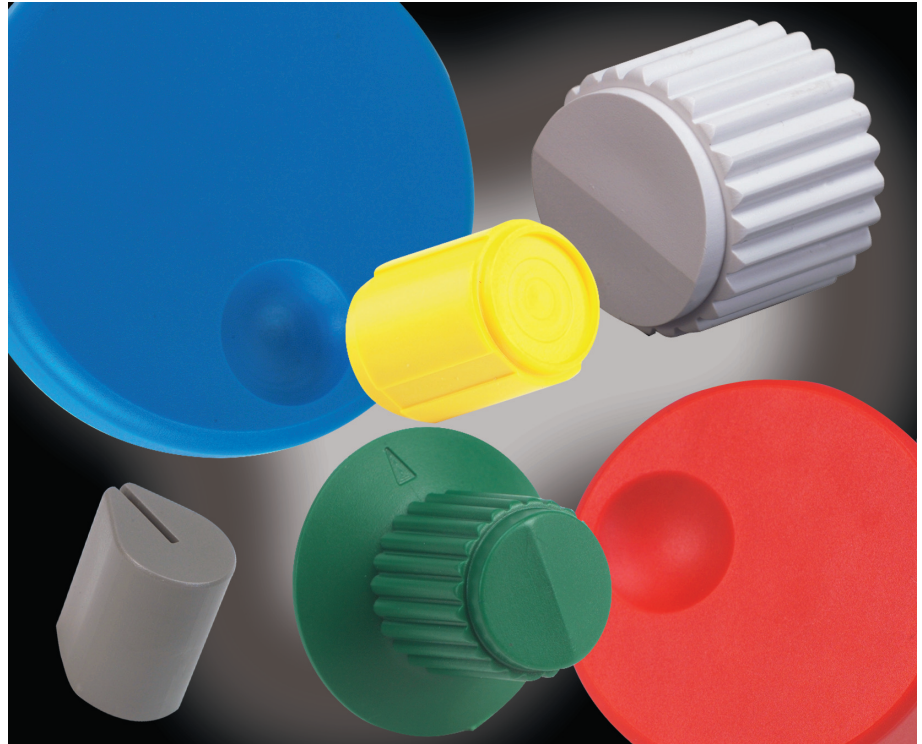


**CONTROL KNOBS**  
Ideally Suited for Encoder and Rotary Switches

**FEATURES**

- Standard Fit for Grayhill Encoder and Rotary Switches
- Custom Materials, Styles, Colors and Markings Available
- Standard Black or Gray
- Choice of Spring Clip (Press-On) or Metal Insert with Set Screw Versions

Contact Grayhill for special design considerations



Optical and Mechanical Encoders

**DIMENSIONS** In inches (and millimeters)

<p><b>Style 5013</b></p> <p>Available in .250 Dia. Shaft only.*</p>	<p><b>Style 5014</b></p>
<p><b>Style 5015</b></p>	<p><b>Style 5017</b></p> <p>Available in .125 and .157 (4mm) dia. shaft in spring clip (press-on) version only.*</p>

\*See Ordering Information.

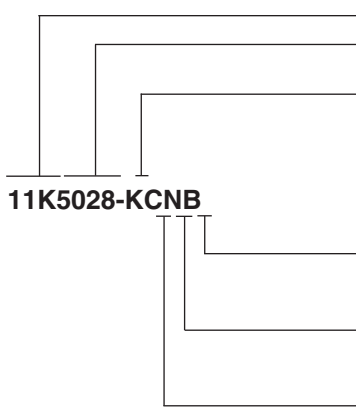
## DIMENSIONS In inches (and millimeters)

<p><b>Style 5019</b></p> <p><b>Top View</b></p>	<p><b>Style 5020</b></p> <p><b>Top View</b></p> <p>Available in ABS, .250 dia. shaft in spring clip (press-on). The locking clip is also available, requires a custom shaft.**</p>
<p><b>Style 5028</b></p> <p><b>Top View</b></p>	<p><b>Style 5029</b></p> <p><b>Top View</b></p>

\*See Ordering Information.

\*\*Contact Grayhill representative

## ORDERING INFORMATION



**Series**

**Style\*:** 5013, 5014, 5015, 5017, 5019, 5020, 5028, 5029  
(see dimension drawings for style options)

**Shaft Diameter:**

- J = .125 dia. shaft
- E = .157 (4mm) dia. shaft
- K = .250 dia. shaft

**Knob Color:**

- B = Black
- G = Gray

**Material:**

- A = ABS (available on the styles 5017 and 5020 only)
- N = Nylon

**Version:**

- C = Spring Clip (press-on)
- F = Flat Clip (available on the style 5013 only)
- L = Locking Clip (available on the style 5020 only)
- M = Metal Insert w/Set Screw(s)

Custom materials, styles and colors are available.

For prices and discounts, contact a local sales office or Grayhill.