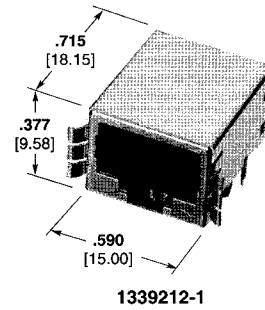
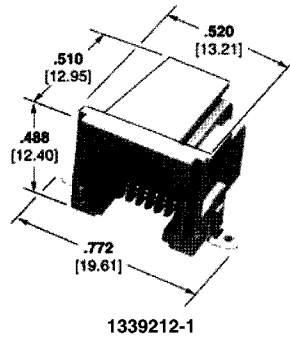


**Single Port Modular Jacks** (Continued)

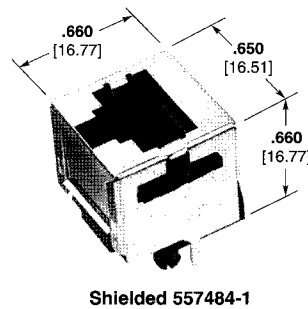
**Side Entry (RA),  
Surface Mount**



Part Number	Positions/Contacts	LEDs	Shielded	Performance	Panel Stops	Inverted	Ground Options
406545-2	6/4	Without	No	Cat 3	Without	Yes	Without
1339212-1	6/6	Without	Yes	Cat 3	Without	Yes	Panel and PCB
406514-2	6/6	Without	No	Cat 3	Without	Yes	Without
555077-1	6/6	Without	No	Cat 3	With	No	Without
1339160-1	8/8	Without	Yes	Cat 3	Without	Yes	Panel and PCB
406721-1	8/8	Without	No	Cat 3	With	Yes	Without
406721-2	8/8	Without	No	Cat 3	With	Yes	Without
406721-4	8/8	Without	No	Cat 3	With	Yes	Without
558178-1	8/8	Without	Yes	Cat 3	With	No	PCB Ground

**Note:** Consult Tyco Electronics Sales Representative for additional Part Numbers and features differences (tail length, LED color, IRR, etc.)

**Top Entry, Thru-Hole**



Part Number	Positions/Contacts	LEDs	Shielded	Performance	Panel Stops	Inverted	Ground Options
520257-2	4/4	Without	No	Cat 3	With	No	Without
406010-2	6/2	Without	No	Cat 3	Without	No	Without
520258-2	6/4	Without	No	Cat 3	With	No	Without

**Note:** Consult Tyco Electronics Sales Representative for additional Part Numbers and features differences (tail length, LED color, IRR, etc.)

Single Port  
Modular Jacks