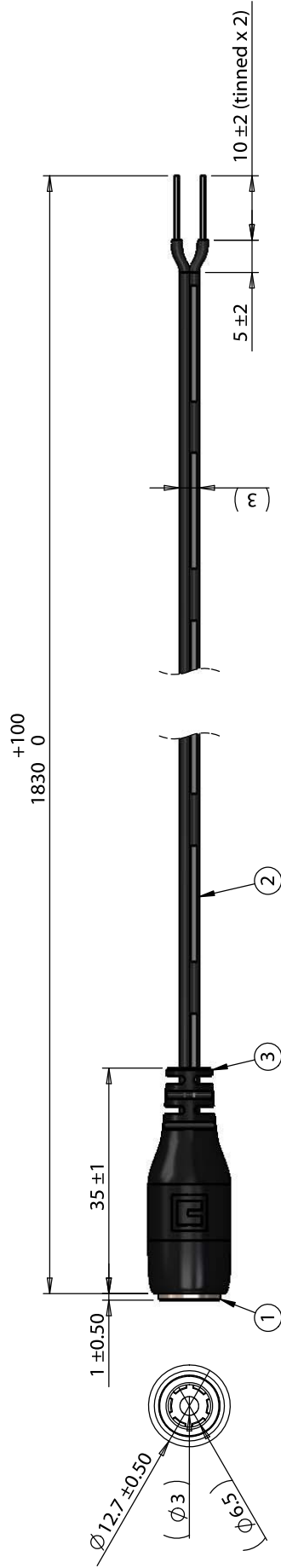


ITEM NO.	PART NUMBER	DESCRIPTION	QTY.	COMPONENT NOTES
1	50-00091	Connector, dc jack, 6.5x3.0xL19.7 mm, molding style	1	
2	30-00404	Wire, 2C TS, 24 AWG, UL2468, 300V, 80C, 3.0 mm, VW-1, PVC, 87A	1	
3	24-00233	Overmold, 6.5x3.0 dc jack, PVC	1	black



Wiring Diagram		wire color
50-00091	center	black with stripe
	sleeve	black

Notes:
Functionally equivalent components may be substituted

Revision:	Date:	Description:	Prepared:	Notes:	Size:	Part number:	Scale:	Sheet
A	02/07/2018	Initial release	GL <small>Digitally signed by GL Date: 2018.02.14 15:27:58 -0800</small>	RoHS compliant Function test: no open, no short circuit, no intermittent	A	10-02512	1:1	1 of 1
			AW <small>Digitally signed by AW Date: 2018.02.14 08:15:24 -0800</small>	Description: Cable, 1830 mm, 6.5x3.0 mm 50-00091 dc jack to 10 mm tinned, 24 AWG, UL2468, 30-00404 wire				
			Dimensions are in millimeters. Tolerances: X: ± 0.5 mm X.X: ± 0.3 mm X.XX: ± 0.05 mm					