

FT NUT M25 GN - Nut

1049830

<https://www.phoenixcontact.com/us/products/1049830>



Please be informed that the data shown in this PDF document is generated from our Online Catalog. Please find the complete data in the user documentation. Our General Terms of Use for Downloads are valid.

Panel feed-through, Range of articles: PRC 35, Nut, color: green



Product Description

Nut for color-coding device interfaces

Your advantages

- Color coding for PRC connectors
- Easy installation
- Other colors available on request

Commercial Data

Item number	1049830
Packing unit	1 pc
Minimum order quantity	10 pc
Sales Key	AB03
Product Key	ABL CZB
GTIN	4055626661575
Weight per Piece (including packing)	3.17 g
Weight per Piece (excluding packing)	3.17 g
Customs tariff number	39269097
Country of origin	PL

Technical Data

Notes

Safety note

Safety note	<ul style="list-style-type: none"> • WARNING: Commission properly functioning products only. The products must be regularly inspected for damage. Decommission defective products immediately. Replace damaged products. Repairs are not possible.
	<ul style="list-style-type: none"> • WARNING: Only electrically qualified personnel may install and operate the product. They must observe the following safety notes. The qualified personnel must be familiar with the basics of electrical engineering. They must be able to recognize and prevent danger. The relevant symbol on the packaging indicates that only personnel familiar with electrical engineering are allowed to install and operate the product.
	<p>WARNING: The connectors may not be plugged in or disconnected under load. Ignoring the warning or improper use may damage persons and/or property.</p>
	<ul style="list-style-type: none"> • Assembled products may not be manipulated or improperly opened.
	<ul style="list-style-type: none"> • Only use mating connectors that are specified in the technical data of the standards listed (e.g. the ones listed in the product accessories online at phoenixcontact.com/products).
	<ul style="list-style-type: none"> • When using the product in direct connection with third-party manufacturers, the user is responsible.
	<ul style="list-style-type: none"> • For operating voltages > 50 V AC, conductive connector housings must be grounded
	<ul style="list-style-type: none"> • Ensure that the protective or functional ground has been properly connected.
	<ul style="list-style-type: none"> • VDE 0100/1.97 § 411.1.3.2 and DIN EN 60 204/11.98 § 14.1.3 are applicable when combining several circuits in a cable and/or connector
	<ul style="list-style-type: none"> • Observe the corresponding technical data. You will find information: <ul style="list-style-type: none"> o On the product o On the packing label o In the supplied documentation o Online at phoenixcontact.com/products under the product
	<ul style="list-style-type: none"> • Only use tools recommended by Phoenix Contact
	<ul style="list-style-type: none"> • The installation notes/Design In documents online on the download page at phoenixcontact.com/products must be observed for this product.
	<ul style="list-style-type: none"> • Use a protective cap to protect connectors that are not in use. The suitable accessories are available online in the accessory section of the product at phoenixcontact.com/products
	<ul style="list-style-type: none"> • Operate the connector only when it is fully plugged in.
	<ul style="list-style-type: none"> • Operate the connector only when it is fully plugged in and interlocked.
	<ul style="list-style-type: none"> • Ensure that when laying the cable, the tensile load on the connectors does not exceed the upper limit specified in the standards.
	<ul style="list-style-type: none"> • Observe the minimum bending radius of the cable. Lay the

FT NUT M25 GN - Nut

1049830

<https://www.phoenixcontact.com/us/products/1049830>

cable without twisting it.

- The connector warms up in normal operation. Depending on the ambient conditions, the surface of the connector can continue to warm up. In this case, the user is responsible for posting warnings (e.g. DIN EN ISO 13732-1:2008-12).

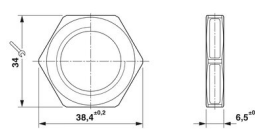
Product properties

Product type	Panel feed-through
Product family	PRC 35

Insulation characteristics

Protection class	II
Degree of pollution	2

Dimensions

Dimensional drawing	
Width	6.5 mm
Height	38.4 mm
Length	34 mm
Wrench size, union nut	34 mm

Material specifications

Color	green
Flammability rating according to UL 94	V0
Material for screw connection	PA

Environmental and real-life conditions

Ambient conditions

Ambient temperature (operation)	-40 °C ... 85 °C
Ambient temperature (storage/transport)	-20 °C ... 65 °C
Ambient temperature (assembly)	-5 °C ... 85 °C

FT NUT M25 GN - Nut

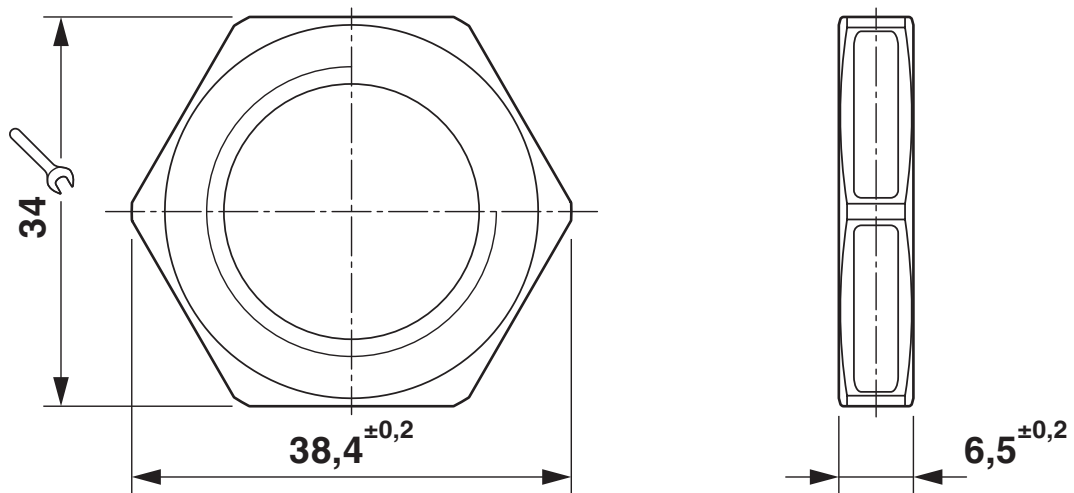
1049830

<https://www.phoenixcontact.com/us/products/1049830>



Drawings

Dimensional drawing



FT NUT M25 GN - Nut



1049830

<https://www.phoenixcontact.com/us/products/1049830>

Classifications

ECLASS

ECLASS-11.0	27440109
ECLASS-12.0	27440109
ECLASS-13.0	27440109

ETIM

ETIM 8.0	EC003569
----------	----------

UNSPSC

UNSPSC 21.0	39121400
-------------	----------

FT NUT M25 GN - Nut

1049830

<https://www.phoenixcontact.com/us/products/1049830>



Environmental Product Compliance

China RoHS	Environmentally friendly use period: unlimited = EFUP-e
	No hazardous substances above threshold values

FT NUT M25 GN - Nut

1049830

<https://www.phoenixcontact.com/us/products/1049830>



Accessories

PRC 5-FT25-MC WO NUT - Device connector, rear mounting

1627609

<https://www.phoenixcontact.com/us/products/1627609>



Panel feed-through, Range of articles: PRC 35, Device connector, rear mounting, housing material: PPE, color: black, number of positions: 5, rated voltage: 690 V AC, rated current: 35 A, Connection method: Crimp connection, Contact connection type: Pin. Nut must be ordered separately

PRC 3-FT25-MC WO NUT - Device connector, rear mounting

1627608

<https://www.phoenixcontact.com/us/products/1627608>



Panel feed-through, Range of articles: PRC 35, Device connector, rear mounting, housing material: PPE, color: black, number of positions: 3, rated voltage: 690 V AC, rated current: 35 A, Connection method: Crimp connection, Contact connection type: Pin. Nut must be ordered separately

Phoenix Contact 2023 © - all rights reserved

<https://www.phoenixcontact.com>

Phoenix Contact USA

586 Fulling Mill Road

Middletown, PA 17057, United States

(+717) 944-1300

info@phoenixcon.com