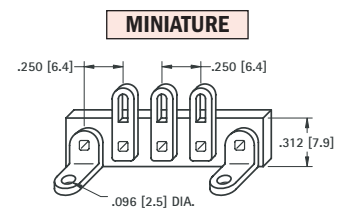
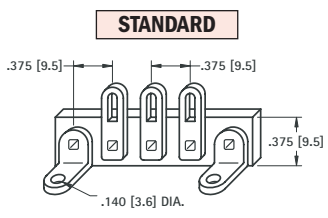
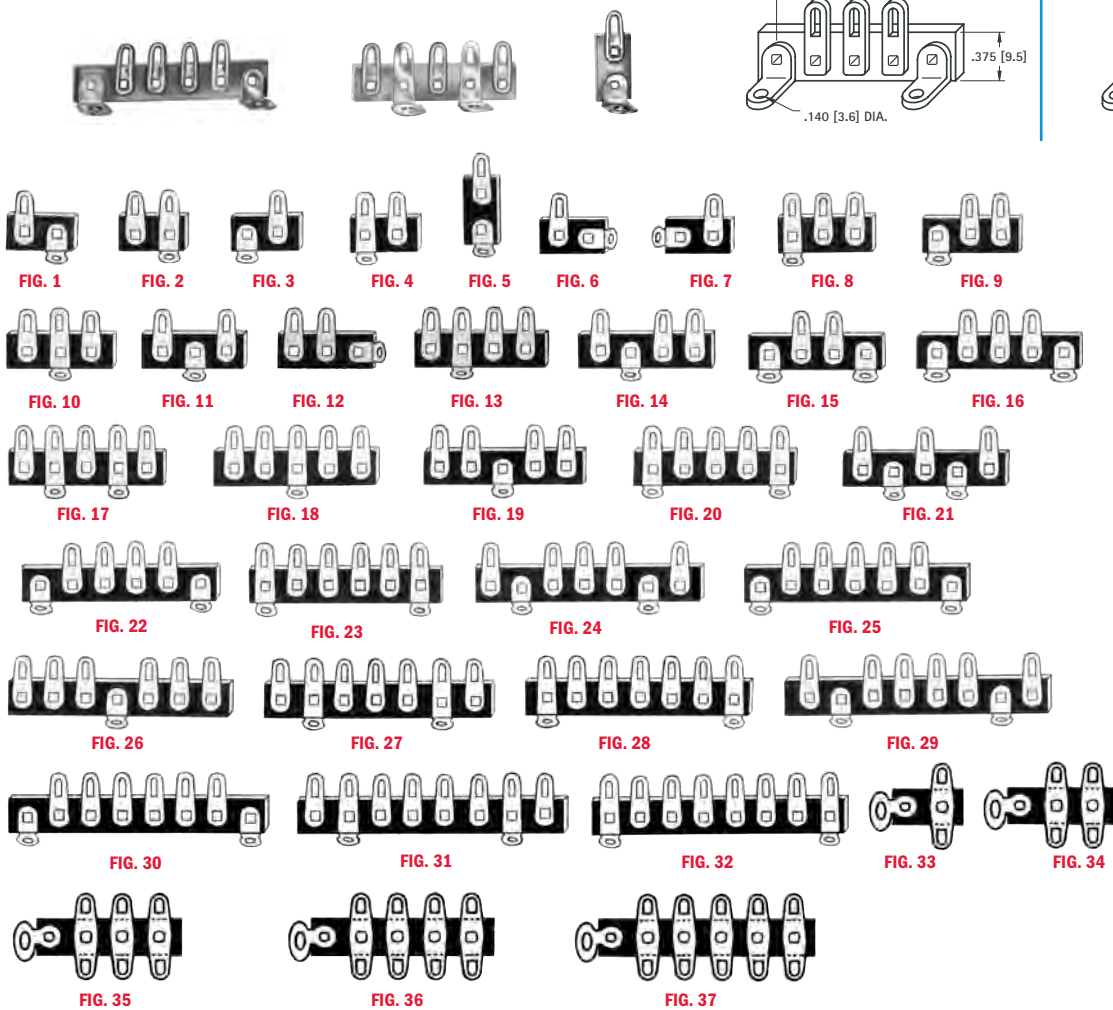


## TERMINAL STRIPS (STANDARD & MINIATURE)

Tin plated lugs and brackets. Bakelite XP .062 (1.57) thick. In addition to the strips shown, we manufacture many other varieties in any configuration and materials required. Send samples or sketch for prompt quotation.



STANDARD CAT. NO.	FIG NO.	MINIATURE CAT. NO.
800	1	837
801	2	838
802	3	839
803	4	840
804	5	841
805	6	842
806	7	843
807	8	844
808	9	845
809	10	846
810	11	847
811	12	848
812	13	849
813	14	850
814	15	851
815	16	852
816	17	853
817	18	854
818	19	855
819	20	856
820	21	857
821	22	858
822	23	859
823	24	860
824	25	861
825	26	862
826	27	863
827	28	864
828	29	865
829	30	866
830	31	867
831	32	868
832	33	—
833	34	—
834	35	—
835	36	—
836	37	—

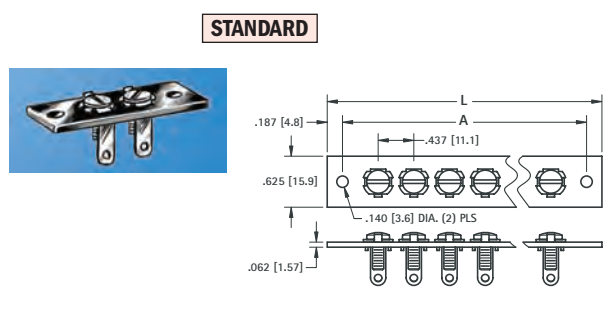
## BINDING POST STRIPS

**FIBERGLASS:** Reinforced Polyester NEMA Grade GPO-3 rated for 300°F (155°C).

**GEE:** Glass Epoxy, MIL-I-24768/27 Type G-10. Temp. 300°F (155°C).

**PBE:** Paper base electrical, MIL-1-24768/20 Type XP natural, Temp 250°F (121°C) max..

### SPECIFICATIONS

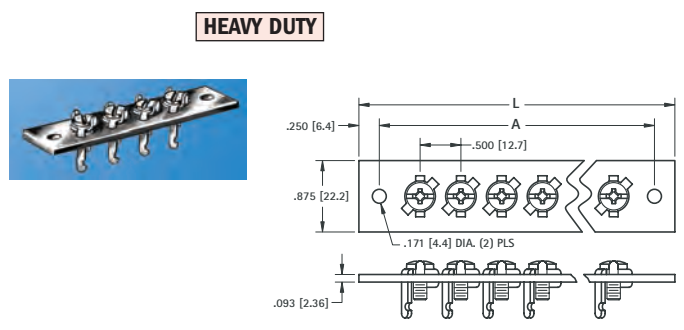


PBE CAT. NO.	GEE CAT. NO.	FIBER-GLASS CAT. NO.	L LENGTH	A MTG. CENTERS	NO. OF TERM
4187	4177	4167	1.250 (31.8)	.875 (22.2)	1
4188	4178	4168	1.687 (42.8)	1.312 (33.3)	2
4189	4179	4169	2.125 (54.0)	1.750 (44.5)	3
4190	4180	4170	2.562 (65.1)	2.187 (55.5)	4
4191	4181	4171	3.000 (76.2)	2.625 (66.7)	5
4192	4182	4172	3.437 (87.3)	3.062 (77.8)	6
4193	4183	4173	3.875 (98.4)	3.500 (88.9)	7
4194	4184	4174	4.312 (109.5)	3.937 (100.0)	8
4195	4185	4175	4.750 (120.7)	4.375 (111.1)	9
4196	4186	4176	5.187 (131.7)	4.812 (122.2)	10

Terminals supplied on these strips



Refer to page 57 for Part details on Cat. No.1248



GEE CAT. NO.	FIBER-GLASS CAT. NO.	L LENGTH	A MTG. CENTERS	NO. OF TERM
4147	4157	1.50 (38.1)	1.00 (25.4)	1
4148	4158	2.00 (50.8)	1.50 (38.1)	2
4149	4159	2.50 (63.5)	2.00 (50.8)	3
4150	4160	3.00 (76.2)	2.50 (63.5)	4
4151	4161	3.50 (88.9)	3.00 (76.2)	5
4152	4162	4.00 (101.6)	3.50 (88.9)	6
4153	4163	4.50 (114.3)	4.00 (101.6)	7
4154	4164	5.00 (127.0)	4.50 (114.3)	8
4155	4165	5.50 (139.7)	5.00 (127.0)	9
4156	4166	6.00 (152.4)	5.50 (139.7)	10

Terminals supplied on these strips



Refer to page 56 for Part details on Cat. No.1209

Tel (718) 956-8900 • Fax (718) 956-9040  
(800) 221-5510 • kec@keyelco.com

**KEYSTONE**  
RoHS COMPLIANT ~ ISO 9001 CERTIFIED

www.keyelco.com  
31-07 20th Road - Astoria, NY 11105-2017

TERMINAL STRIPS

Polarity Marking

THREAD

O.D.

THREAD