

Ratings

Temperature: -40 ~ 70 °C

Conductor

Gauge: 28 AWG, 0.081 mm²
 Material: tinned copper strands
 Stranding: ϕ 0.05 x 40
 Resistance at 20 °C: 240 Ω /km

Insulator

Material: HDPE
 Color: black, white, yellow, red
 Outer diameter: ϕ 0.7 \pm 0.10 mm
 Nominal thickness: 0.15 mm
 Resistance at 20 °C: 1000 M Ω /km

Shield

Type: spiral
 Material: tinned copper strands
 Strand size: ϕ 0.08 mm
 Coverage: 90 % minimum

Outer jacket

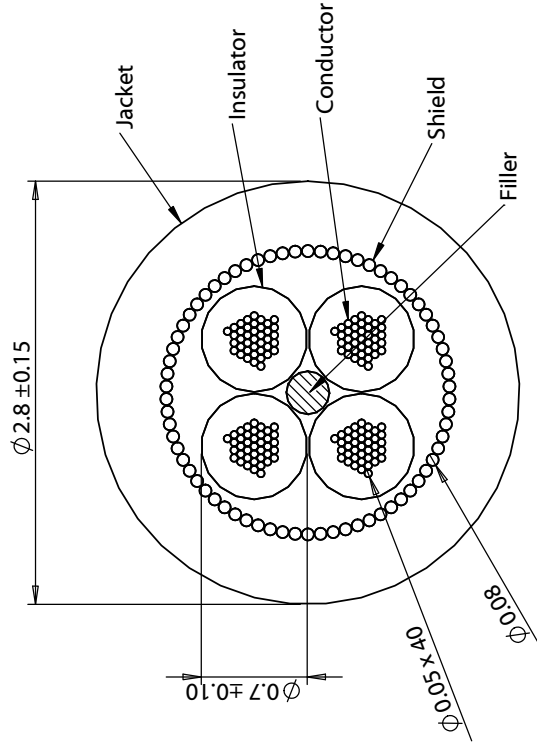
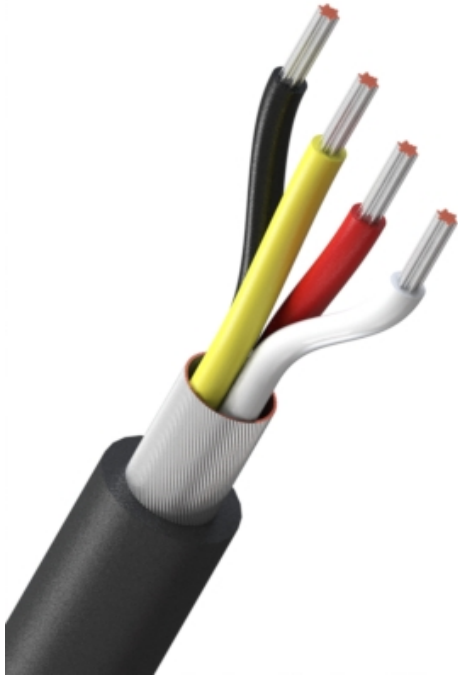
Material: TPU, 70 °C
 Color: black
 Nominal thickness: 0.50 mm
 Diameter: ϕ 2.8 \pm 0.15 mm

Filler

Material: aramid fiber

Tests

Tensile strength: 35.7 kgf
 Dielectric test: 1500 V dc for 1 minute without breakdown
 Bend test at 200 g, \pm 90 °, 30 cycles /min: 15,000 cycle minimum



REVISION	DATE	DESCRIPTION
A	7/31/2015	Initial release
A1	1/13/2016	Updated notes, corrected tolerances
A2	1/17/2019	Changed filler material to generic name

PREPARED:	VERIFIED:
DIMENSIONS ARE IN MILLIMETERS	
TOLERANCES:	
X:	\pm 0.5 mm
X.X:	\pm 0.3 mm
X.XX:	\pm 0.05 mm

NOTES
RoHS and REACH compliant
Jacket meets ISO 10993 for biological compatibility
Phthalate and halogen free
Function test: no open, no short, no intermittent
DESCRIPTION: Wire, 4C TS, 28 AWG, 150V, 70C, 2.8 mm, spiral shield, TPU

SIZE	PART NUMBER
A	30-00491

SCALE:	1:1

TENSILITY	
20802 Sockeye Place #130 Bend, OR 97701 USA tel 541.323.3228 fax 541.323.4202 800 877.670.7118 www.tensility.com	