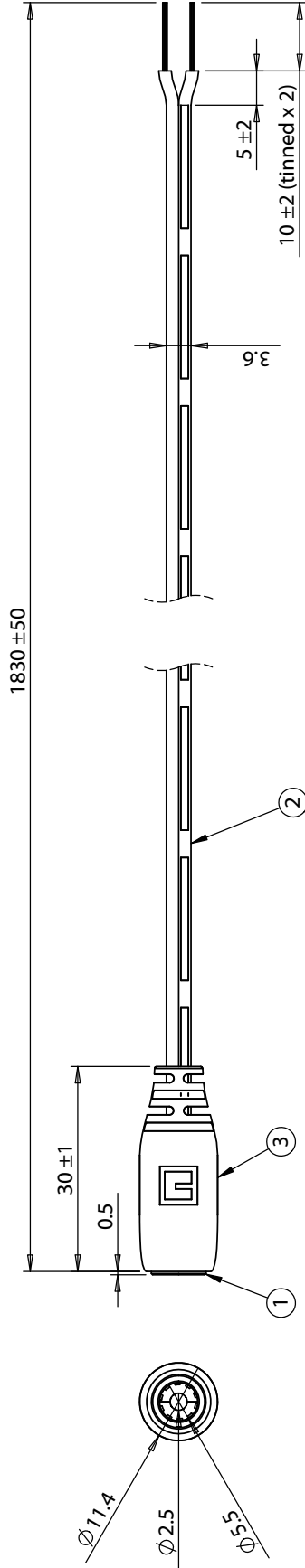


ITEM NO.	PART NUMBER	DESCRIPTION	QTY.	NOTES
1	50-00027	Connector, dc jack, 5.5x2.5xL17.4 mm, molding style	1	
2	30-00003	Wire, 2C BC, 24 AWG, UL2468, 300V, 80C, 3.6 mm, VW-1, PVC, 76A	1	
3	24-00004	Overmold, PVC, black	1	



Wiring diagram	
Wire Color	
Center	Black with stripe
Sleeve	Black

REVISION	DATE	DESCRIPTION	PREPARED:	NOTES	TENSILITY
A	6/27/2012	Initial release	2016.01.06 GL / 1652:25 -08'00' VERIFIED: LA / Digital Integrity, Inc. 10000 S. 10th St., Suite 100 Overland Park, KS 66204 Date: 2/26/2013 10:14:23 AM CST	RoHS compliant Function test: no open, no reversed polarity, no short circuit, no INT 4 A, 12 Vdc Functionally equivalent components may be used	20802 Sockeye Place #130 Bend, OR 97701 USA tel / 541.323.3228 fax 541.323.4202 800 877.670.7118 www.tensility.com
			DIMENSIONS ARE IN MILLIMETERS	DESCRIPTION:	SIZE
			TOLERANCES:		A
			X: ± 0.5 mm		PART NUMBER
			X.X: ± 0.3 mm		10-01091
			X.XX: ± 0.05 mm		SCALE: 1:1
					WEIGHT:
					SHEET 1 OF 1