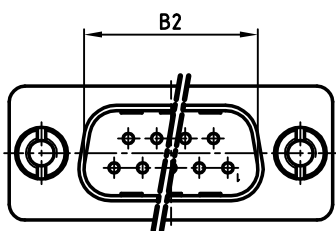
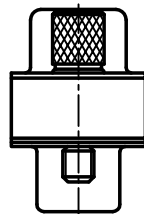
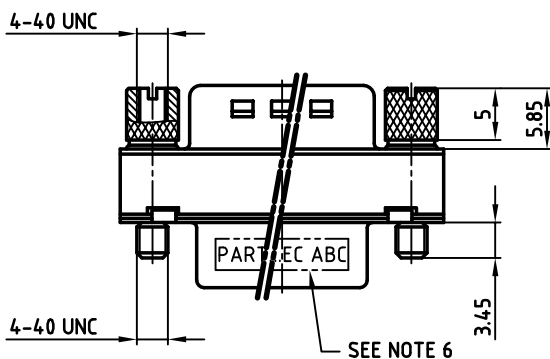
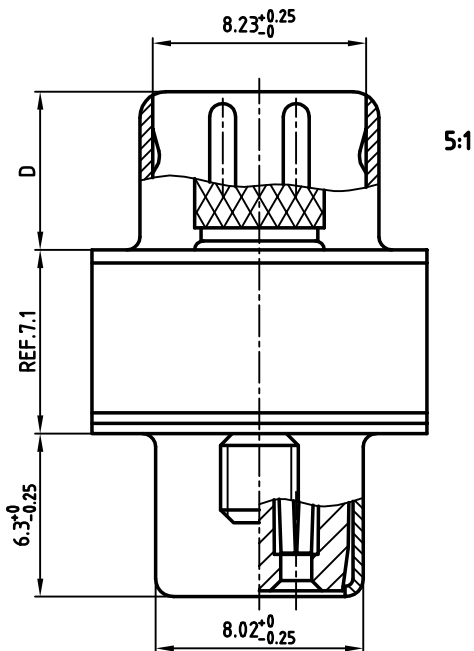
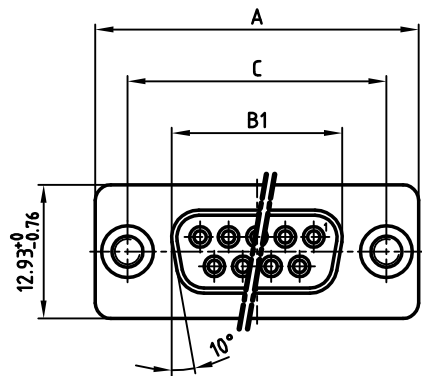


used for: D-SUB



| POS. | A ^{-0.76} | B1 ^{-0.25} | B2 ^{+0.25} | C | D ^{-0.3} | PART NO. |
|------|--------------------|---------------------|---------------------|--|-------------------|------------|
| 15 | 39.52 | 24.79 | 25.12 | 33.30 ^{+0.15} _{-0.1} | 6.12 | 163C50019X |
| 25 | 53.42 | 38.50 | 38.84 | 47.04 ^{±0.13} | 5.99 | 163C50029X |
| 37 | 69.70 | 54.96 | 55.30 | 63.50 ^{±0.13} | 5.99 | 163C50039X |

NOTES:

- METALSHELLS: STEEL; min. 315µin TIN OVER 40-80µin NICKEL
- INSULATORS: PBTP GF UL 94 V-0, BLACK
- CONTACTS: COPPER ALLOY
PLATING: 30µin HARD GOLD over min. 50min NICKEL
- ADAPTER SCREW: COPPER ALLOY; NICKEL PLATED
- MAXIMUM TORQUE VALUE FOR THREAD: 6in.LB
- CONNECTOR IS PART MARKED: PART NO. CONEC ABC

Directive 2002/95/EC
"RoHS"
Compliant

| | |
|---|--------|
| APPROVAL * FREIGABE * DEBLOCAGE * AUTORIZACION * APPROVAL | |
| CUSTOMER APPROVAL DATE: | |
| NAME: | TITLE: |
| COMPANY NAME: | |
| APPROVAL * FREIGABE * DEBLOCAGE * AUTORIZACION * APPROVAL | |

THIS DRAWING MAY NOT BE COPIED OR REPRODUCED IN ANY WAY, AND MAY NOT BE PASSED ON TO A THIRD PARTY, WITHOUT WRITTEN PERMISSION.
OWNERSHIP AND COPYRIGHT OF CONEC GmbH
DO NOT ALTER CAD DRAWING BY HAND

| rev. | description | date | name |
|------|-------------|------|------|
| | | | |
| | | | |
| | | | |
| | | | |
| | | | |
| | | | |
| | | | |
| | | | |
| | | | |
| | | | |

tolerance dim. in mm

| | | |
|-------|-----------|---------|
| 2009 | date | name |
| drawn | 27.02. | Petker |
| appd. | 27.02. | Fischer |
| norm | DIN 41652 | |
| d-old | | |

CONEC®

| | | |
|-----------|--|---------|
| scale: | 2:1 (5:1) | |
| material: | SEE NOTES | |
| title: | D-SUB ADAPTER 15-37pos. Plug / Socket | |
| dwg no: | AutoCAD 2006 | DIN-A |
| | 16K2A897 | 3 |
| part no: | SEE TABLE | |
| | | sh: 1/1 |