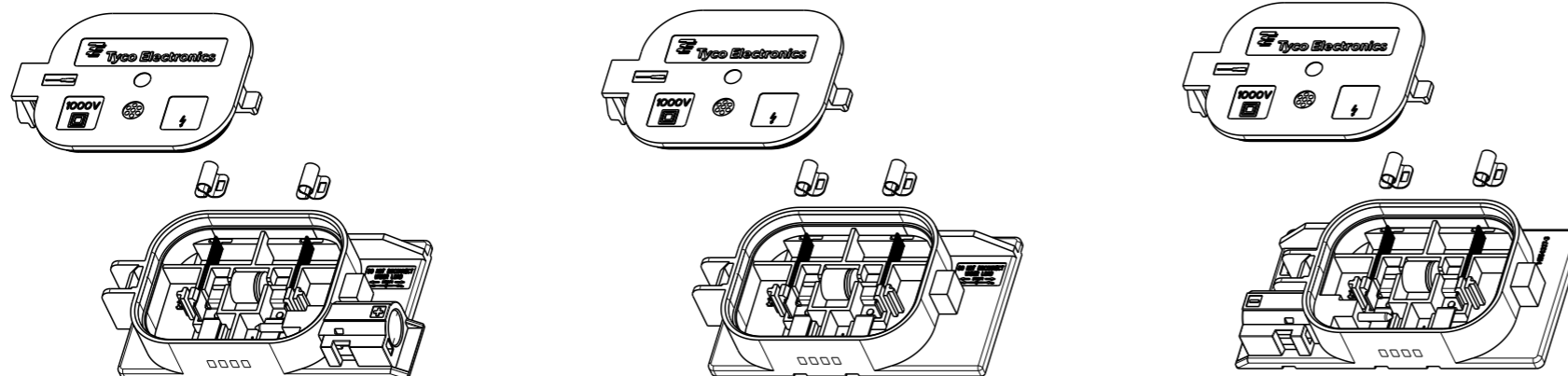


P	LTR	DESCRIPTION	DATE	DWN	APVD
	B1	ECR-12-006666	12APR2012	LP	CD
	B2	INSTANCES -1, -2 AND -3 ARE MADE OBSOLETE	10MAR2014	KR	TD

AS SHOWN 2134417-X, 1-2134417-X



- 1 POLARITY MARK.
- 2 DANGEROUS VOLTAGE MARK.
- 3 SAFTY CLASS II MARK.
- 4 SCREW DRIVER SYMBOL.
- 5 SAFTY ADVISE.
- 6 DATE CODE
- 7 INSTALLATION MANUAL ; 411-78357
- 8 MBR1545S FOR 2134417-X
DIODE SPECIFICATION ; 108-78702
- 9 SL1515B DIODE FOR 1-2134417-X
DIODE SPECIFICATION ; 108-94244

STATUS	APPLICABLE CONNECTOR	RATED CURRENT	PACKING QTY	COMPONENTS					DESCRIPTION	PART NUMBER
				5	4	3	2	1		
ACTIVE	1987287-2	14	80	2	1	1	-	-	KIT ASSEMBLY (MINUS)	1-2134417-3
OBSOLETE	1987287-2	9	80	2	1	1	-	-	KIT ASSEMBLY (MINUS)	2134417-3
ACTIVE	N/A	14	80	2	1	-	1	-	KIT ASSEMBLY (CENTER)	1-2134417-2
OBSOLETE	N/A	9	80	2	1	-	1	-	KIT ASSEMBLY (CENTER)	2134417-2
ACTIVE	1987287-1	14	80	2	1	-	-	1	KIT ASSEMBLY (PLUS)	1-2134417-1
OBSOLETE	1987287-1	9	80	2	1	-	-	1	KIT ASSEMBLY (PLUS)	2134417-1

THIS DRAWING IS A CONTROLLED DOCUMENT.

DIMENSIONS: mm		TOLERANCES UNLESS OTHERWISE SPECIFIED:	
		0 PLC	±0.2
		1 PLC	±0
MATERIAL		2 PLC	±0.1
		3 PLC	±0.1
		4 PLC	±0.0001
		ANGLES	±
FINISH			

DWN	T. OIKAWA	25AUG2010
CHK	M. HARASAWA	25AUG2010
APVD	M. HARASAWA	25AUG2010
PRODUCT SPEC	108-78694	
APPLICATION SPEC	-	
WEIGHT	-	
Customer Drawing		

		NAME		RESTRICTED TO	
		MONO PIECE JUNCTION BOX KIT ASSY			
SIZE	CAGE CODE	DRAWING NO			
A3	-	©=2134417			
SCALE		SHEET	REV		
1:2		1 OF 4	B2		

THIS DRAWING IS UNPUBLISHED.

RELEASED FOR PUBLICATION

20

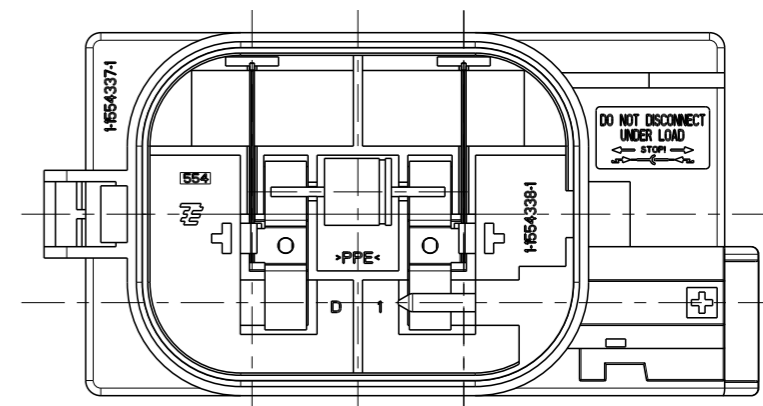
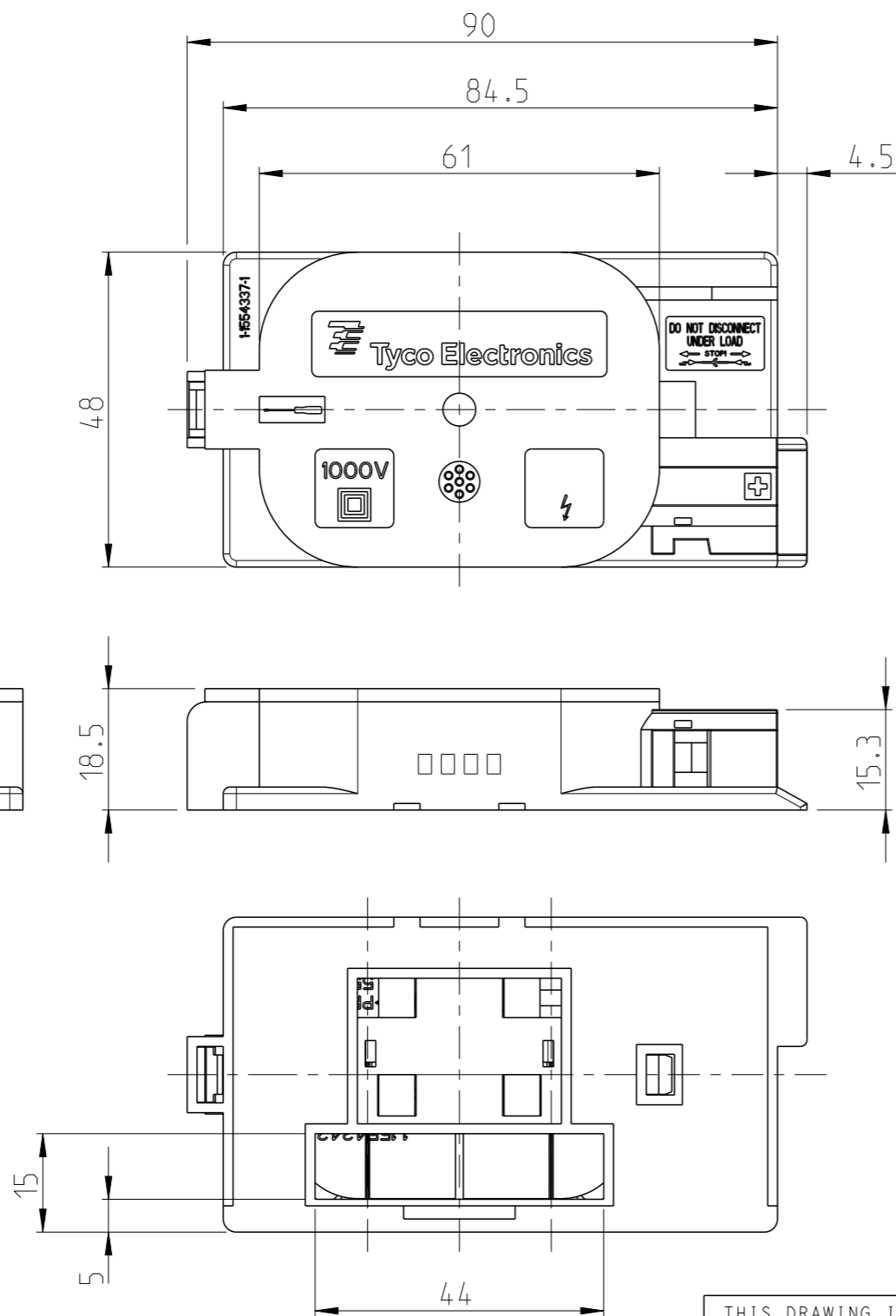
© COPYRIGHT 20 BY - TE CONNECTIVITY

ALL RIGHTS RESERVED.

REVISIONS

P	LTR	DESCRIPTION	DATE	DWN	APVD
-	-	SEE SHEET 1	-	-	-

AS SHOWN 1-2134417-1

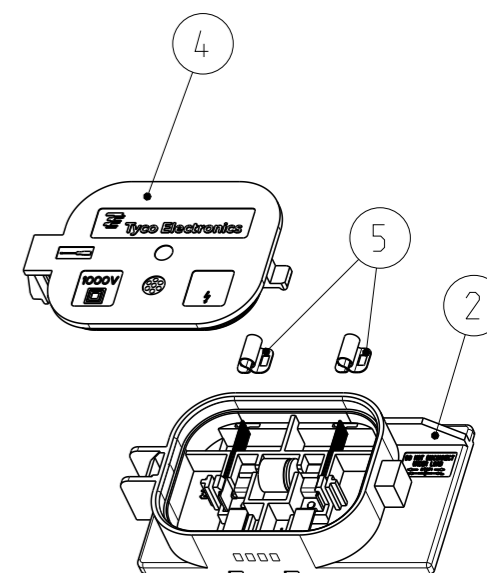
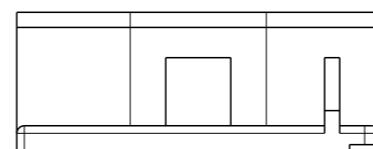
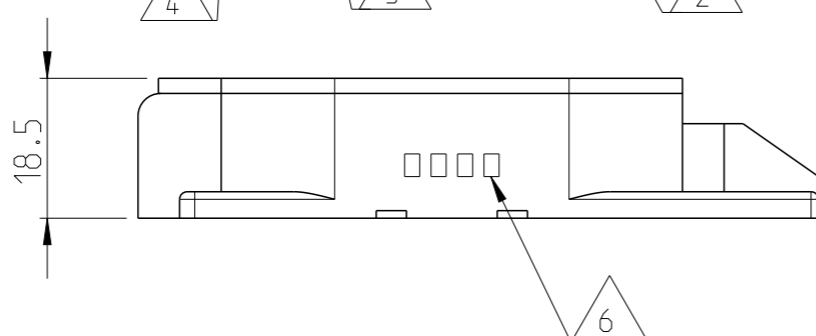
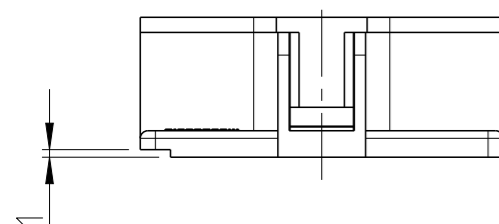
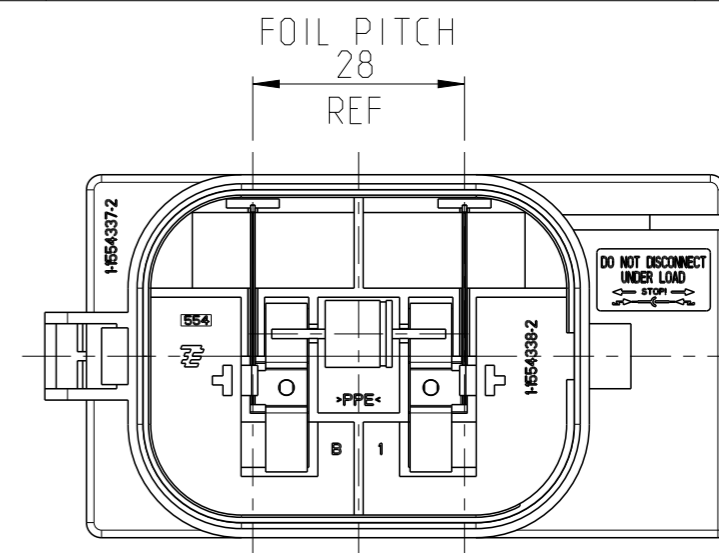
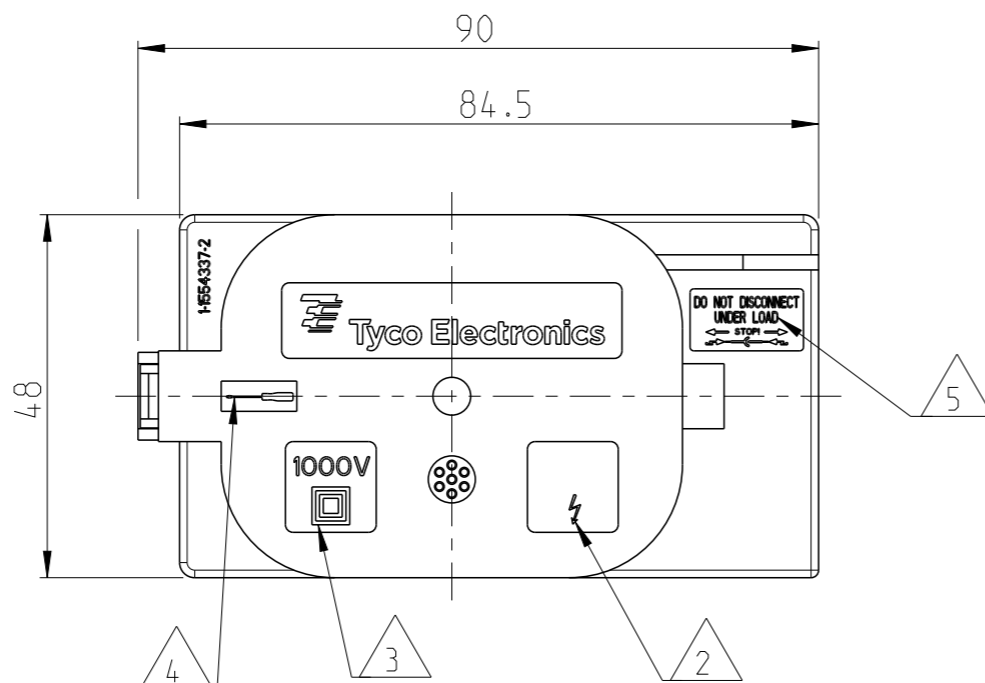


THIS DRAWING IS A CONTROLLED DOCUMENT.		DWN T. OIKAWA 25AUG2010		TE Connectivity	
DIMENSIONS: mm		CHK M. HARASAWA 25AUG2010			
TOLERANCES UNLESS OTHERWISE SPECIFIED:		APVD M. HARASAWA 25AUG2010		NAME MONO PIECE JUNCTION BOX KIT ASSY	
0 PLC ±0.2 1 PLC ±0 2 PLC ±0.1 3 PLC ±0.1 4 PLC ±0.0001 ANGLES ±		PRODUCT SPEC 108-78694		SIZE A3	
MATERIAL -		APPLICATION SPEC -		CAGE CODE -	
FINISH -		WEIGHT -		DRAWING NO C-2134417	
-		Customer Drawing		RESTRICTED TO -	
-		SCALE 1:2		SHEET 2 OF 4	
-		REV B2		-	

REVISIONS

P	LTR	DESCRIPTION	DATE	DWN	APVD
-	-	SEE SHEET 1	-	-	-

AS SHOWN 1-2134417-2



SCALE 1:2

THIS DRAWING IS A CONTROLLED DOCUMENT.

DIMENSIONS:	TOLERANCES UNLESS OTHERWISE SPECIFIED:
mm	0 PLC ±0.2
	1 PLC ±0
	2 PLC ±0.1
	3 PLC ±0.1
	4 PLC ±0.0001
	ANGLES ±
MATERIAL	FINISH
-	-
-	-

DWN	T. OIKAWA	25AUG2010
CHK	M. HARASAWA	25AUG2010
APVD	M. HARASAWA	25AUG2010
PRODUCT SPEC	108-78694	
APPLICATION SPEC	-	
WEIGHT	-	
Customer Drawing		

TE Connectivity		NAME	
		MONO PIECE JUNCTION BOX KIT ASSY	
SIZE	CAGE CODE	DRAWING NO	RESTRICTED TO
A3	-	©-2134417	-
SCALE		SHEET	REV
1:2		3 OF 4	B2

THIS DRAWING IS UNPUBLISHED.

RELEASED FOR PUBLICATION

20

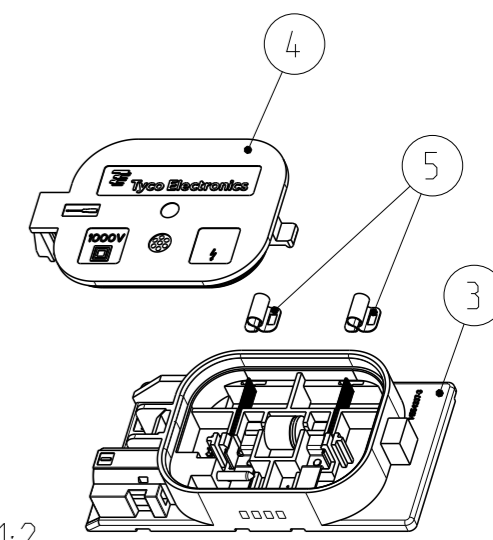
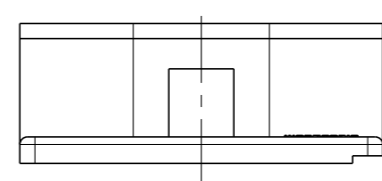
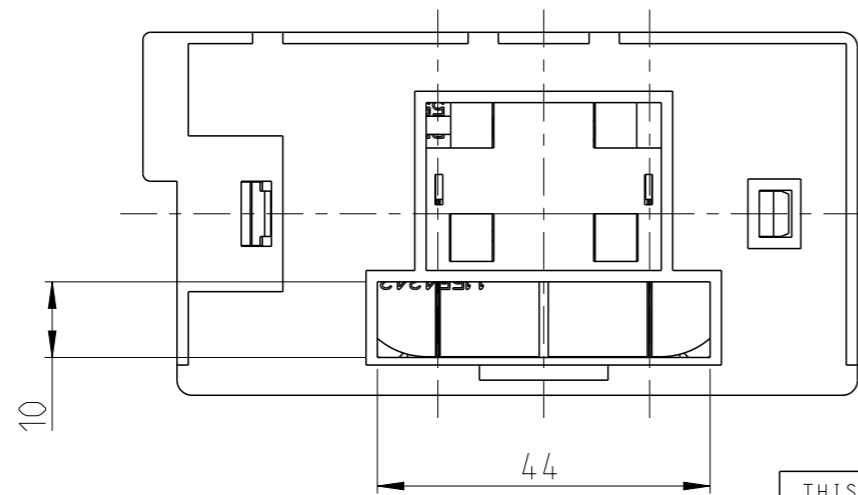
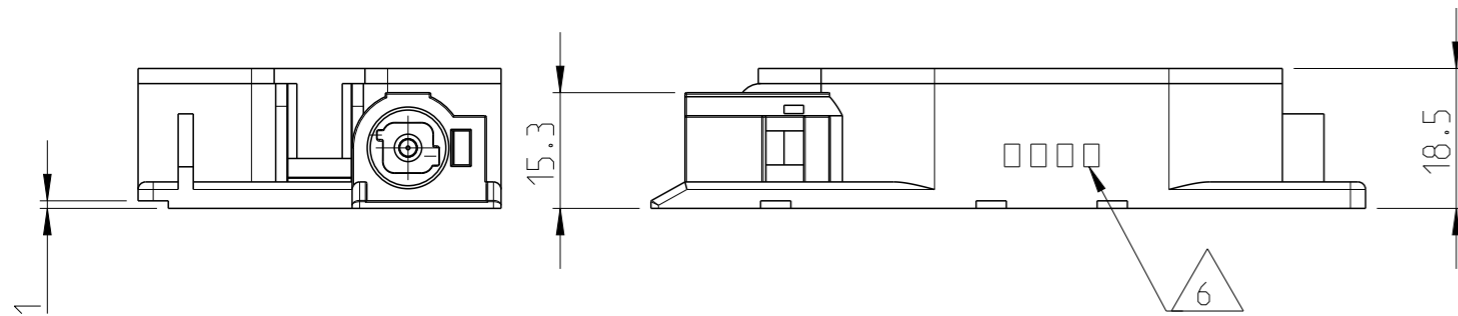
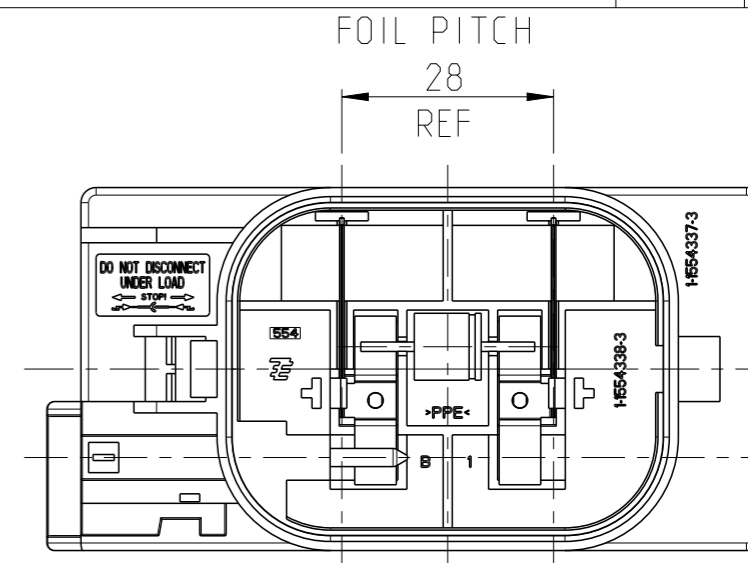
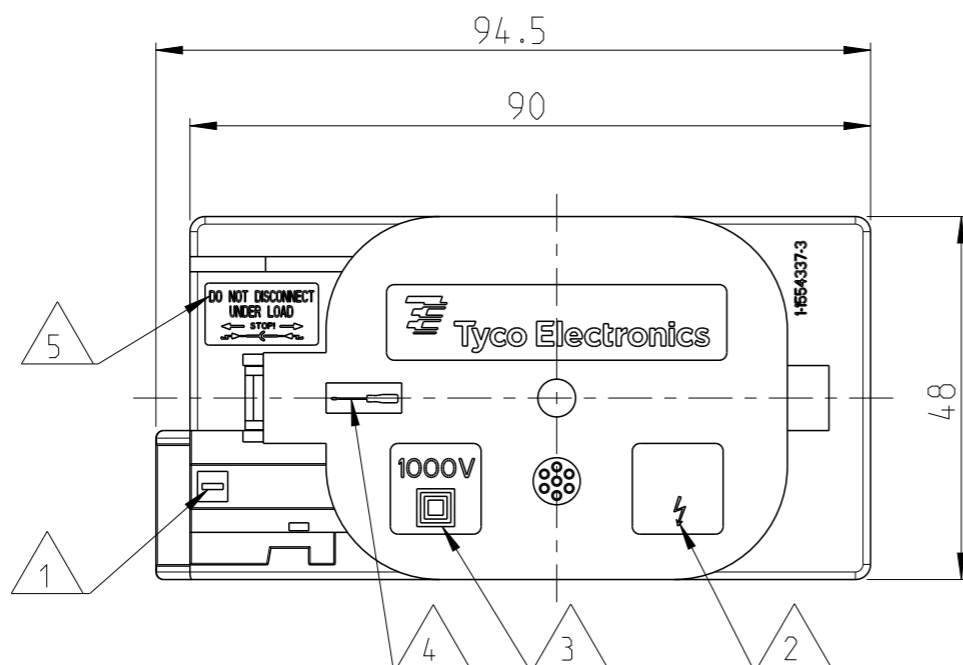
© COPYRIGHT 20 BY - TE CONNECTIVITY

ALL RIGHTS RESERVED.

REVISIONS

P	LTR	DESCRIPTION	DATE	DWN	APVD
-	-	SEE SHEET 1	-	-	-

AS SHOWN 1-2134417-3



SCALE 1:2

THIS DRAWING IS A CONTROLLED DOCUMENT.

DIMENSIONS:	TOLERANCES UNLESS OTHERWISE SPECIFIED:
mm	
	0 PLC ±0.2
	1 PLC ±0
	2 PLC ±0.1
	3 PLC ±0.1
	4 PLC ±0.0001
	ANGLES ±
MATERIAL	FINISH
-	-
-	-

DWN	T. OIKAWA	25AUG2010
CHK	M. HARASAWA	25AUG2010
APVD	M. HARASAWA	25AUG2010
PRODUCT SPEC	108-78694	
APPLICATION SPEC	-	
WEIGHT	-	
Customer Drawing		

TE Connectivity		NAME	
		MONO PIECE JUNCTION BOX KIT ASSY	
SIZE	CAGE CODE	DRAWING NO	RESTRICTED TO
A3	-	C-2134417	-
SCALE		SHEET	REV
1:2		4 OF 4	B2