

16mm Panel Mount Momentary Pushbutton - Red

PRODUCT ID: 1445

IN STOCK

1

ADD TO CART

1-9

10-99

100+

ADD TO WISHLIST

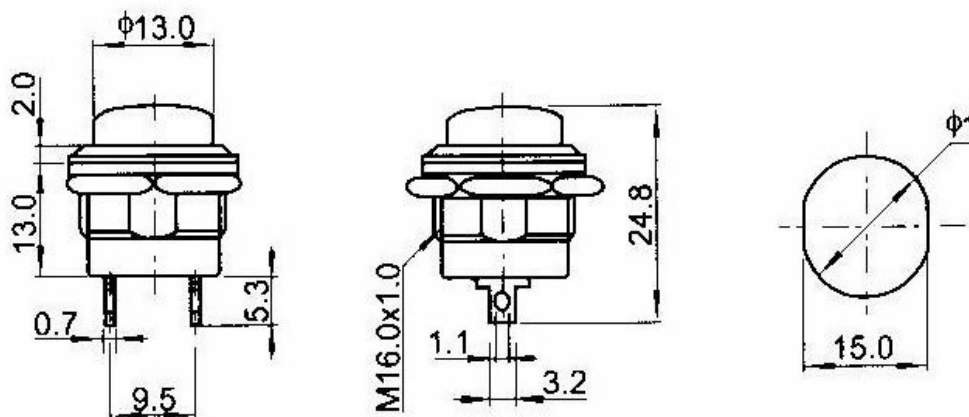
[DESCRIPTION](#)[TECHNICAL DETAILS](#)

DESCRIPTION

OK, this item is pretty simple - it's a panel mount pushbutton. It's not that exciting, no LEDs, no bells & whistles. But we really like it anyways – look at that lovely rounded shape, that elegant bevel. If you're going to go with a momentary pushbutton, let it be this one!

The button is a normally-open micro-switch. When pressed, the contacts short closed and [Bob's your uncle!](#)

TECHNICAL DETAILS



- Max Dimensions: 18.06mm / 0.7" x 18mm / 0.7" x 29.4mm / 1.15"
- Shaft Dimensions: 14.89mm / 0.58" x 15.56mm / 0.6" x 18.7mm / 0.73"
- Button Height: 5mm / 0.2"
- Button Height Depressed: 3.5mm / 0.15"
- Weight: 4.6g



LEARN



[Cupcade: the Raspberry Pi Micro Arcade Cabinet](#)

A tiny tribute to classic 1980s games



[1,500 NeoPixel LED Curtain with Raspberry Pi and Fadecandy](#)

Make Something Beautiful. And Bright. Really Bright.



[Purple People Eater](#)

Build a one eyed, one horned, flying purple people eater!



[Instant Camera using Raspberry Pi and Thermal Printer](#)

Pixelated photo DIY chic



[Fix-It Felix Jr. Hammer with Sound FX](#)

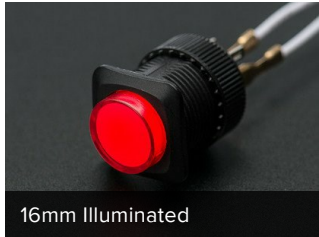
I can make it!



[LED Matrix Sand Toy](#)

LED physics on a Pi powered Matrix

MAY WE ALSO SUGGEST...



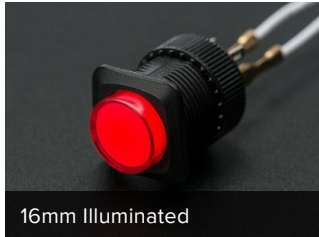
16mm Illuminated



Arcade Button - 30mm



Arcade Button - 30mm



16mm Illuminated



Arcade Button - 30mm



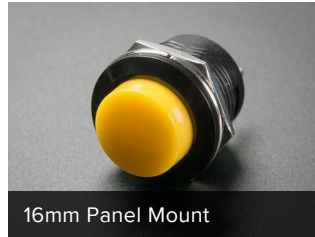
Arcade Button - 30mm



Arcade Button - 30mm



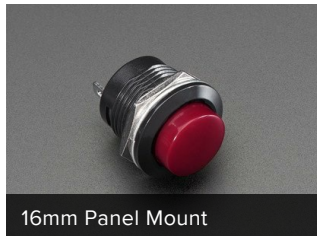
Arcade Button - 30mm



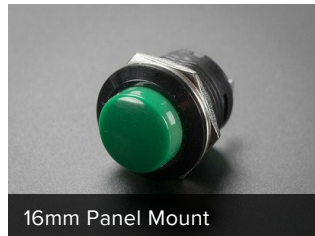
16mm Panel Mount



Cupcade: the Raspberry Pi-



16mm Panel Mount



16mm Panel Mount

DISTRIBUTORS [EXPAND TO SEE DISTRIBUTORS](#)

[CONTACT](#)

[SUPPORT](#)

[DISTRIBUTORS](#)

[EDUCATORS](#)

[JOBS](#)

[FAQ](#)

[SHIPPING & RETURNS](#)

[TERMS OF SERVICE](#)

[PRIVACY & LEGAL](#)

[ABOUT US](#)

"The key to the future of the world is finding the optimistic stories and letting them be known" - [Pete Seeger](#)

ENGINEERED IN NYC Adafruit®



4.9 ★★★★★
Google
Customer Reviews