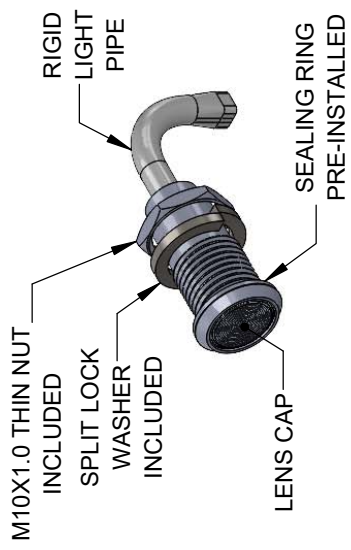
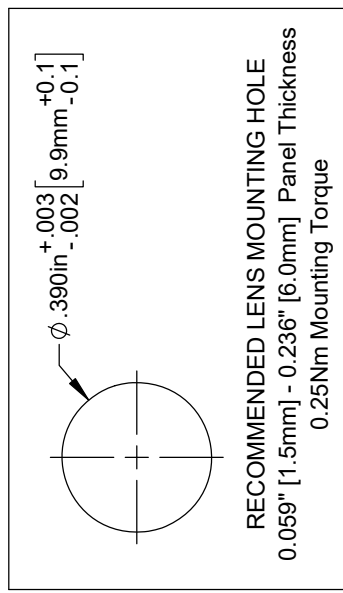
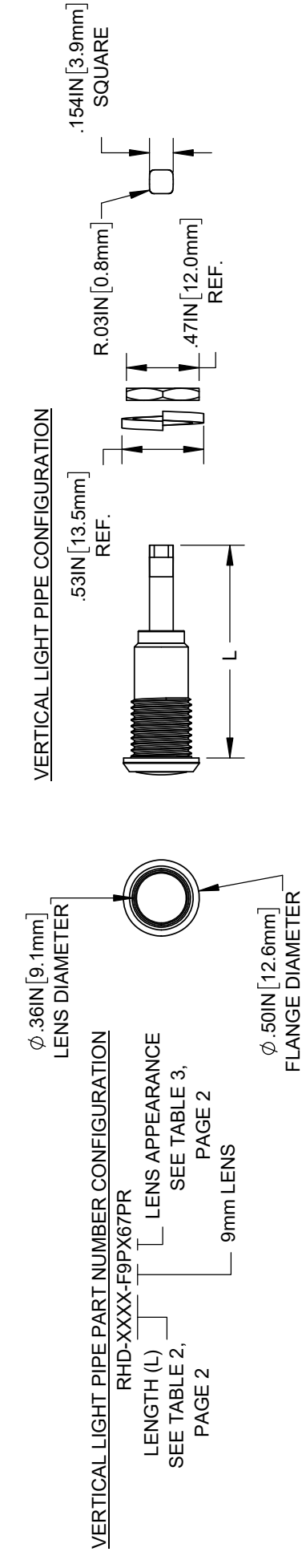
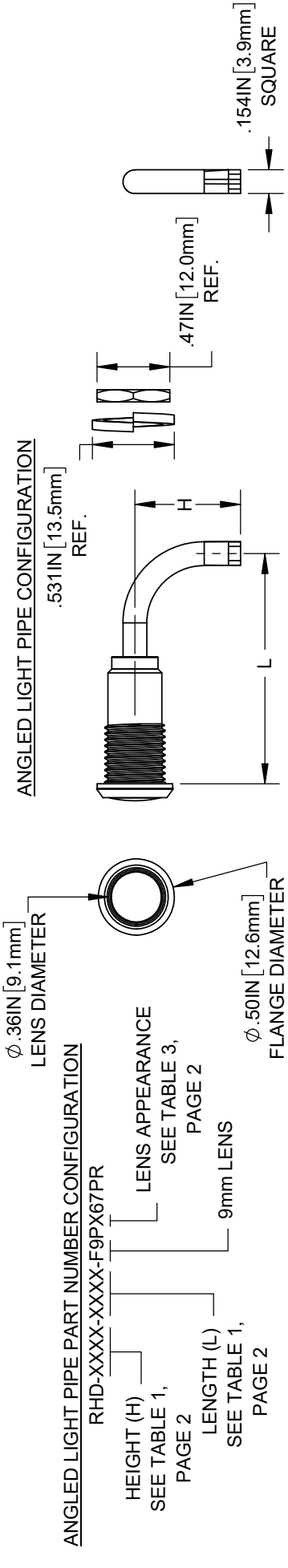


REVISIONS		DATE	APPROVED
REV.	DESCRIPTION		
A	ENGINEERING RELEASE	1/18/2021	A.V.
B	Updated Component Tables	2/16/2021	A.V.
C	Updated Descriptions	3/17/2021	A.V.

NOTES:  
 1. SEALED TO IP67 RATING  
 2. ROHS COMPLIANT  
 3. VERTICAL LIGHT PIPE PRE-ASSEMBLED WITH INSERT AND HOUSING. ANGLED LIGHT PIPE SHIPPED NON-ASSEMBLED  
 4. MOUNTING HARDWARE SHIPPED NON-ASSEMBLED



**CUSTOMER USE DRAWING**

STANDARD TOLERANCE (UNLESS OTHERWISE SPECIFIED)			TITLE: IP67 Rigid Heavy Duty Light Pipe
DECIMALS	X° ± 1°	ANGULAR	DRAWING NO: RHD-XXXX-XXXX-F9PX67PR
.X ± .1	X° ± 1°		REVISION: C
.XX ± .02			SHEET SIZE: A
.XXX ± .010			CAGE CODE: 32559
DESIGNED: K. BARON	DATE: 01/18/2021	CHECKED: A. VALDEZ	SCALE: 2:1
REVISED: K. BARON	DATE: 03/17/2021		SHEET # 1 OF 2
CAD GENERATED DOCUMENT, DO NOT MEASURE DRAWING			

**BIVAR**  
 4 THOMAS, IRVINE, CA. 92618  
 TEL: (949) 951-8808 FAX: (949) 951-3974

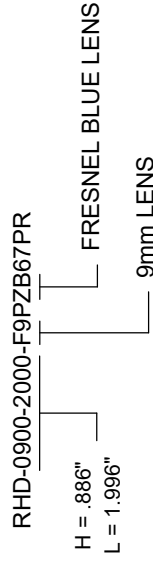
TABLE 1 - ANGLED LIGHT PIPE

ORDER CODE	HEIGHT (H)	LENGTH (L)
0700-1500		1.496 [38.0mm]
0700-2000		1.996 [50.7mm]
0700-2500	.686 [17.4mm]	2.496 [63.4mm]
0700-3000		2.996 [76.1mm]
0700-3500		3.496 [88.8mm]
0900-1500		1.496 [38.0mm]
0900-2000		1.996 [50.7mm]
0900-2500	.886" [22.5mm]	2.496 [63.4mm]
0900-3000		2.996 [76.1mm]
0900-3500		3.496 [88.8mm]
1100-1500		1.496 [38.0mm]
1100-2000		1.996 [50.7mm]
1100-2500	1.136 [28.9mm]	2.496 [63.4mm]
1100-3000		2.996 [76.1mm]
1100-3500		3.496 [88.8mm]

TABLE 3 - LENS APPEARANCE

ORDER CODE	LENS APPEARANCE
Z	FRESNEL CLEAR
ZB	FRESNEL BLUE
ZG	FRESNEL GREEN
ZR	FRESNEL RED
ZY	FRESNEL YELLOW
(BLANK)	CLEAR
D	DIFFUSED
S	SMOKED

SAMPLE PART NUMBER - ANGLED LIGHT PIPE



SAMPLE PART NUMBER - VERTICAL LIGHT PIPE

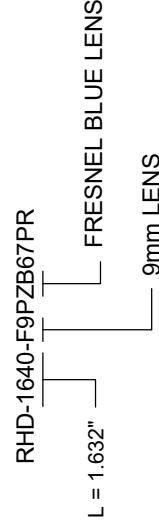


TABLE 2 - VERTICAL LIGHT PIPE

ORDER CODE	LENGTH (L)
1140	1.132 [28.8mm]
1390	1.382 [30.1mm]
1640	1.632 [41.5mm]
1890	1.882 [47.8mm]
2140	2.132 [54.2mm]
2390	2.382 [60.5mm]

**CUSTOMER USE DRAWING**



CAGE CODE: <b>32559</b>	DRAWING NO: RHD-XXXX-XXXX-F9PX67PR	REVISION: <b>C</b>
SHEET SIZE: <b>A</b>	SCALE: 2:1	SHEET # 2 OF 2
CAD GENERATED DOCUMENT, DO NOT MEASURE DRAWING		