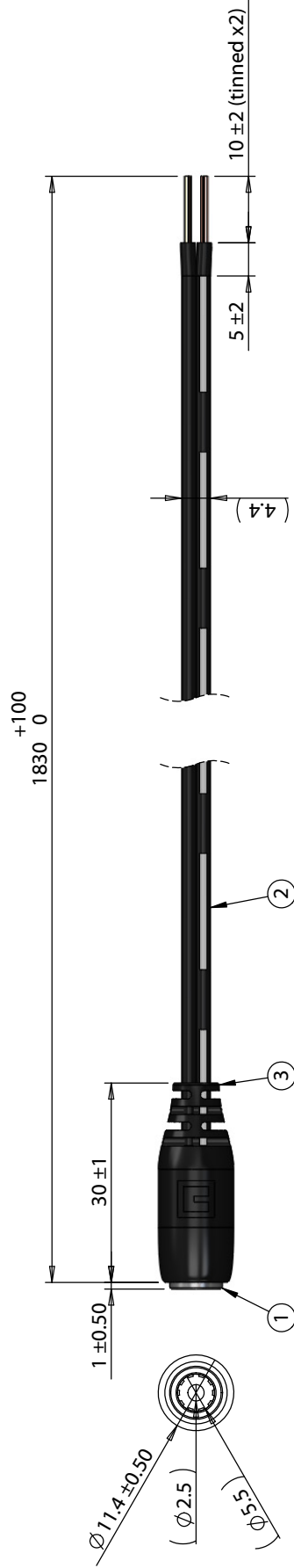


ITEM NO.	PART NUMBER	DESCRIPTION	QTY.	COMPONENT NOTES
1	50-00543	Connector, dc jack, 5.5x2.5x17.6 mm, molding style, spring contacts, nickel plated, 105° C	1	
2	30-01248	Wire, 2C, 18 AWG, UL4384, 300V, 105 °C, 4.4 mm, VW-1, LSZH, XLPE	1	
3	24-00004	Overmold	1	TPE, 105 °C, black



Wiring Diagram	
50-00543	wire color
center	black with stripe
sleeve	black

Revision:	Date:	Description:	Prepared:	Notes:	TENSILITY	
A	10/03/2018	Initial release		RoHS compliant	tel/ 1.541.323.3228 800 877.670.7118 fax 1.541.323.4202 web tensility.com	
			Verified:	Function test: no open, no short circuit, no intermittent	Size:	Part number:
				Low smoke, zero halogen	A	10-03137
			Dimensions are in millimeters. Tolerances: X: ± 0.5 mm XX: ± 0.3 mm XXX: ± 0.05 mm	Description: Cable, 1830 mm, 5.5x2.5 mm 50-00543 dc jack to 10 mm tinned, 18 AWG, 30-01248, LSZH	Scale: 1:1	Sheet 1 of 1