

CRYSTAL UNIT

32.768KHZ

YST310S



Applications

- RTC.

Features

- Dimensions: 3.20 x 1.50 x 0.75 mm.
- High precision and high frequency stability.
- Standard Frequency: 32.768KHz
- Excellent heat resistance and environmental characteristics.

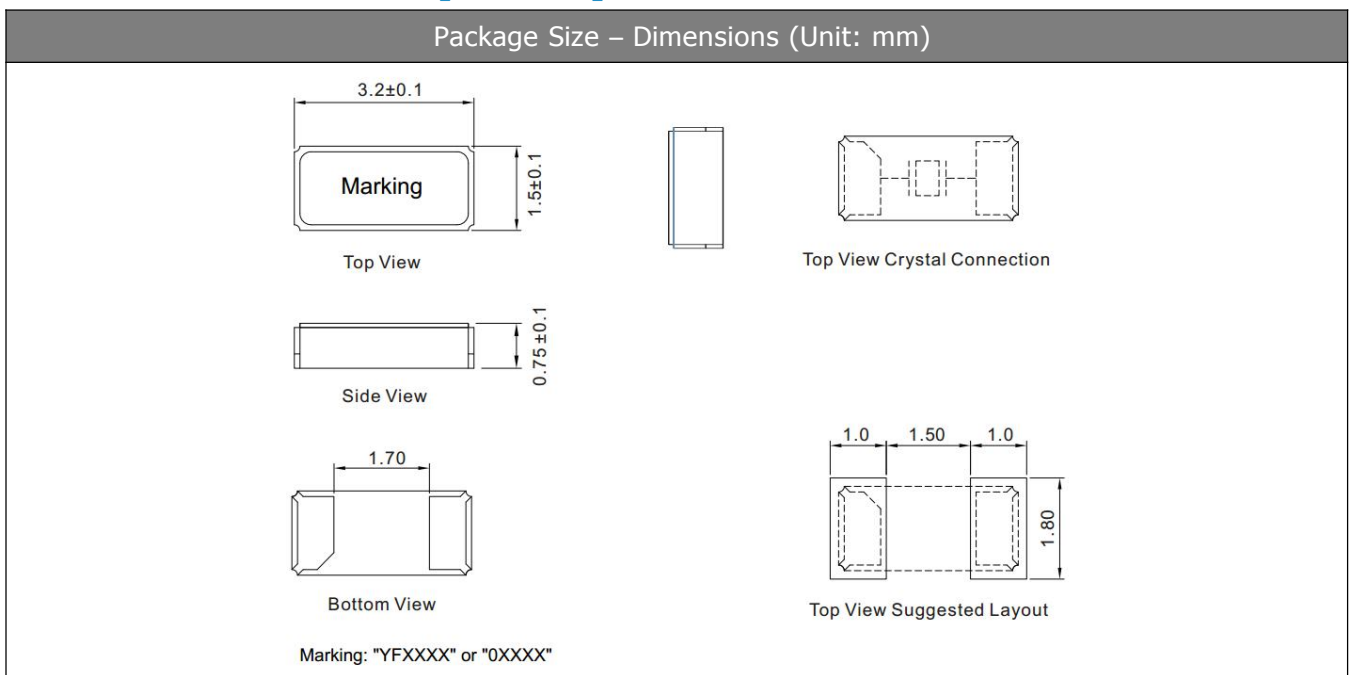
Specifications

| | |
|--------------------------------|--|
| Standard Frequency | 32.768 KHz |
| Load Capacitance | 7pF, 9pF, 12.5pF, or specify |
| Frequency Tolerance (at 25 °C) | ±10ppm, ±20ppm, or specify |
| Parabolic Coefficient | $(-0.03 \pm 0.01) \times 10^{-6} / ^\circ\text{C}^2$ |
| Operating Temperature | -20~+70°C, -40~+85°C, or specify |
| Storage Temperature | -55~+125°C |
| Shunt Capacitance | 1.2 pF Max. |
| Motional Capacitance | 4.4fF |
| Level of Drive | 1.0µWMax |
| Aging (at 25 °C) | ±3ppm/year Max. |

Equivalent Series Resistance(ESR)

| |
|------------|
| YST310S |
| 70K Ω Max. |

Dimensions and Patterns [unit:mm]



CRYSTAL UNIT

32.768KHZ

YST310S

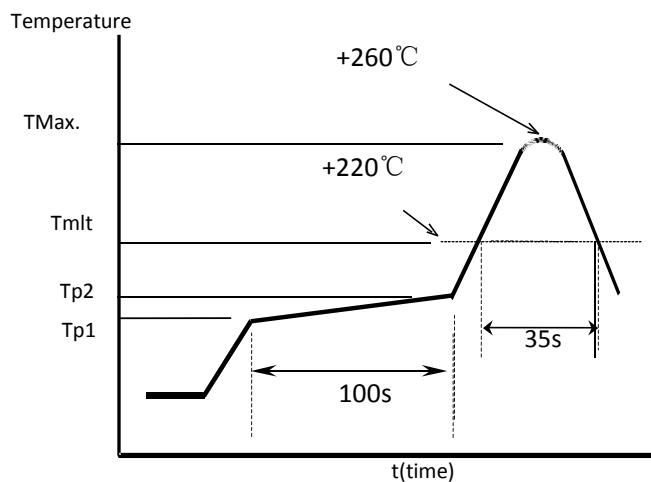


Reflow Soldering Profile

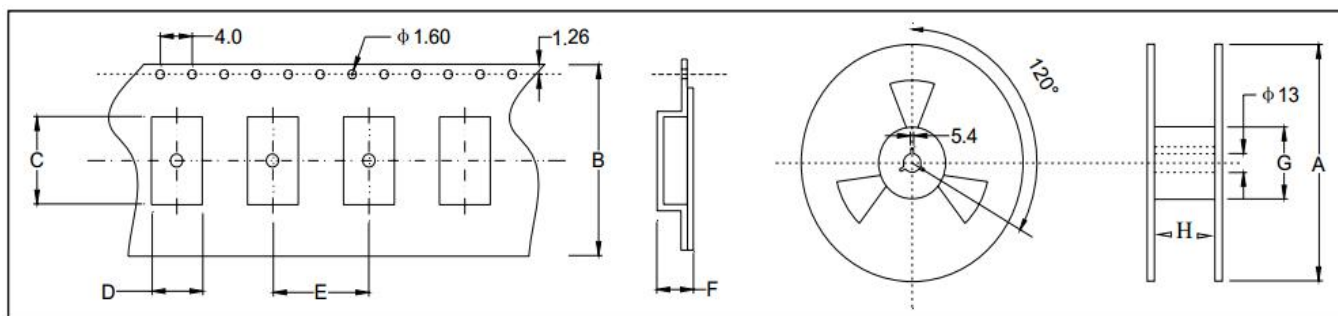
Pre Heating Temperature
 Tp1 ~ Tp2 = + 170 °C
 Heating Temperature
 TMI = + 220 °C
 Peak Temperature
 TMax. = + 260 °C

Point of measuring
 In case of Solder ability

Terminal.
 In case of Resistance to soldering heat
 Surface.



Taping Specification(Unit: mm)



| Size | A | B | C | D | E | F | G | H |
|----------|---------|----------|----------|----------|---------|----------|----------|----------|
| SMD-3215 | 180±2.0 | 12.0±0.3 | 3.45±0.1 | 1.75±0.1 | 4.0±0.1 | 1.05±0.1 | 61.0±1.0 | 12.0±1.0 |

3000 pcs per reel