

# GBU15B Thru GBU15M

**High Current Glass Passivated Molding Single-Phase Bridge Rectifier**

**Reverse Voltage 100 to 1000V Forward Current 15 A**

## FEATURES

- Plastic Package has Underwriters Laboratory Flammability Classification 94V-0
- High current capacity with small package
- Glass passivated chip junctions
- Superior thermal conductivity
- High IFSM



## 1. Maximum & Thermal Characteristics Ratings at 25 °C ambient temperature unless otherwise specified.

| Parameter Symbol  | Symbol           | GBU15B                                     | GBU15D | GBU15G | GBU15J | GBU15K | GBU15M | Unit               |
|---|------------------|--|--------|--------|--------|--------|--------|--------------------|
| Maximum repetitive voltage  | VRRM             | 100  | 200    | 400    | 600    | 800    | 1000   | V                  |
| Maximum RMS Voltage   | VRMS             | 70   | 140    | 280    | 420    | 560    | 700    | V                  |
| Maximum DC Blocking Voltage   | VDC              | 100  | 200    | 400    | 600    | 800    | 1000   | V                  |
| Maximum DC reverse current TA=25  | IR               | 5  |        |        |        |        |        | μA                 |
| at rated DC blocking voltage TA=125   |                  | 500  |        |        |        |        |        |                    |
| Maximum average forward rectified output current at Tc=100                        | Io               | 15   |        |        |        |        |        | A                  |
| Peak forward surge current 8.3ms single half sine-wave superimposed on rated load | IFSM             | 250  |        |        |        |        |        | A                  |
| Rating of fusing (t<8.3ms)  | i <sup>2</sup> t | 240  |        |        |        |        |        | A <sup>2</sup> sec |
| Dielectric strength terminals to case , AC 1 minute Current 1mA                   | Vdia             | 2.5  |        |        |        |        |        | KV                 |
| Max instantaneous forward voltage at 7.5A   | VF               | 1.05                                       |        |        |        |        |        | V                  |
| Maximum thermal on P.C.B. without heat-sink                                       | R <sub>θJA</sub> | 21   |        |        |        |        |        | /W                 |
| resistance per leg on Al plate heat-sink  | R <sub>θJC</sub> | 2.2  |        |        |        |        |        |                    |
| Operating junction temperature  | TJ               | -55~150                                    |        |        |        |        |        |                    |
| Storage temperature   | Tstg             | -55~150                                    |        |        |        |        |        |                    |
| Mounting torque   | Tor              | Rating Torque : 0.8 ( Suggests 0.45~0.65 ) |        |        |        |        |        | N.m                |

# GBU15B Thru GBU15M

## 2. Ratings and Characteristic Curves ( $T_A = 25^\circ\text{C}$ unless otherwise noted )

Fig. 1 Derating Curve

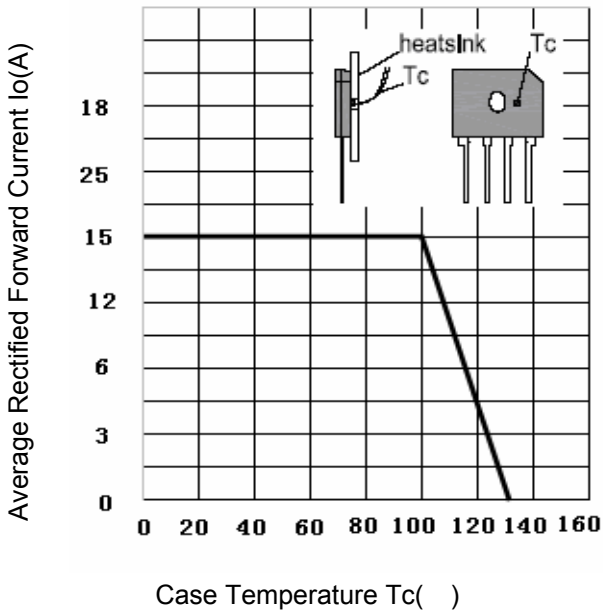


Fig.2 Typical Reverse Characteristics

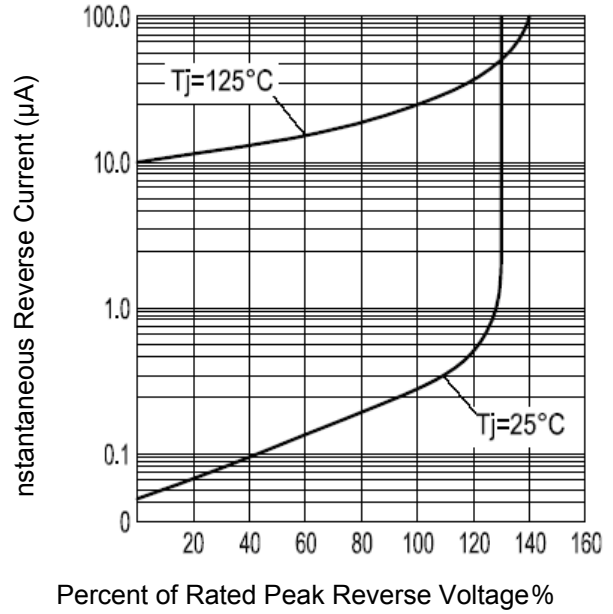


Fig.3 Forward Voltage

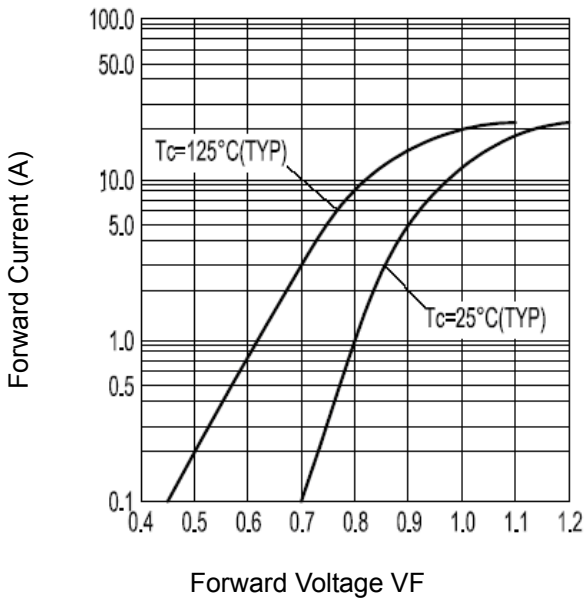
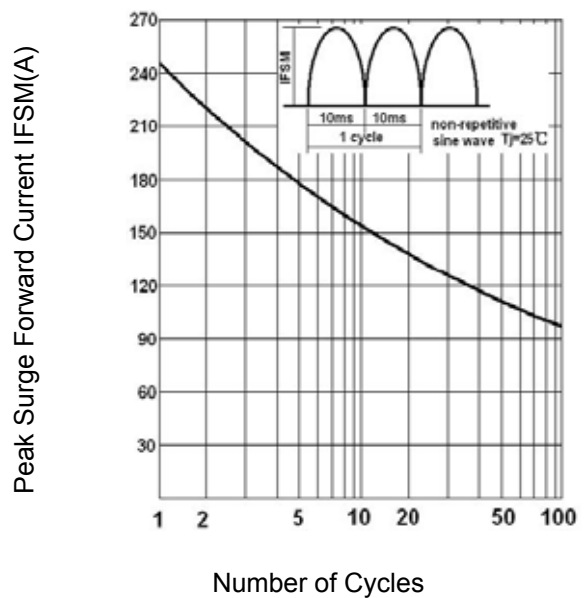
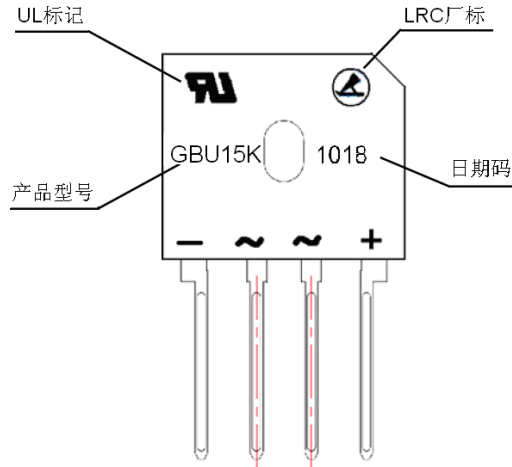


Fig.4 Peak Surge Forward Capability



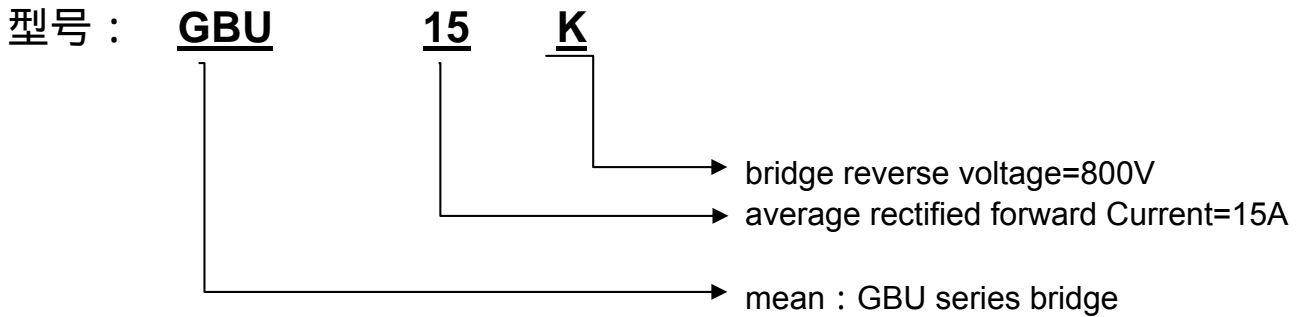
# GBU15B Thru GBU15M

## 3. Marking Identification



**Note :**

生产日期码包含4位数字，例如“1018”，前两个数字“10”表示为2010年，另外二个数字“18”是指第18周，即表示该产品为2010年18周生产。



## 4. Dimension

