

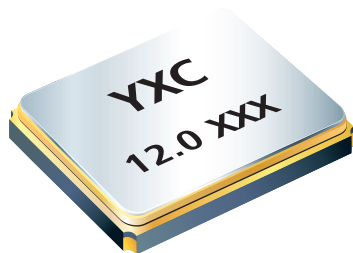


给您一颗快乐的“芯”！

YSX321SL



Features



- External dimensions: 3.2 x 2.5 x 0.8 mm.
- Frequency range: 11.0592MHz ~ 54MHz.
- High precision and high frequency stability.
- Extremely good for reducing EMI effect.
- RoHS Compliant / Pb Free.
- The best choice of Bluetooth, wireless communication set, DSC, PDA and mobile phone.

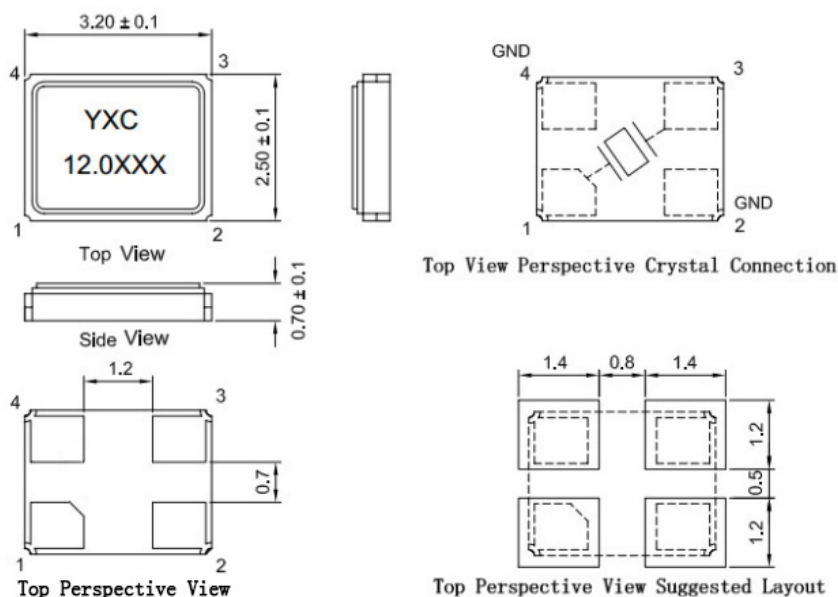
Electrical Specifications

| Item / Type | YSX321SL |
|--|--|
| Nominal Frequency Range | 11.0592~ 54 MHz |
| Vibration Mode | AT Fundamental |
| Load Capacitance | 12pF, 20pF, or specify |
| Frequency Tolerance (at 25 °C) | ± 10 ppm, ± 20 ppm, or specify |
| Frequency Versus Temperature Characteristics | ±20 ppm, or specify |
| Operating Temperature | - 20 ~ + 70 °C , - 40 ~ + 85 °C , or specify |
| Storage Temperature | - 40 ~ + 85 °C , or specify |
| Shunt Capacitance | 7 pF Max. |
| Level Of Drive | 1~100 μ W Max. (10 uW typical) |
| Frequency Aging (at 25 °C) | ± 3 ppm / year Max. |
| Insulation Resistance | More Than 500MΩ at DC 100V |

Equivalent Series Resistance(ESR)

| Fundamental | |
|------------------|-----------|
| 11.0592 ~ 16 MHz | 80 Ω Max. |
| 16 ~ 20 MHz | 60 Ω Max. |
| 20 ~ 54 MHz | 40 Ω Max. |

Dimensions



Units: mm



给您一颗快乐的“芯”！

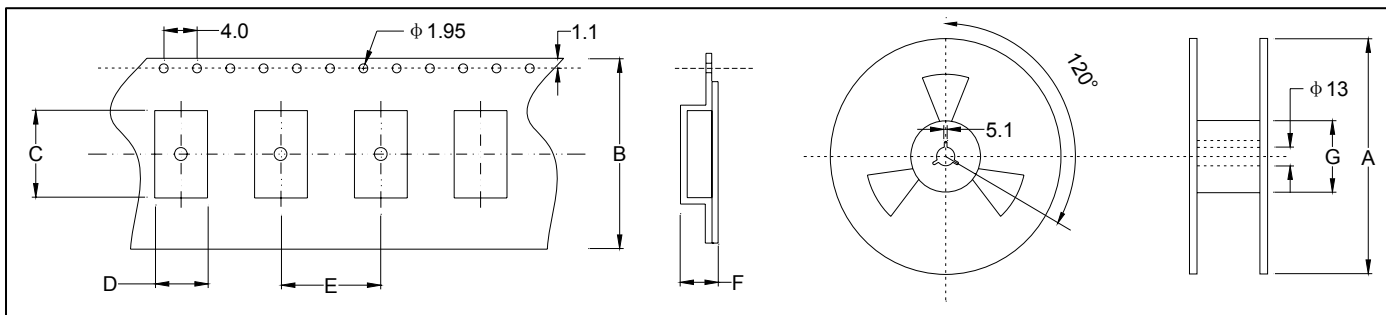
YSX321SL



★ PART NUMBER GUIDE 部件号示例 e.g. X322512MSB4SC YSX321SL = 3.2 × 2..5 SMD SEAM TYPE

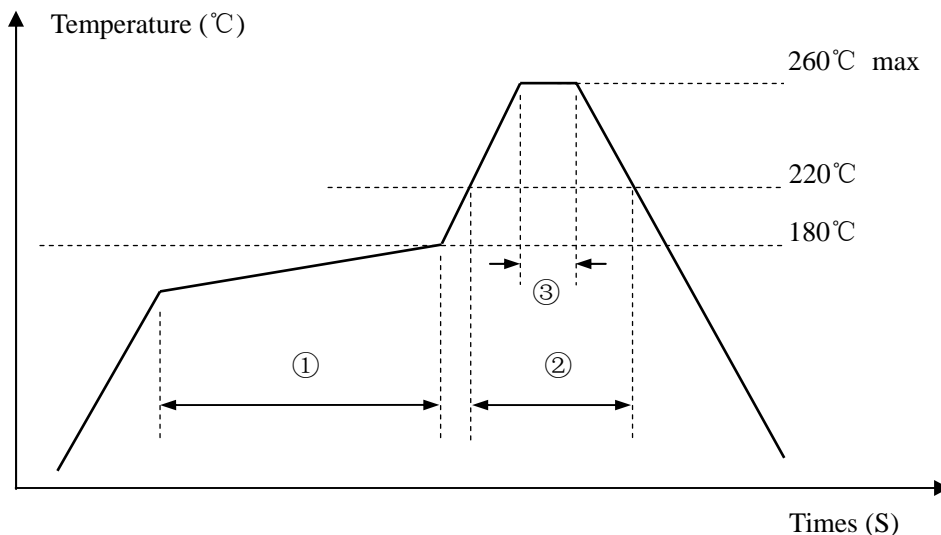
| Quartz Crystal Resonator | Dimensions | Frequency (Hz) | Load Capacitance (Pf) | Frequency Stability Overall (ppm) | Pin | Material | Operating Temp. Range |
|--------------------------|------------|----------------|-----------------------|-----------------------------------|-----|----------|-----------------------|
| X | 3225 | 12M | S | B | 4 | S | C |

★ TAPING SPECIFICATION (Unit: mm) 编带规格



| | A | B | C | D | E | F | G |
|-------------------|-----------|------------|-------------|-------------|------------|-------------|------------|
| SMD3225 | 178 ± 2.0 | 8.03 ± 0.3 | 3.81 ± 0.10 | 3.04 ± 0.10 | 3.84 ± 0.1 | 1.54 ± 0.10 | 62.0 ± 1.0 |
| 3000 pcs per reel | | | | | | | |

★ REFLOW SOLDERING PROFILE 回流焊特性



| Pb free reflow A | ① | Preheat | 160~180°C | 120sec. max |
|---------------------|---|--------------|-----------|-------------|
| | ② | Primary heat | 220°C | 60sec. max |
| | ③ | Peak | 260°C | 10sec. max. |