

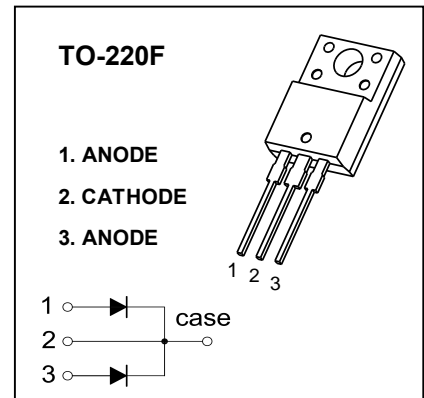
TO-220F Plastic-Encapsulate Diodes

MBR1030, 35, 40, 45, 50FCT

SCHOTTKY BARRIER RECTIFIER

FEATURES

- Schottky Barrier Chip
- Guard Ring Die Construction for Transient Protection
- Low Power Loss, High Efficiency
- High Surge Capability
- High Current Capability and Low Forward Voltage Drop
- For Use in Low Voltage, High Frequency Inverters, Free Wheeling, and Polarity Protection Applications



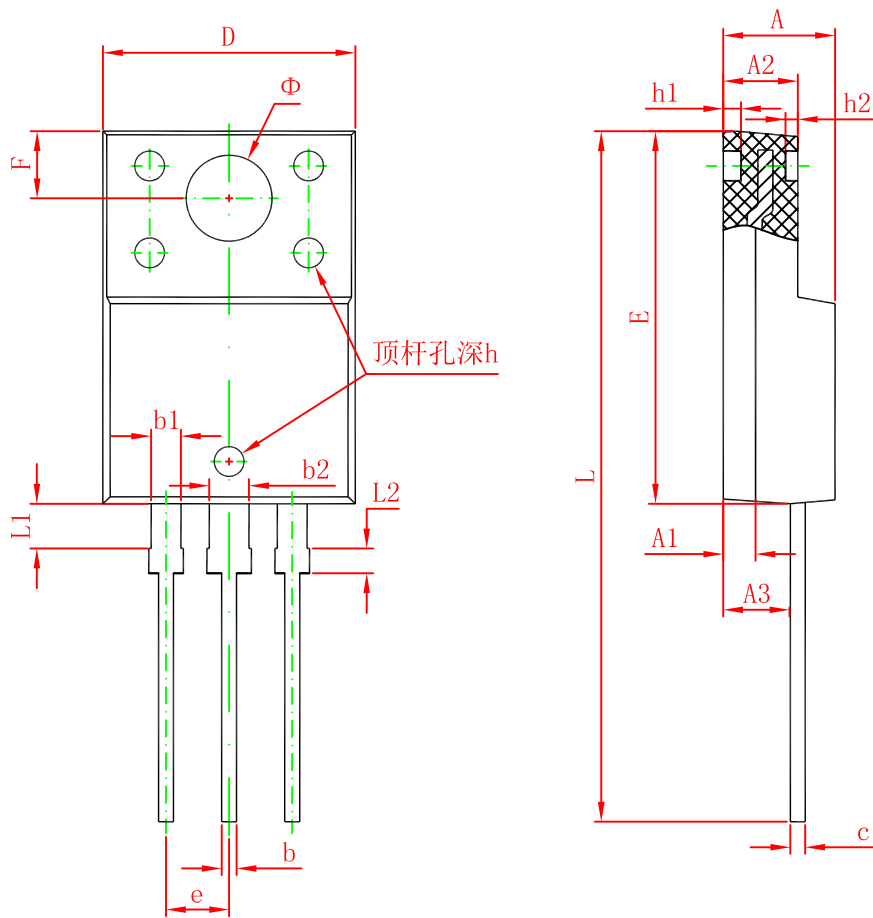
MAXIMUM RATINGS ($T_a=25^\circ\text{C}$ unless otherwise noted)

Symbol	Parameter	Value					Unit
		MBR10 30FCT	MBR10 35FCT	MBR10 40FCT	MBR10 45FCT	MBR10 50FCT	
V_{RRM}	Peak repetitive reverse voltage	30	35	40	45	50	V
V_{RWM}	Working peak reverse voltage						
V_R	DC blocking voltage						
$V_{R(RMS)}$	RMS reverse voltage	21	24.5	28	31.5	35	V
I_o	Average rectified output current	10					A
I_{FSM}	Non-Repetitive peak forward surge current 8.3ms half sine wave	120					A
P_D	Power dissipation	2					W
$R_{\theta JA}$	Thermal resistance from junction to ambient	50					$^\circ\text{C}/\text{W}$
T_j	Junction temperature	125					$^\circ\text{C}$
T_{stg}	Storage temperature	-55~+150					$^\circ\text{C}$

ELECTRICAL CHARACTERISTICS (T_a=25°C unless otherwise specified)

Parameter	Symbol	Device	Test conditions	Min	Typ	Max	Unit
Reverse voltage	V _(BR)	MBR1030FCT	I _R =0.1mA	30			V
		MBR1035FCT		35			
		MBR1040FCT		40			
		MBR1045FCT		45			
		MBR1050FCT		50			
Reverse current	I _R	MBR1030FCT	V _R =30V			0.1	mA
		MBR1035FCT	V _R =35V				
		MBR1040FCT	V _R =40V				
		MBR1045FCT	V _R =45V				
		MBR1050FCT	V _R =50V				
Forward voltage	V _{F(1)}	MBR1030FCT	I _F =5A			0.7	V
		MBR1035FCT					
		MBR1040FCT					
		MBR1045FCT					
		MBR1050FCT			0.8		
	V _{F(2)}	MBR1030FCT	I _F =10A			0.84	
		MBR1035FCT					
		MBR1040FCT					
		MBR1045FCT					
		MBR1050FCT			0.95		
Typical total capacitance	C _{tot}	MBR1030-50FCT	V _R =4V,f=1MHz		150		pF

TO-220F Package Outline Dimensions



Symbol	Dimensions In Millimeters		Dimensions In Inches	
	Min.	Max.	Min.	Max.
A	4.300	4.700	0.169	0.185
A1	1.300 REF.		0.051 REF.	
A2	2.800	3.200	0.110	0.126
A3	2.500	2.900	0.098	0.114
b	0.500	0.750	0.020	0.030
b1	1.100	1.350	0.043	0.053
b2	1.500	1.750	0.059	0.069
c	0.500	0.750	0.020	0.030
D	9.960	10.360	0.392	0.408
E	14.800	15.200	0.583	0.598
e	2.540 TYP.		0.100 TYP.	
F	2.700 REF.		0.106 REF.	
Φ	3.500 REF.		0.138 REF.	
h	0.000	0.300	0.000	0.012
h1	0.800 REF.		0.031 REF.	
h2	0.500 REF.		0.020 REF.	
L	28.000	28.400	1.102	1.118
L1	1.700	1.900	0.067	0.075
L2	0.900	1.100	0.035	0.043