

具有 BC1.2 CDP 的 TUSB214 USB 2.0 高速信号调节器

1 特性

- 与 USB 2.0、OTG 2.0 和 BC 1.2 兼容
- 引脚搭接或可通过 I²C 进行配置
- BC1.2 充电下行端口 (CDP) 控制器
- 支持 LS、FS 和 HS 信号传输
- 超低 USB 断开和关断功耗
- 在高损耗应用中通过菊花链设备实现可选信号增益
- D1P/M 和 D2P/M 可互换且主机/设备不可知
- 支持长达 5 米的通道前或 2 米的通道后电缆长度
 - 通过外部下拉电阻器实现四种可选交流升压设置
 - 直流升压与交流升压，可实现最佳信号完整性

2 应用

- 笔记本电脑
- 台式机
- 扩展坞
- 平板电脑
- 手机
- 有源电缆、电缆扩展器
- 背板
- 电视

3 说明

TUSB214 是一款 USB 高速 (HS) 信号调节器，专为补偿传输通道中的 ISI 信号损失而设计。

TUSB214 采用了对 USB 低速 (LS) 和全速 (FS) 信号无感知的设计，该设计正在申请专利。LS 和 FS 信号特征不受 TUSB214 的影响，但该器件会对 HS 信号进行补偿。

借助可编程信号交流升压和直流升压，可精调器件性能，从而优化连接器上的高速信号。这有助于通过 USB 高速电气合规性测试。

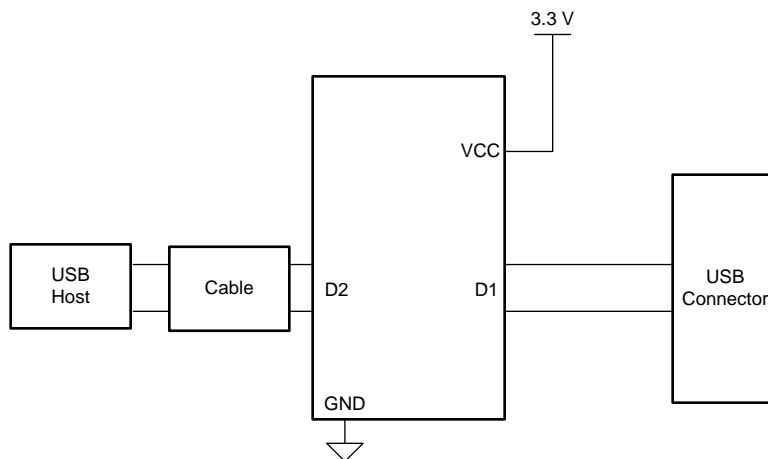
此外，TUSB214 符合 USB On-The-Go (OTG) 和电池充电 (BC) 协议。TUSB214 配有 BC1.2 充电下行端口 (CDP) 控制器，可用于 USB 主机或集线器不支持此类协议的应用。

器件信息 (1)

器件型号	封装	封装尺寸 (标称值)
TUSB214 TUSB214I	X2QFN (12)	1.60mm x 1.60mm

(1) 如需了解所有可用封装，请参阅产品说明书末尾的可订购产品附录。

简化的原理图



Copyright © 2017, Texas Instruments Incorporated



目录

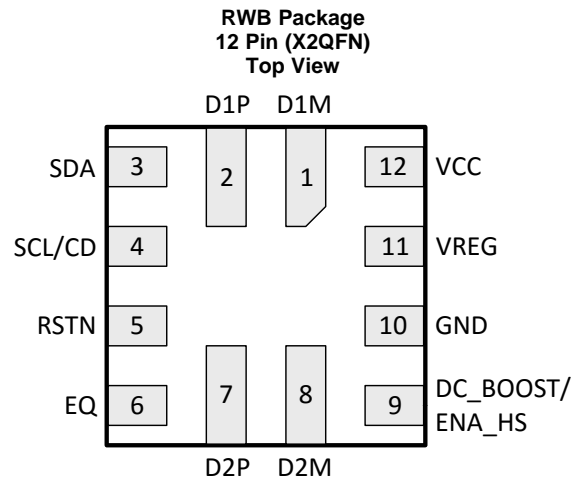
1	特性	1	7.4	Device Functional Modes.....	9
2	应用	1	8	Application and Implementation	11
3	说明	1	8.1	Application Information.....	11
4	修订历史记录	2	8.2	Typical Application	11
5	Pin Configuration and Functions	3	9	Power Supply Recommendations	18
6	Specifications	4	10	Layout	19
6.1	Absolute Maximum Ratings	4	10.1	Layout Guidelines	19
6.2	ESD Ratings.....	4	10.2	Layout Example	19
6.3	Recommended Operating Conditions.....	4	11	器件和文档支持	20
6.4	Thermal Information	4	11.1	文档支持	20
6.5	Electrical Characteristics.....	5	11.2	接收文档更新通知	20
6.6	Switching Characteristics	6	11.3	社区资源.....	20
6.7	Typical Characteristics	7	11.4	商标.....	20
7	Detailed Description	8	11.5	静电放电警告.....	20
7.1	Overview	8	11.6	Glossary	20
7.2	Functional Block Diagram	8	12	机械、封装和可订购信息.....	20
7.3	Feature Description.....	8			

4 修订历史记录

注：之前版本的页码可能与当前版本有所不同。

Changes from Original (August 2017) to Revision A	Page
• Changed Note From: Pull-up resistors for SDA and SCL pins in I ² C mode should be 2 kΩ (5%). To: Pull-up resistors for SDA and SCL pins in I ² C mode should be 4.7 kΩ (5%) in the <i>Pin Functions</i> table.....	3
• Added Test Conditions to RSTN: V _{IH} and V _{IL} in the <i>Electrical Characteristics</i> table.....	5
• Added new parameters to SCL/SDA: V _{IH} , V _{IL} , V _{SDA_OL} , I _{SDA_OL} the <i>Electrical Characteristics</i> table	5
• Added Test Conditions To: DC_BOOST: V _{IH} , V _{IM} , and V _{IL} the <i>Electrical Characteristics</i> table	5
• Added test conditions to t _{rise_dxx} and t _{fall_dxx} in the <i>Switching Characteristics</i> table	6

5 Pin Configuration and Functions



Pin Functions

PIN		I/O	INTERNAL PULLUP/PULLDOWN	DESCRIPTION
NAME	NO.			
D1M	1	I/O	N/A	USB High Speed negative port..
D1P	2	I/O	N/A	USB High Speed positive port.
SDA ⁽¹⁾	3	I/O	RSTN asserted: 500 kΩ PD	I2C Mode: Bidirectional I2C data pin [I2C address = 0x2C]. In non I2C mode: Reserved for TI test purpose.
SCL ⁽¹⁾ /CD	4	I/O	RSTN asserted: 500 kΩ PD	In I2C mode: I2C clock pin [I2C address = 0x2C]. Non I2C mode: After reset: Output CD. Flag indicating that a USB device is attached (connection detected). Asserted from an unconnected state upon detection of DP or DM pull-up resistor. De-asserted upon detection of disconnect.
RSTN	5	I	500 kΩ PU	Device disable/enable. Low – Device is at reset and in shutdown, and High – Normal operation. Recommend 0.1-μF external capacitor to GND to ensure clean power on reset if not driven. If the pin is driven, it must be held low until the supply voltage for the device reaches within specifications.
EQ	6	I	N/A	USB High Speed AC boost select via external pull down resistor. Sampled upon de-assertion of RSTN. Does not recognize real time adjustments. Auto selects max AC Boost when left floating.
D2P	7	I/O	N/A	USB High Speed positive port.
D2M	8	I/O	N/A	USB High Speed negative port.
DC_BOOST ⁽²⁾ / ENA_HS	9	I/O		In I2C mode: Reserved for TI test purpose. In non-I2C mode: At reset: 3-level input signal DC_BOOST. USB High Speed DC signal boost selection. H (pin is pulled high) – 80 mV M (pin is left floating) – 60 mV L (pin is pulled low) – 40 mV After reset: Output signal ENA_HS. Flag indicating that channel is in High Speed mode. Asserted upon: 1. Detection of USB-IF High Speed test fixture from an unconnected state followed by transmission of USB TEST_PACKET pattern. 2. Squelch detection following USB reset with a successful HS handshake [HS handshake is declared to be successful after single chirp J chirp K pair where each chirp is within 18 μs – 128 μs].
GND	10	P	N/A	Ground
VREG	11	O	N/A	1.8-V LDO output. Only enabled when operating in High Speed mode. Requires 0.1-μF external capacitor to GND to stabilize the core.
VCC	12	P	N/A	Supply power

- (1) Pull-up resistors for SDA and SCL pins in I²C mode should be 4.7 kΩ (5%). If both SDA and SCL are pulled up at reset the device enters into I²C mode.
- (2) Pull-down and pull-up (to 3.3 V) resistors for DC_BOOST pins must be between 22 kΩ to 47 kΩ in non I²C mode.

6 Specifications

6.1 Absolute Maximum Ratings

over operating free-air temperature and voltage range (unless otherwise noted)⁽¹⁾

		MIN	MAX	UNIT
Supply Voltage Range	VCC	-0.3	3.8	V
Voltage Range on I/O pins	DxP, DxM, RSTN, EQ, SCL, SDA, DC_BOOST, VREG	-0.3	3.8	V
T _{stg}	Storage temperature	-65	150	°C

- (1) Stresses beyond those listed under *Absolute Maximum Rating* may cause permanent damage to the device. These are stress ratings only, which do not imply functional operation of the device at these or any other conditions beyond those indicated under *Recommended Operating Condition*. Exposure to absolute-maximum-rated conditions for extended periods may affect device reliability.

6.2 ESD Ratings

		VALUE	UNIT
V _(ESD)	Electrostatic discharge	±2000	V
		±500	

- (1) JEDEC document JEP155 states that 500-V HBM allows safe manufacturing with a standard ESD control process.

- (2) JEDEC document JEP157 states that 250-V CDM allows safe manufacturing with a standard ESD control process.

6.3 Recommended Operating Conditions

over operating free-air temperature and voltage range (unless otherwise noted)

		MIN	NOM	MAX	UNIT
V _{CC}	Supply Voltage	3	3.3	3.6	V
T _A	Ambient temperature	TUSB214		70	°C
		TUSB214I	-40	85	°C
T _J	Junction temperature	TUSB214		85	°C
		TUSB214I	-40	105	°C

6.4 Thermal Information

THERMAL METRIC ⁽¹⁾		TUSB214	UNIT
		RWB (VQFN)	
		12 PINS	
R _{θJA}	Junction-to-ambient thermal resistance	137.4	°C/W
R _{θJC(top)}	Junction-to-case (top) thermal resistance	62	°C/W
R _{θJB}	Junction-to-board thermal resistance	67.2	°C/W
Ψ _{JT}	Junction-to-top characterization parameter	1.9	°C/W
Ψ _{JB}	Junction-to-board characterization parameter	67.3	°C/W
R _{θJC(bot)}	Junction-to-case (bottom) thermal resistance	N/A	°C/W

- (1) For more information about traditional and new thermal metrics, see the [Semiconductor and IC Package Thermal Metrics](#) application report.

6.5 Electrical Characteristics

over operating free-air temperature and voltage range (unless otherwise noted)

PARAMETER		TEST CONDITIONS	MIN	TYP	MAX	UNIT
POWER						
I_{ACTIVE_HS}	High-speed (HS) active current	USB channel = HS mode; 480 Mbps traffic; $V_{CC} = 3.3V$; V_{CC} supply stable; DC Boost = 60 mV		22	30	mA
I_{IDLE_HS}	High-speed idle current	USB channel = HS mode; no traffic; $V_{CC} = 3.3V$; V_{CC} supply stable; DC Boost = 60 mV		14	22	mA
$I_{SUSPEND_HS}$	High-speed suspend current	USB channel = HS suspend mode; $V_{CC} = 3.3V$; V_{CC} supply stable		0.55	1.5	mA
I_{FS_LS}	Full/Low speed current	USB channel = FS mode or LS mode; $V_{CC} = 3.3V$		0.6	1.5	mA
$I_{DISCONNECT}$	Disconnect current	Host side application; No device attachment; $V_{CC} = 3.3V$		0.7	1.5	mA
I_{RSTN}	Disable current	RSTN driven low; V_{CC} supply stable; $V_{CC} = 3.3V$		13	80	μA
I_{LKG_FS}	Pin fail-safe leakage current for SDA, SCL, DC_BOOST, DxP/N, RSTN	$V_{CC} = 0 V$; Pin at 3.6 V			40	μA
RSTN						
V_{IH}	High-level input voltage	$V_{CC} = 3.0V$	2		3.6	V
V_{IL}	Low-level input voltage	$V_{CC} = 3.6V$	0		0.8	V
I_{IH}	High-level input current	$V_{IH} = 3.6 V$	-4		4	μA
I_{IL}	Low-level input current	$V_{IL} = 0 V$	-11		11	μA
EQ						
R_{EQ}	External pull-down resistor on EQ pin.	AC Boost Level 0			160	Ω
		AC Boost Level 1	1.4		2	k Ω
		AC Boost Level 2	3.7		3.9	k Ω
		AC Boost Level 3	6			k Ω
CD, ENA_HS						
V_{OH}	High-level output voltage	$I_O = -50\mu A$	2.4			V
V_{OL}	Low-level output voltage	$I_O = 50\mu A$			0.4	V
SCL, SDA						
C_{I2CBUS}	I2C Bus capacitance		4		150	pF
V_{IH}	SDA and SCL input high level voltage	$V_{CC} = 3.0V$	2		3.6	V
V_{IL}	SDA and SCL input low level voltage	$V_{CC} = 3.6V$			0.8	V
V_{SDA_OL}	SDA low level output voltage	4.7k Ω pullup to 3.6V; $V_{CC} = 3.0V$			0.4	V
I_{SDA_OL}	SDA low level output current	$V_{CC} = 3.6V$	1.1			mA
DC_BOOST						
V_{IH}	High-level input voltage	$V_{CC} = 3.3V$	2.4		3.6	V
V_{IM}	Mid-level input voltage	$V_{CC} = 3.3V$		1.6		V
V_{IL}	Low-level input voltage	$V_{CC} = 3.3V$	0		0.4	V
DxP, DxM						
C_{IO_DXX}	Capacitance to GND	Measured with LCR meter and device powered down. 1 MHz sinusoid, 30 mVpp ripple		2.4		pF

6.6 Switching Characteristics

over operating free-air temperature and voltage range (unless otherwise noted)

PARAMETER	TEST CONDITIONS	MIN	TYP	MAX	UNIT
F_{BR_DXX}	DxP/M bit rate			480.24	Mbps
t_{RISE_DXX}	DxP/M rise time	10% - 90%; $V_{CC} = 3.6V$; Max AC Gain;			ps
t_{FALL_DXX}	DxP/M fall time	90% - 10%; $V_{CC} = 3.6V$; Max AC Gain;			ps
t_{RSTN_PU} LSE_WIDT H	Minimum width to detect a valid RSTN signal assert when the pin is actively driven	$V_{CC} = 3.0 V$; Refer to 图 1		20	μs
t_{STABLE}	VCC stable before RSTN de-assertion	Refer to 图 1		100	μs
t_{VCC_RAM} P	VCC ramp time			100	ms

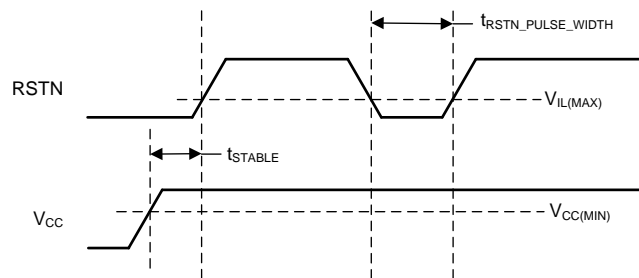


图 1. Power On and Reset Timing

6.7 Typical Characteristics

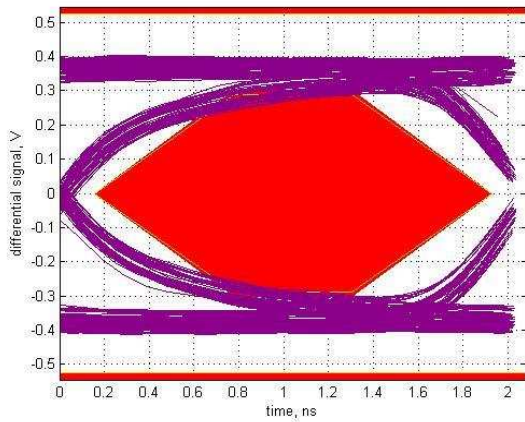


图 2. USB2.0 HS Eye Diagram, Host far-end with 2m cable post-channel loss without TUSB214

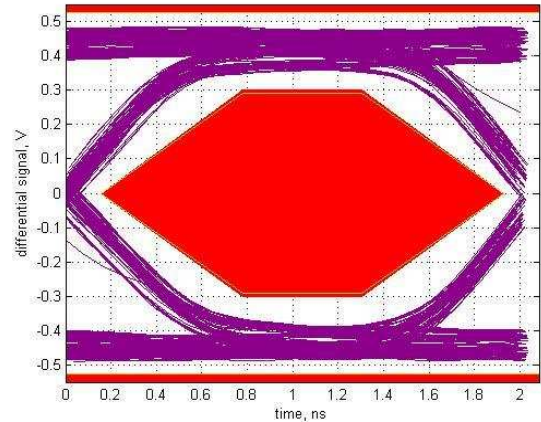


图 3. USB 2.0 HS Eye Diagram, Host far-end with 2m cable post-channel loss with TUSB214

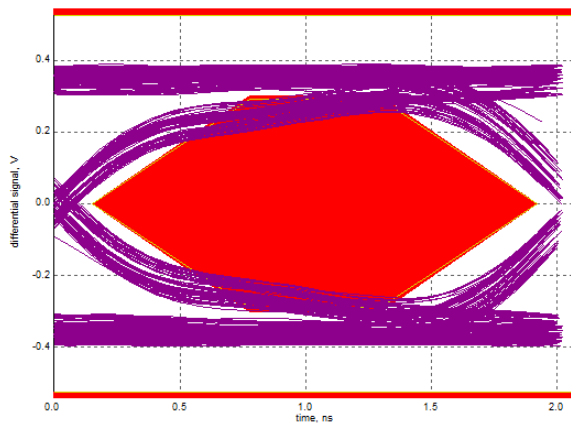


图 4. USB2.0 HS Eye Diagram, Host far-end with 5m cable pre-channel loss without TUSB214

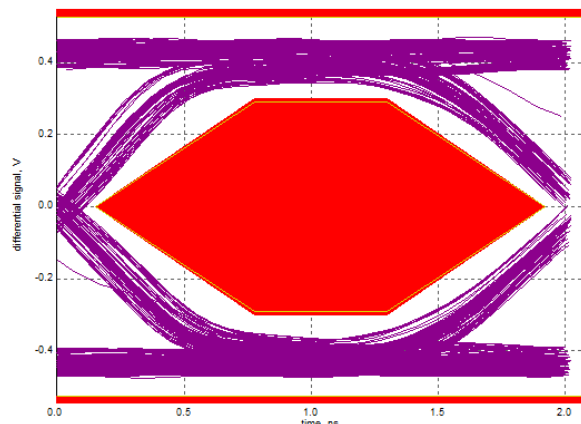


图 5. USB2.0 HS Eye Diagram, Host far-end with 5m cable pre-channel loss with TUSB214

7 Detailed Description

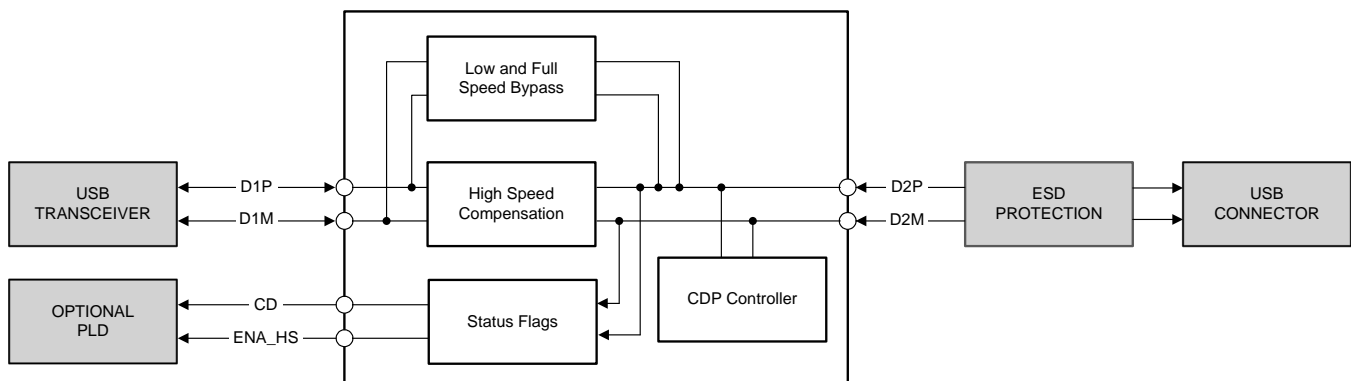
7.1 Overview

The TUSB214 is a USB High-Speed (HS) signal conditioner, designed to compensate for ISI signal loss in a transmission channel. TUSB214 has a patent-pending design which is agnostic to USB Low Speed (LS) and Full Speed (FS) signals and does not alter their signal characteristics, while HS signals are compensated. In addition, the design is compatible with USB On-The-Go (OTG) and Battery Charging (BC) specifications. The TUSB214 includes a USB BC Charging Downstream Port (CDP) controller.

Programmable signal gain through an external resistor permits fine tuning device performance to optimize signals helping to pass USB HS electrical compliance tests at the connector. Additional DC boost configurable by three level input DC_BOOST helps overcoming the cable losses.

The footprint of TUSB214 allows a board layout using this device such that it does not break the continuity of the DP/DM signal traces. This permits risk free system design of a complete USB channel with flexible use of one or multiple TUSB214 devices as needed for optimal signal integrity. This allows system designers to plan for this device and use it only if signal integrity analysis and/or lab measurements show a need. If such a need is not warranted, the device can be left unpopulated without any board rework.

7.2 Functional Block Diagram



7.3 Feature Description

7.3.1 EQ

The EQ pin of the TUSB214 is used to configure the AC boost of the device. The four levels are set through different values of an external pulldown resistor at this pin.

7.3.2 DC BOOST

The DC_BOOST pin of the TUSB214 is a tri-level pin, used to set the DC gain of the device according to [表 1](#).

表 1. DC Boost Settings

DC BOOST SETTING VIA PIN STRAP	
DC_BOOST	DC Boost Setting (mV)
V_{IL}	40
V_{IM}	60
V_{IH}	80

7.3.3 BC1.2 CDP Support

The TUSB214 main function is a signal conditioner offering the AC/DC Boost features to the incoming DP/DM signals. For applications in which USB host or hub does not provide USB BC charging downstream port (CDP) functionality, the TUSB214 can perform this task.

7.4 Device Functional Modes

7.4.1 Low Speed (LS) Mode

TUSB214 automatically detects a LS connection and does not enable signal compensation. CD pin is asserted high.

7.4.2 Full Speed (FS) Mode

TUSB214 automatically detects a FS connection and does not enable signal compensation. CD pin is asserted high.

7.4.3 High Speed (HS) Mode

TUSB214 automatically detects a HS connection and will enable signal compensation as determined by the configuration of the DC_BOOST pin and the external pulldown resistance on its EQ pin. CD pin is asserted high.

7.4.4 Shutdown Mode

TUSB214 is disabled when its RSTN pin is asserted low. In shutdown mode the USB channel is still fully operational, but there is neither signal compensation nor any indication from the CD pin as to the status of the channel.

7.4.5 I²C Mode

TUSB215 supports 100 kHz I²C for device configuration, status readback and test purposes. This controller is enabled after SCL and SDA pins are sampled high shortly after de-assertion of RSTN. In this mode, the register as described in 表 2 can be accessed by I²C read/write transaction to 7-bit slave address 0x2C. It is necessary to set CFG_ACTIVE bit and reset it to zero after making changes to the EQ and DC Boost level registers to restart the state machine.

注

All registers or fields in 表 2 which are not specifically mentioned are considered reserved. The default value of these reserved registers or fields must not be changed. It is suggested to perform a read-modify-write operation to maintain the default value of the reserved fields.

表 2. Register definition

Offset	Bit(s)	Name	Type	Default	Description
0x01	6:4	ACB_LVL	RW	XXX (Sampled from EQ pin at reset)	Sets the level of AC Boost 000 : Level 0 AC Boost programmed [MIN] 001 : Level 1 AC Boost programmed 011 : Level 2 AC Boost programmed 111 : Level 3 AC Boost programmed [MAX]
0x03	0	CFG_ACTIVE	RW	1b	Configuration mode 0 : Normal mode. State machine enabled. 1 : Configuration mode: State machine disabled. After reset, if I2C mode is true (SCL and SDA are both pulled high) it is maintained until it is cleared by an I2C write, but, if I2C mode is not true, it is cleared automatically.

Device Functional Modes (接下页)
表 2. Register definition (接下页)

Offset	Bit(s)	Name	Type	Default	Description
0x0E	2:0	DCB_LVL	RW	XXX (Sampled from DC_BOOST pin at reset)	Sets the level of DC Boost 011 : 40mV (DC_Boost = L) 101 : 60mV (DC_Boost = M, default) 111 : 80mV (DC_Boost = H)

8 Application and Implementation

注

Information in the following applications sections is not part of the TI component specification, and TI does not warrant its accuracy or completeness. TI's customers are responsible for determining suitability of components for their purposes. Customers should validate and test their design implementation to confirm system functionality.

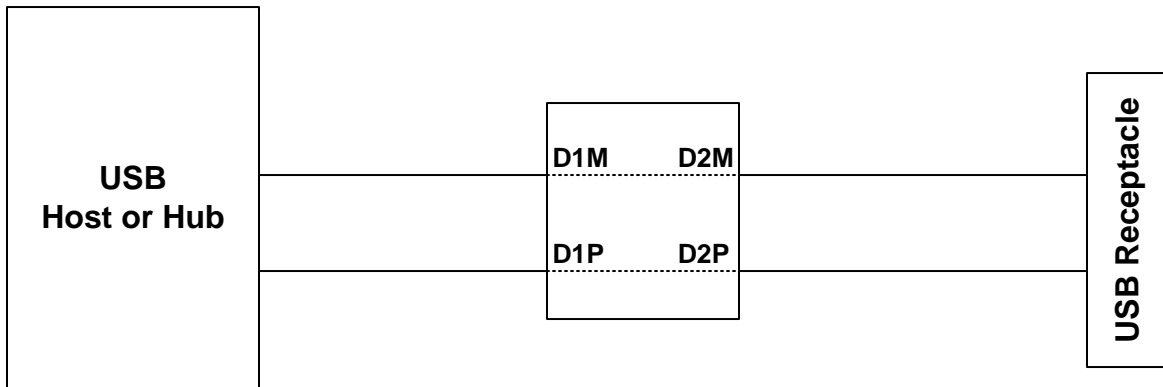
8.1 Application Information

The primary purpose of the TUSB214 is to re-store the signal integrity of a USB High Speed channel up to the USB receptacle. The loss in signal quality stems from reduced channel bandwidth due to high loss PCB trace and other components that contribute a capacitive load. This can cause the channel to fail the USB near end eye mask. Proper use of the TUSB214 can help to pass this eye mask.

A secondary purpose is to use the CD pin of the TUSB214 to control other blocks on the customer platform if so desired. Also, TUSB214 can be used as a CDP controller.

8.2 Typical Application

A typical application is shown in 图 6. In this setup, D2P and D2M face the USB connector while D1P and D1M face the USB host. If desired, the orientation may be reversed [that is, D2 faces transceiver and D1 faces connector].



Copyright © 2017, Texas Instruments Incorporated

图 6. Typical Application

8.2.1 Design Requirements

For this design example, use parameters shown in the table below.

表 3. Design Parameters

PARAMETER		VALUE
VCC (3.0V to 3.6V)		3.3 V
I ² C support required in system (Yes/No)		No
AC Boost	R _{EQ}	Level
	0 Ω	0
	1.69 k ±1%	1
	3.83 k ±1%	2
	DNI	3
		AC Boost Level 2: R _{EQ} = 3.83 K

Typical Application (接下页)
表 3. Design Parameters (接下页)

PARAMETER				VALUE
DC Boost	R _{DC1}	R _{DC2}	Level	Mid DC Level: R _{DC1} = DNI R _{DC2} = DNI
	22 kΩ - 47 kΩ	Do Not Install (DNI)	40 mV Low DC Boost	
	DNI	DNI	60 mV Mid DC Boost	
	DNI	22 kΩ - 47 kΩ	80 mV High DC Boost	

8.2.2 Detailed Design Procedure

TUSB214 requires a valid reset signal as described in the power supply recommendations section. The capacitor at RSTN pin is not required if a microcontroller drives the RSTN pin according to recommendations.

VREG pin is the internal LDO output that requires a 0.1-μF external capacitor to GND to stabilize the core.

The ideal AC/DC Boost setting is dependent upon the signal chain loss characteristics of the target platform. The general recommendation is to start with AC Boost level 0, and then increment to AC Boost level 1, etc. when needed. Same applies to the DC boost setting where it is recommended to plan for the required pad to change boost settings.

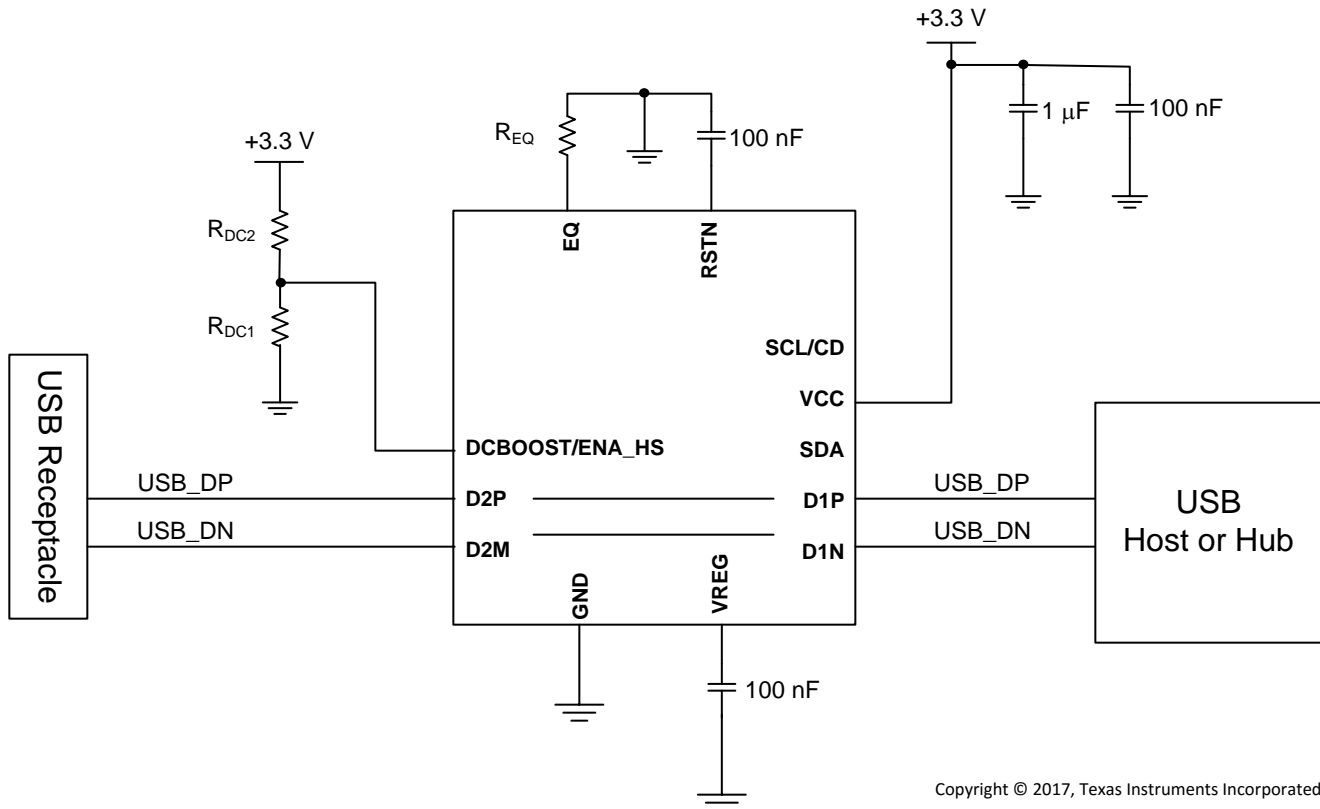
In order for the TUSB214 to recognize any change to the AC or DC boost settings, the RSTN pin must be toggled. This is because the EQ and DC_BOOST pins are latched on power up and the pins are ignored thereafter.

Further D1P has to be shorted to D2P and D1M shorted to D2M on the board for correct functionality of the device.

Placement of the device is also dependent on the application goal. [表 4](#) summarizes our recommendations.

表 4. Platform Placement Guideline

PLATFORM GOAL	SUGGESTED TUSB214 PLACEMENT
Pass USB Near End Mask	Close to measurement point
Pass USB Far End Eye Mask	Close to USB PHY
Cascade multiple TUSB214 to improve device enumeration	Midway between each USB interconnect



Copyright © 2017, Texas Instruments Incorporated

D2P must be shorted to D1P on PCB.
D2N must be shorted to D1N on PCB.

图 7. Reference Schematic

8.2.2.1 Test Procedure to Construct USB High Speed Eye Diagram

注

USB-IF certification tests for High Speed eye masks require the *mandated use* of the USB-IF developed test fixtures. These test fixtures do not require the use of oscilloscope probes. Instead they use SMA cables. More information can be found at the USB-IF Compliance Updates Page. It is located under the 'Electricals' section, ID 86 dated March 2013.

The following procedure must be followed before using any oscilloscope compliance software to construct a USB High Speed Eye Mask:

8.2.2.1.1 For a Host Side Application

1. Configure the TUSB214 to the desired AC and DC boost settings.
2. Power on (or toggle the RSTN pin if already powered on) the TUSB214
3. Using SMA cables, connect the oscilloscope and the USB-IF host-side test fixture to the TUSB214
4. Enable the host to transmit USB TEST_PACKET
5. Execute the oscilloscope USB compliance software.
6. Repeat the above steps in order to re-test TUSB214 with different AC and DC boost settings.

TUSB214

ZHCSGM9A – AUGUST 2017 – REVISED SEPTEMBER 2017

www.ti.com.cn

8.2.2.1.2 For a Device Side Application

1. Configure the TUSB214 to the desired AC and DC boost settings.
2. Power on (or toggle the RSTN pin if already powered on) the TUSB214
3. Connect a USB host, the USB-IF device-side test fixture, and USB device to the TUSB214. Ensure that the USB-IF device test fixture is configured to the 'INIT' position
4. Allow the host to enumerate the device
5. Enable the device to transmit USB TEST_PACKET
6. Using SMA cables, connect the oscilloscope to the USB-IF device-side test fixture and ensure that the device-side test fixture is configured to the 'TEST' position.
7. Execute the oscilloscope USB compliance software.
8. Repeat the above steps in order to re-test TUSB214 with different AC and DC boost settings.

8.2.3 Application Curves

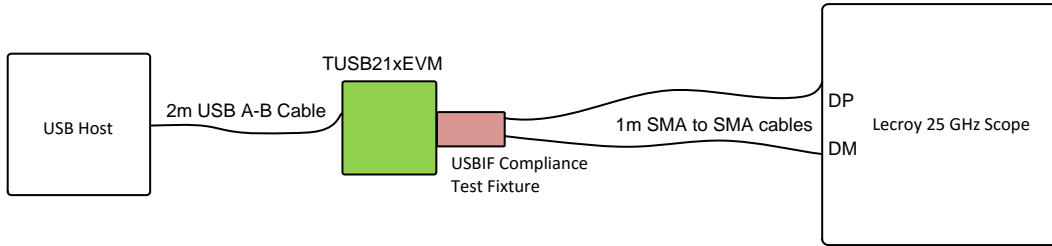


图 8. Eye Diagram Bench Setup

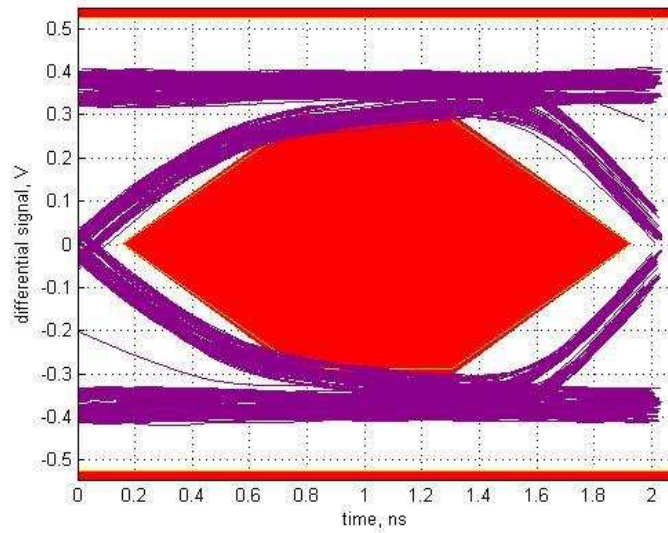


图 9. No TUSB214

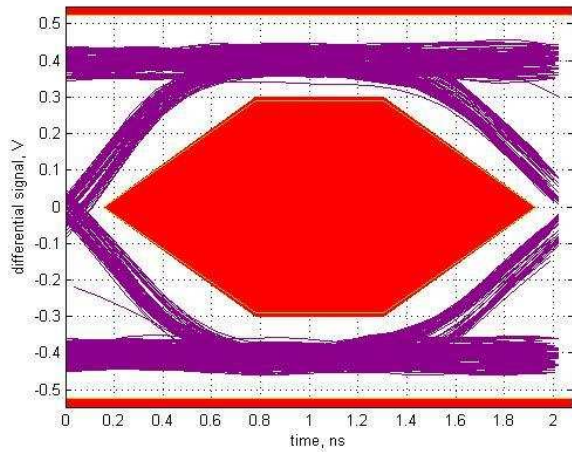


图 10. Low DC Boost, AC Boost Level 0

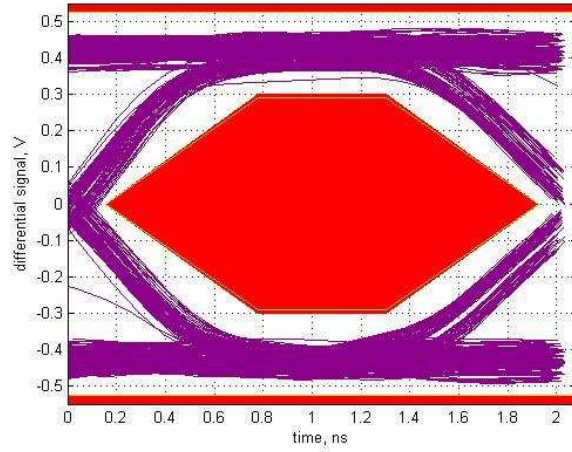


图 11. Mid DC Boost, AC Boost Level 0

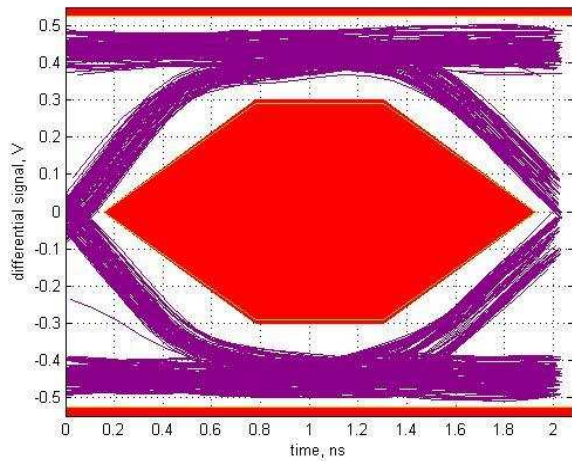


图 12. High DC Boost, AC Boost Level 0

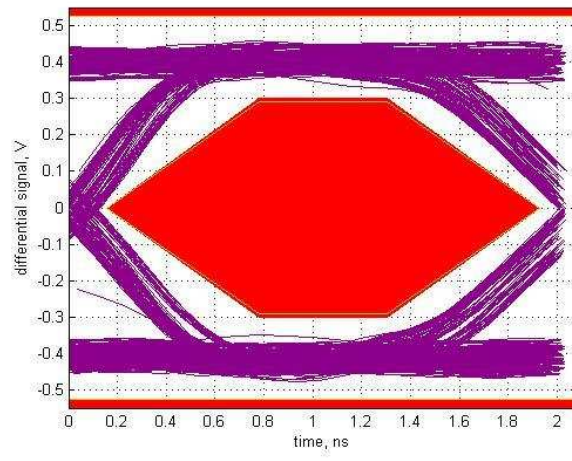


图 13. Low DC Boost, AC Boost Level 1

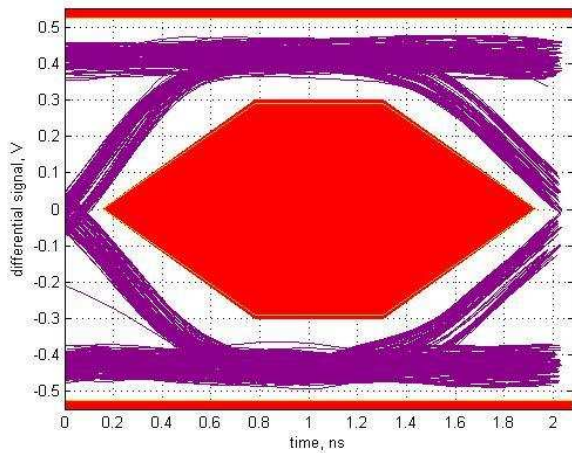


图 14. Mid DC Boost, AC Boost Level 1

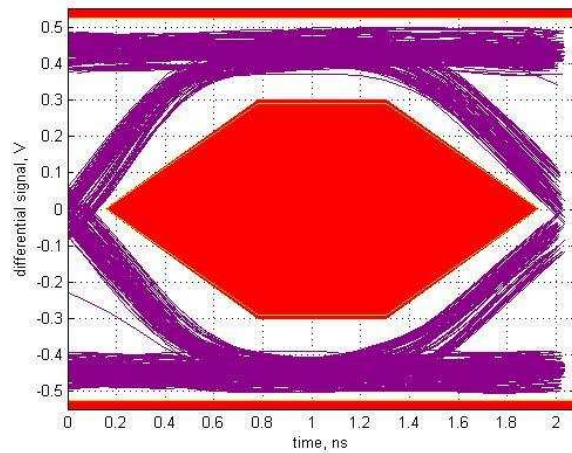


图 15. High DC Boost, AC Boost Level 1

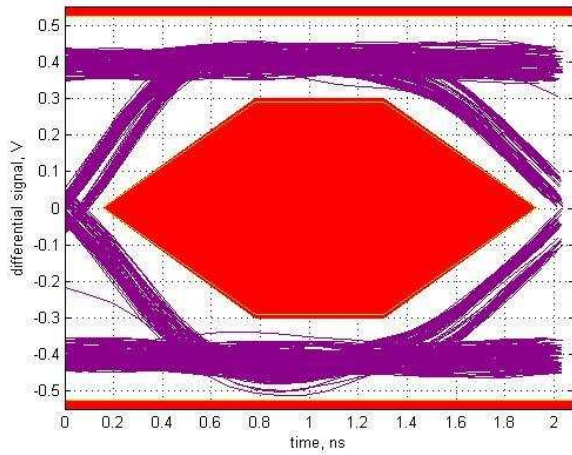


图 16. Low DC Boost, AC Boost Level 2

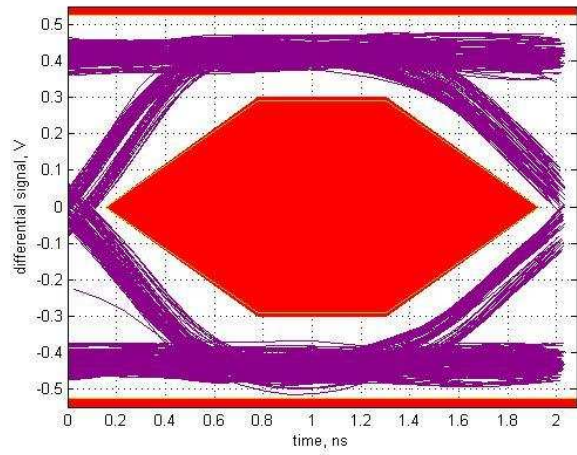


图 17. Mid DC Boost, AC Boost Level 2

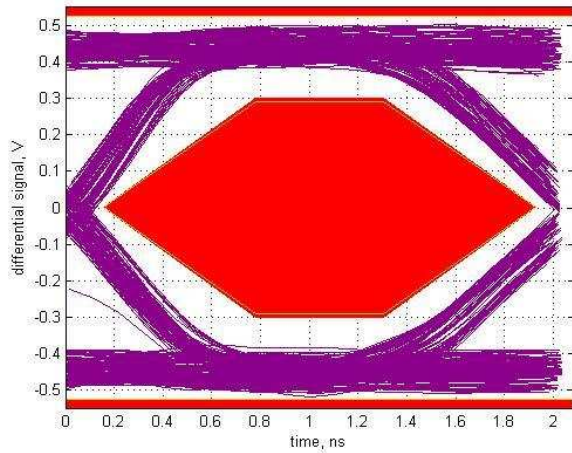


图 18. High DC Boost, AC Boost Level 2

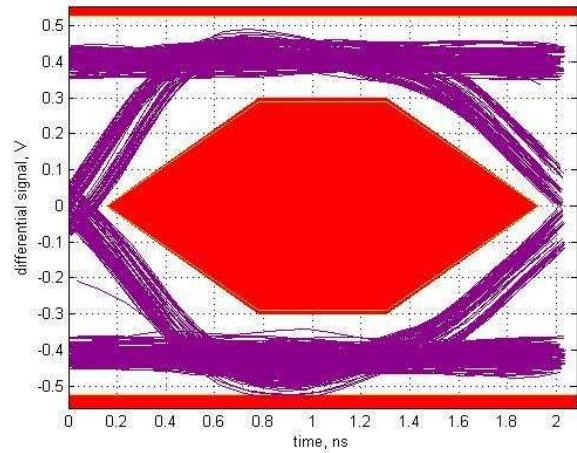


图 19. Low DC Boost, AC Boost Level 3

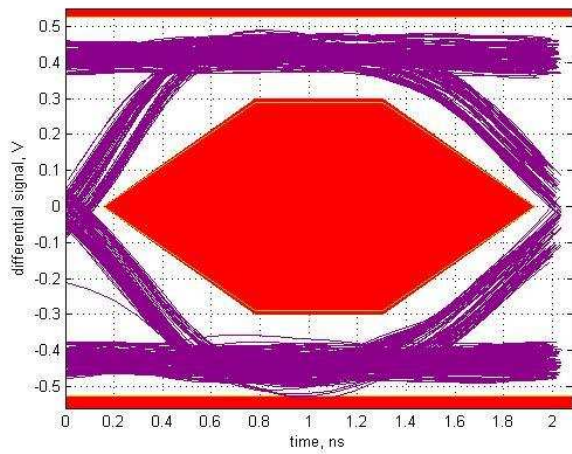


图 20. Mid DC Boost, AC Boost Level 3

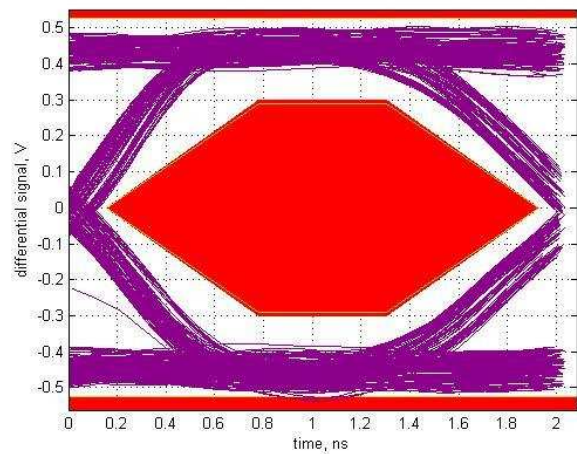


图 21. High DC Boost, AC Boost Level 3

9 Power Supply Recommendations

On power up, the interaction of the RSTN pin and power on ramp could result in digital circuits not being set correctly. The device should not be enabled until the power on ramp has settled to 3 V or higher to ensure a correct power on reset of the digital circuitry. If RSTN cannot be held low by microcontroller or other circuitry until the power on ramp has settled, then an external capacitor from the RSTN pin to GND is required to hold the device in the low power reset state.

The RC time constant should be larger than five times of the power on ramp time (0 to V_{CC}). With a typical internal pullup resistance of 500 k Ω , the recommended minimum external capacitance is calculated as:

$$[\text{Ramp Time} \times 5] \div [500 \text{ k}\Omega] \quad (1)$$

10 Layout

10.1 Layout Guidelines

The USB signal trace must not be broken when placing TUSB214. Thus, even with the TUSB214 powered down, or not populated, the USB link is still fully operational. To avoid the need for signal vias, it is highly recommend to route the High Speed traces directly underneath the TUSB214 package, as illustrated in the PCB land pattern shown in [图 22](#).

Although the land pattern shown below has matched trace width to pad width, optimal impedance control is based on the user's own PCB stack-up. It is recommended to maintain 90 Ω differential routing underneath the device.

All dimensions are in millimetres (mm).

10.2 Layout Example

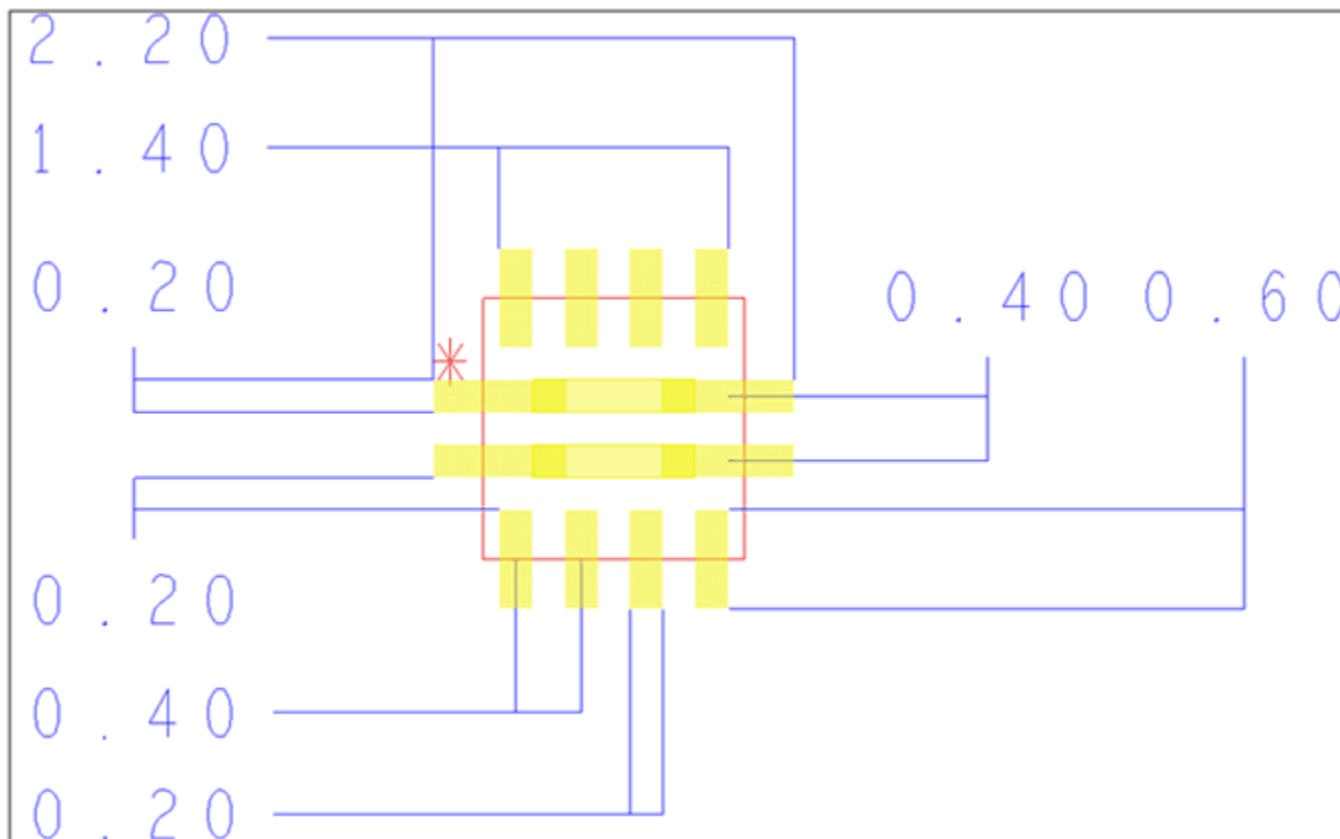


图 22. DP and DM Routing Underneath Device Package

11 器件和文档支持

11.1 文档支持

11.2 接收文档更新通知

要接收文档更新通知，请转至 TI.com 上的器件产品文件夹。单击右上角的 *通知我* 进行注册，即可每周接收产品信息更改摘要。有关更改的详细信息，请查看任何已修订文档中包含的修订历史记录。

11.3 社区资源

下列链接提供到 TI 社区资源的连接。链接的内容由各个分销商“按照原样”提供。这些内容并不构成 TI 技术规范，并且不一定反映 TI 的观点；请参阅 TI 的 [《使用条款》](#)。

TI E2E™ 在线社区 *TI 的工程师对工程师 (E2E) 社区*。此社区的创建目的在于促进工程师之间的协作。在 e2e.ti.com 中，您可以咨询问题、分享知识、拓展思路并与同行工程师一道帮助解决问题。

设计支持 *TI 参考设计支持* 可帮助您快速查找有帮助的 E2E 论坛、设计支持工具以及技术支持的联系信息。

11.4 商标

E2E is a trademark of Texas Instruments.
All other trademarks are the property of their respective owners.

11.5 静电放电警告



ESD 可能会损坏该集成电路。德州仪器 (TI) 建议通过适当的预防措施处理所有集成电路。如果不遵守正确的处理措施和安装程序，可能会损坏集成电路。

ESD 的损坏小至导致微小的性能降级，大至整个器件故障。精密的集成电路可能更容易受到损坏，这是因为非常细微的参数更改都可能会导致器件与其发布的规格不相符。

11.6 Glossary

[SLYZ022](#) — *TI Glossary*.

This glossary lists and explains terms, acronyms, and definitions.

12 机械、封装和可订购信息

以下页面包含机械、封装和可订购信息。这些信息是指定器件的最新可用数据。这些数据如有变更，恕不另行通知和修订此文档。如欲获取此产品说明书的浏览器版本，请参阅左侧的导航。

PACKAGING INFORMATION

Orderable Device	Status (1)	Package Type	Package Drawing	Pins	Package Qty	Eco Plan (2)	Lead finish/ Ball material (6)	MSL Peak Temp (3)	Op Temp (°C)	Device Marking (4/5)	Samples
TUSB214IRWBR	ACTIVE	X2QFN	RWB	12	3000	RoHS & Green	NIPDAU	Level-2-260C-1 YEAR	-40 to 85	24	Samples
TUSB214IRWBT	ACTIVE	X2QFN	RWB	12	250	RoHS & Green	NIPDAU	Level-2-260C-1 YEAR	-40 to 85	24	Samples
TUSB214RWBR	ACTIVE	X2QFN	RWB	12	3000	RoHS & Green	NIPDAU	Level-2-260C-1 YEAR	0 to 70	24	Samples
TUSB214RWBT	ACTIVE	X2QFN	RWB	12	250	RoHS & Green	NIPDAU	Level-2-260C-1 YEAR	0 to 70	24	Samples

(1) The marketing status values are defined as follows:

ACTIVE: Product device recommended for new designs.

LIFEBUY: TI has announced that the device will be discontinued, and a lifetime-buy period is in effect.

NRND: Not recommended for new designs. Device is in production to support existing customers, but TI does not recommend using this part in a new design.

PREVIEW: Device has been announced but is not in production. Samples may or may not be available.

OBSELETE: TI has discontinued the production of the device.

(2) **RoHS:** TI defines "RoHS" to mean semiconductor products that are compliant with the current EU RoHS requirements for all 10 RoHS substances, including the requirement that RoHS substance do not exceed 0.1% by weight in homogeneous materials. Where designed to be soldered at high temperatures, "RoHS" products are suitable for use in specified lead-free processes. TI may reference these types of products as "Pb-Free".

RoHS Exempt: TI defines "RoHS Exempt" to mean products that contain lead but are compliant with EU RoHS pursuant to a specific EU RoHS exemption.

Green: TI defines "Green" to mean the content of Chlorine (Cl) and Bromine (Br) based flame retardants meet JS709B low halogen requirements of <=1000ppm threshold. Antimony trioxide based flame retardants must also meet the <=1000ppm threshold requirement.

(3) **MSL, Peak Temp.** - The Moisture Sensitivity Level rating according to the JEDEC industry standard classifications, and peak solder temperature.

(4) There may be additional marking, which relates to the logo, the lot trace code information, or the environmental category on the device.

(5) Multiple Device Markings will be inside parentheses. Only one Device Marking contained in parentheses and separated by a "-" will appear on a device. If a line is indented then it is a continuation of the previous line and the two combined represent the entire Device Marking for that device.

(6) **Lead finish/Ball material** - Orderable Devices may have multiple material finish options. Finish options are separated by a vertical ruled line. Lead finish/Ball material values may wrap to two lines if the finish value exceeds the maximum column width.

Important Information and Disclaimer:The information provided on this page represents TI's knowledge and belief as of the date that it is provided. TI bases its knowledge and belief on information provided by third parties, and makes no representation or warranty as to the accuracy of such information. Efforts are underway to better integrate information from third parties. TI has taken and

continues to take reasonable steps to provide representative and accurate information but may not have conducted destructive testing or chemical analysis on incoming materials and chemicals. TI and TI suppliers consider certain information to be proprietary, and thus CAS numbers and other limited information may not be available for release.

In no event shall TI's liability arising out of such information exceed the total purchase price of the TI part(s) at issue in this document sold by TI to Customer on an annual basis.

TAPE AND REEL INFORMATION

QUADRANT ASSIGNMENTS FOR PIN 1 ORIENTATION IN TAPE

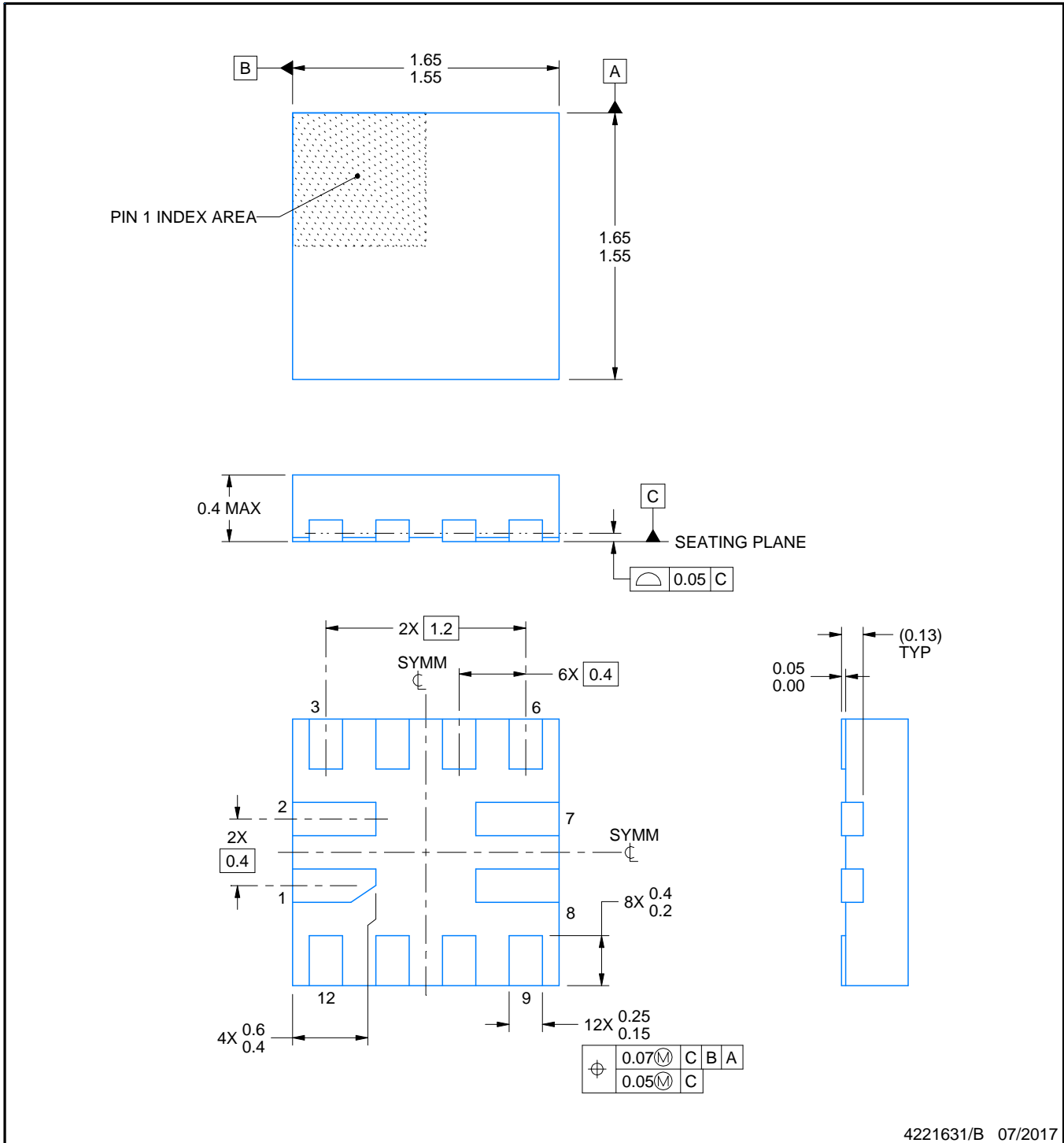
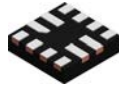

*All dimensions are nominal

Device	Package Type	Package Drawing	Pins	SPQ	Reel Diameter (mm)	Reel Width W1 (mm)	A0 (mm)	B0 (mm)	K0 (mm)	P1 (mm)	W (mm)	Pin1 Quadrant
TUSB214IRWBR	X2QFN	RWB	12	3000	180.0	9.5	1.8	1.8	0.45	4.0	8.0	Q1
TUSB214IRWBT	X2QFN	RWB	12	250	180.0	9.5	1.8	1.8	0.45	4.0	8.0	Q1
TUSB214RWBR	X2QFN	RWB	12	3000	180.0	9.5	1.8	1.8	0.45	4.0	8.0	Q1
TUSB214RWBT	X2QFN	RWB	12	250	180.0	9.5	1.8	1.8	0.45	4.0	8.0	Q1

TAPE AND REEL BOX DIMENSIONS


*All dimensions are nominal

Device	Package Type	Package Drawing	Pins	SPQ	Length (mm)	Width (mm)	Height (mm)
TUSB214IRWBR	X2QFN	RWB	12	3000	189.0	185.0	36.0
TUSB214IRWBT	X2QFN	RWB	12	250	189.0	185.0	36.0
TUSB214RWBR	X2QFN	RWB	12	3000	189.0	185.0	36.0
TUSB214RWBT	X2QFN	RWB	12	250	189.0	185.0	36.0



4221631/B 07/2017

NOTES:

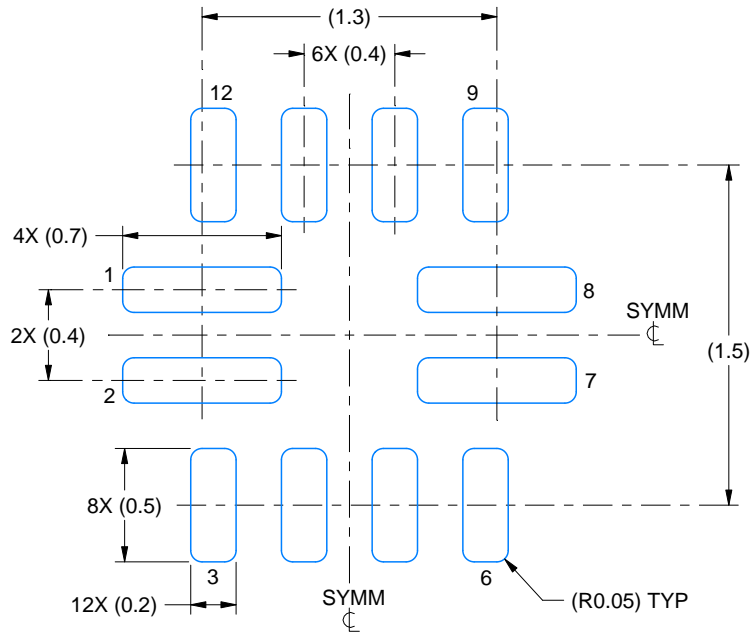
1. All linear dimensions are in millimeters. Any dimensions in parenthesis are for reference only. Dimensioning and tolerancing per ASME Y14.5M.
2. This drawing is subject to change without notice.

EXAMPLE BOARD LAYOUT

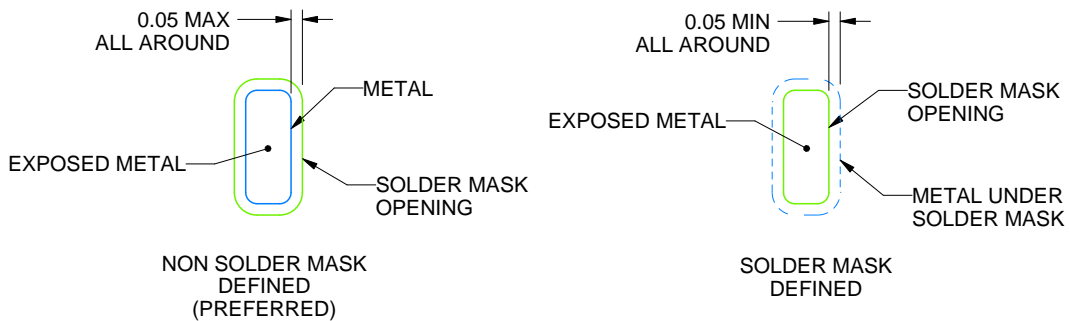
RWB0012A

X2QFN - 0.4 mm max height

PLASTIC QUAD FLATPACK - NO LEAD



LAND PATTERN EXAMPLE
EXPOSED METAL SHOWN
SCALE:30X



SOLDER MASK DETAILS

4221631/B 07/2017

NOTES: (continued)

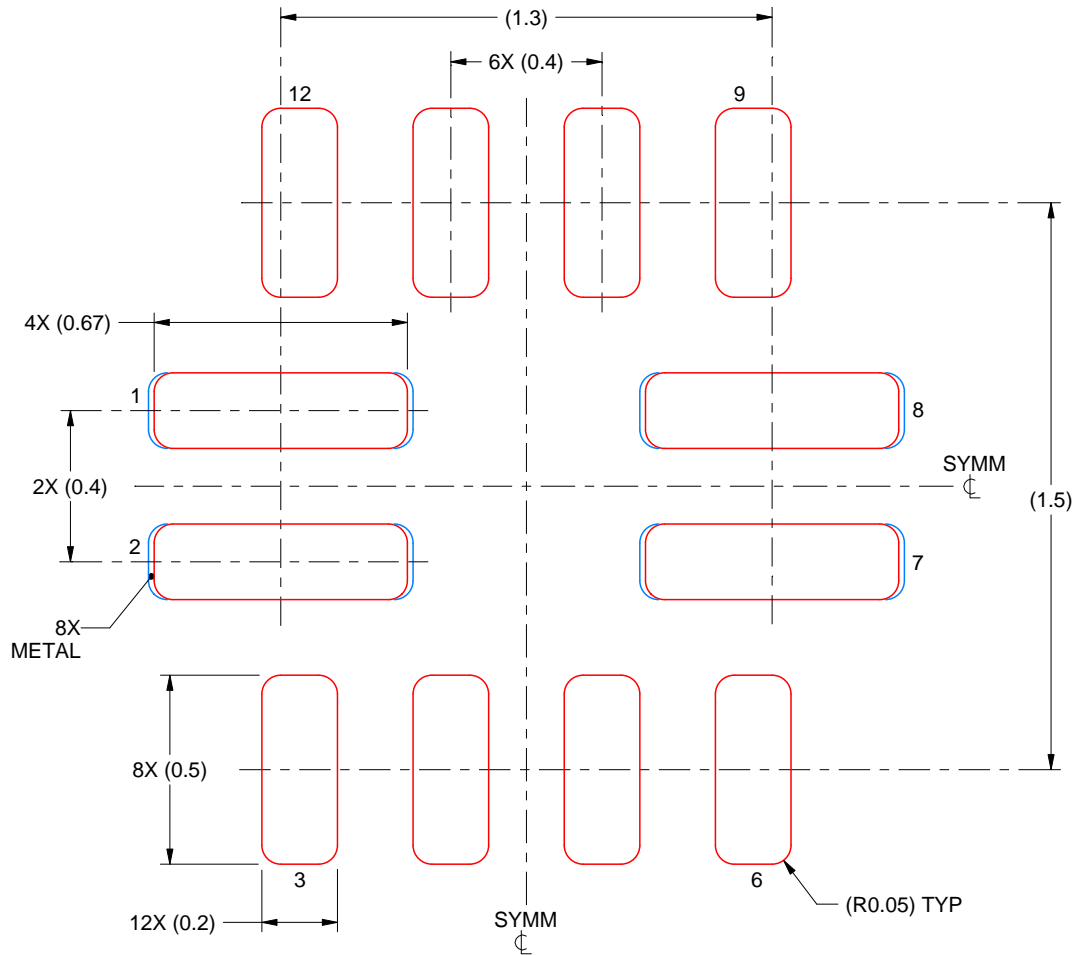
3. For more information, see Texas Instruments literature number SLUA271 (www.ti.com/lit/slua271).

EXAMPLE STENCIL DESIGN

RWB0012A

X2QFN - 0.4 mm max height

PLASTIC QUAD FLATPACK - NO LEAD



SOLDER PASTE EXAMPLE BASED ON 0.1 mm THICK STENCIL

PADS 1,2,7 & 8
96% PRINTED SOLDER COVERAGE BY AREA
SCALE:50X

4221631/B 07/2017

NOTES: (continued)

4. Laser cutting apertures with trapezoidal walls and rounded corners may offer better paste release. IPC-7525 may have alternate design recommendations.

重要声明和免责声明

TI“按原样”提供技术和可靠性数据（包括数据表）、设计资源（包括参考设计）、应用或其他设计建议、网络工具、安全信息和其他资源，不保证没有瑕疵且不做任何明示或暗示的担保，包括但不限于对适销性、某特定用途方面的适用性或不侵犯任何第三方知识产权的暗示担保。

这些资源可供使用 TI 产品进行设计的熟练开发人员使用。您将自行承担以下全部责任：(1) 针对您的应用选择合适的 TI 产品，(2) 设计、验证并测试您的应用，(3) 确保您的应用满足相应标准以及任何其他功能安全、信息安全、监管或其他要求。

这些资源如有变更，恕不另行通知。TI 授权您仅可将这些资源用于研发本资源所述的 TI 产品的应用。严禁对这些资源进行其他复制或展示。您无权使用任何其他 TI 知识产权或任何第三方知识产权。您应全额赔偿因在这些资源的使用中对 TI 及其代表造成的任何索赔、损害、成本、损失和债务，TI 对此概不负责。

TI 提供的产品受 [TI 的销售条款](#) 或 [ti.com](#) 上其他适用条款/TI 产品随附的其他适用条款的约束。TI 提供这些资源并不会扩展或以其他方式更改 TI 针对 TI 产品发布的适用的担保或担保免责声明。

TI 反对并拒绝您可能提出的任何其他或不同的条款。

邮寄地址：Texas Instruments, Post Office Box 655303, Dallas, Texas 75265

Copyright © 2023，德州仪器 (TI) 公司