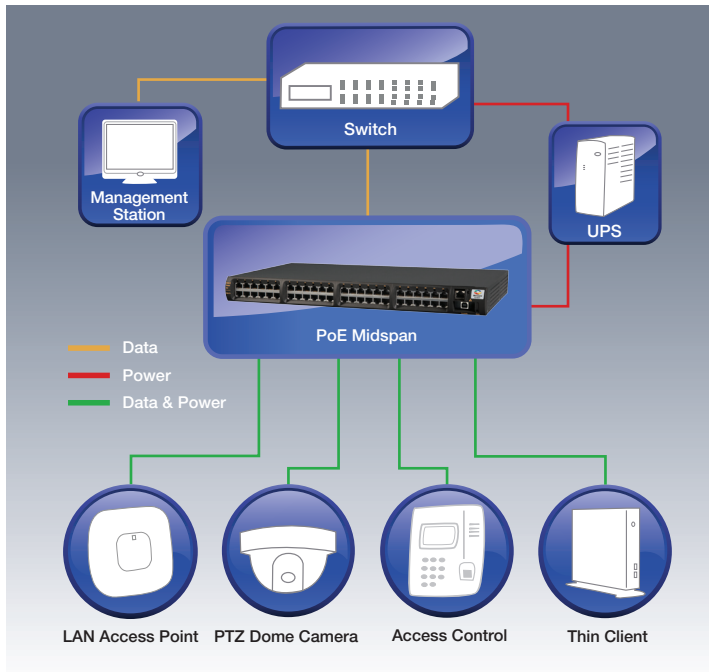


PD-5524G Midspan

Energy Efficient Midspan Family, IEEE803.3af/at Compliant, 30W per port



Overview

Microsemi 24-port PD-5524G Energy Efficient PoE (EPPoE) midspan delivers up to 30 watts (W) of Power over Ethernet (PoE) to network devices including IP cameras, access control systems, thin clients and other Ethernet end terminals.

PD-5524G EEPoE Midspans are unique in their ability to deliver power over all 4 pairs of the Cat 5 or better cable, dissipating 50% less power than PoE Switches and 2-pair Midspans, while complying with the IEEE802.3at-2009 standard.

EEPoE allows reduced power dissipation to new powered devices and also to the huge installed base of over 100 million existing IEEE standard-compliant PDs worldwide.

With the midspan's plug-and-play installation, they are easily and cost effectively implemented leveraging an existing Ethernet infrastructure while at the same time providing the assurance of a future proof network.

PD-5524G Features

- PoE over 4-pairs
- Powers all IEEE802.3af and IEEE802.3at devices
- High efficiency, dissipating 50% less power than 2-pair switches and Midspans
- PowerView Pro secure, remote SNMPv3 web-based management
- Supports both IPv4 and IPv6 addressing
- Plug-and-play installation
- Guaranteed uptime

PD-5524G Specifications

No. of Ports	24
Pass Through Data Rates	10/100/1000 Mbps
Power over Ethernet Output	Pin Assignment and Polarity: Data Pairs 1/2 (-) and 3/6 (+) Spare Pairs 4/5 (+), 7/8 (-) Output Power Voltage: 55Vdc User Port Power: 30W guaranteed Aggregate Power: 450W
Input Power Requirements	AC Input Voltage: 100 to 240 Vac DC Input: RPS or another PD-5524G midspan AC Input Current: 5.5A @ 110 Vac; 2.75A @ 220 Vac AC Frequency: 50 to 60 Hz
Dimensions	438 mm x 272 mm x 44 mm 17.3 in. x 10.8 in. x 1.75 in or 1U
Weight	14.3 lbs (6.5 kg)
Management	PowerView Pro included
Indicators	System Indicator: AC Power (Green) User Indicator: Channel Power (Green/Orange)
Connectors	PoE ports and management port: Shielded RJ-45, EIA 568A and 568B Console Port: USB Connector Type B DC Connector: DC Block Terminal RPS Com Connector: HD-D-sub-15
Environmental Conditions	Operating Ambient Temperature: 32° to 104°F (0 to 40°C) Operating Humidity: 10% to 90%, Non-condensing Storage Temperature: -4° to 158°F (-20° to 70°C) Storage Humidity: 5% to 95%, Non-condensing Operating Altitude: -1000 to 10,000 ft. (-304.8 to 3048 m)
Thermal Rating	365 BTU/Hr
Regulatory Compliance	IEEE 802.3af (PoE, PoH Type 1), IEEE 802.3at (PoE+ including 2-event, PoH Type 2), RoHS Compliant, VCCI, CE, C-Tick
Electromagnetic Emission & Immunity	FCC Part 15, Class B EN 55022 Class B (Emissions) EN 55024 (Immunity), VCCI
Safety Approvals	UL/cUL Per EN 60950-1 GS Mark Per EN 60950-1

Ordering Information

Part Number	Name	Ports	Total Watts
PD-5524G/ACDC/M	Microsemi PD-5524G	24-port	450W



Microsemi

Microsemi Corporate Headquarters
One Enterprise, Aliso Viejo, CA 92656 USA
Within the USA: +1 (800) 713-4113
Outside the USA: +1 (949) 380-6100
Sales: +1 (949) 380-6136
Fax: +1 (949) 215-4996
email: sales.support@microsemi.com
www.microsemi.com

Microsemi Corporation (Nasdaq: MSCC) offers a comprehensive portfolio of semiconductor and system solutions for communications, defense & security, aerospace and industrial markets. Products include high-performance and radiation-hardened analog mixed-signal integrated circuits, FPGAs, SoCs and ASICs; power management products; timing and synchronization devices and precise time solutions, setting the world's standard for time; voice processing devices; RF solutions; discrete components; security technologies and scalable anti-tamper products; Power-over-Ethernet ICs and midspans; as well as custom design capabilities and services. Microsemi is headquartered in Aliso Viejo, Calif., and has approximately 3,400 employees globally. Learn more at www.microsemi.com.

©2014 Microsemi Corporation. All rights reserved. Microsemi and the Microsemi logo are trademarks of Microsemi Corporation. All other trademarks and service marks are the property of their respective owners.

MSC-PD-5524G/6.2014