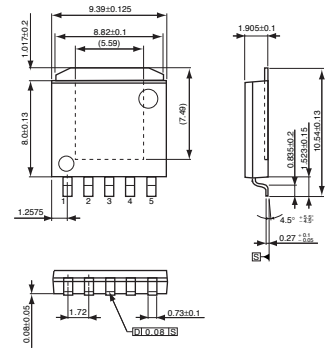


Dual Low Drop Out Regulator
Ceramic Capacitor Available
BA3259HFP

● Description

BA3259HFP is a power supply IC in which 2-output series regulators are incorporated into a power package (HRP-5). 2-outputs are 3.3V and a variable output. (It can be set between 0.8V and 3.3V.) Each current is 1A. Ceramic capacitor is available for output.

● Dimension (Unit : mm)



HRP-5

● Features

- 1) 3.3V/1A and Variable(0.8V standard)/1A
- 2) Output ceramic capacitor available
- 3) Output voltage accuracy :+/-2%
- 4) Built-in over-current and thermal protection circuit
- 5) HRP-5 package

● Applications

HDD/DVD

● Absolute Maximum Ratings (Ta=25°C)

Parameter	Symbol	Limits	Unit
Power supply voltage	V _{CC}	15	V
Power dissipation	P _d	2300 *1	mW
Operating temperature range	T _{opr}	0 ~ +85	°C
Storage temperature range	T _{stg}	-55 ~ +150	°C

*1 Derating : 18.4mW/°C for operation above Ta=25°C PCB (70mmx70mm, t=1.6mm) glass epoxy mounting.

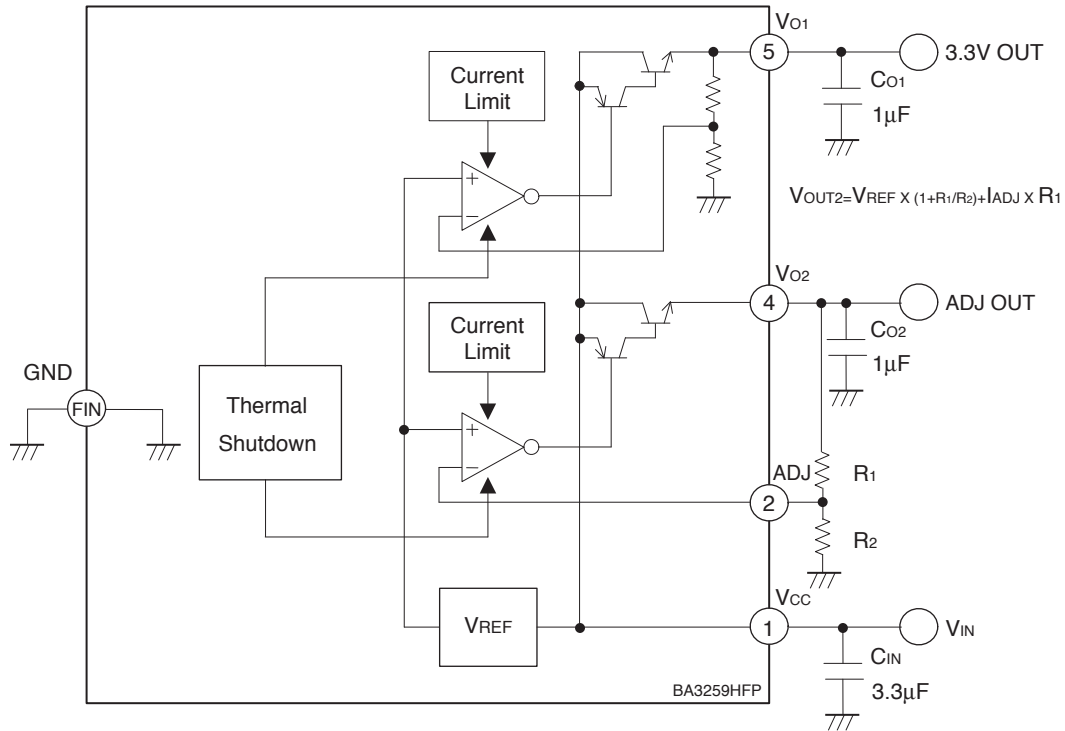
● Recommended Operating Conditions (Ta=25°C)

Parameter	Symbol	Min.	Typ.	Max.	Unit
Power supply voltage	V _{CC}	4.75	-	14.0	V

● Electrical characteristics (Unless otherwise noted; Ta=25°C, Vcc=5V)

Parameter	Symbol	Min.	Typ.	Max.	Unit	Conditions
Circuit current	Ib	-	3□	5□	mA	Io1=0mA, Io2=0mA
Line regulation 1,2	ΔVLINE1,2	-	5□	15□	mV	Vcc=4.75 → 14V, Io1=5mA
Load regulation 1,2	ΔVLOAD1,2	-	5□	20□	mV	Io=5mA → 1A
[3.3V output]						
Output voltage	Vo1	3.234	3.300□	3.366□	V	Io1=50mA
Dropout voltage	ΔVO1	-	1.1□	1.3□	V	Io1=1A
Output current	Io1	1.0	-	-	A	
[Variable output]						
Reference voltage	Vref	0.784□	0.800	0.816□	V	Io2=50mA
Dropout voltage	ΔVO2	-	1.1□	1.3□	V	Io2=1A
Output current	Io2	1.0	-	-	A	

● Application Circuit



This datasheet has been downloaded from:

www.DatasheetCatalog.com

Datasheets for electronic components.