

SYNCHRONOUS BURST SRAM

64K x 32 SRAM

3.3V supply, fully registered inputs and outputs, burst counter

FEATURES

- East Access times: 4.5, 5, 6, 7, and 8ns
- East clock speed: 125, 100, 83, 66, and 50 MHz
- Provide high performance 3-1-1-1 access rate
- Fast \overline{OE} access times: 4.5, 5 and 6ns
- Single 3.3V +10%/-5% power supply
- Common data inputs and data outputs
- BYTE WRITE ENABLE and GLOBAL WRITE control
- Three chip enables for depth expansion and address pipelining
- Address, control, input, and output pipelined registers
- Internally self-timed WRITE CYCLE
- WRITE pass-through capability
- Burst control pins (interleaved or linear burst sequence)
- High density, high speed packages
- Low capacitive bus loading
- High 30pF output drive capability at rated access time
- SNOOZE MODE for reduced power standby
- Single cycle disable (Pentium™ BSRAM compatible)

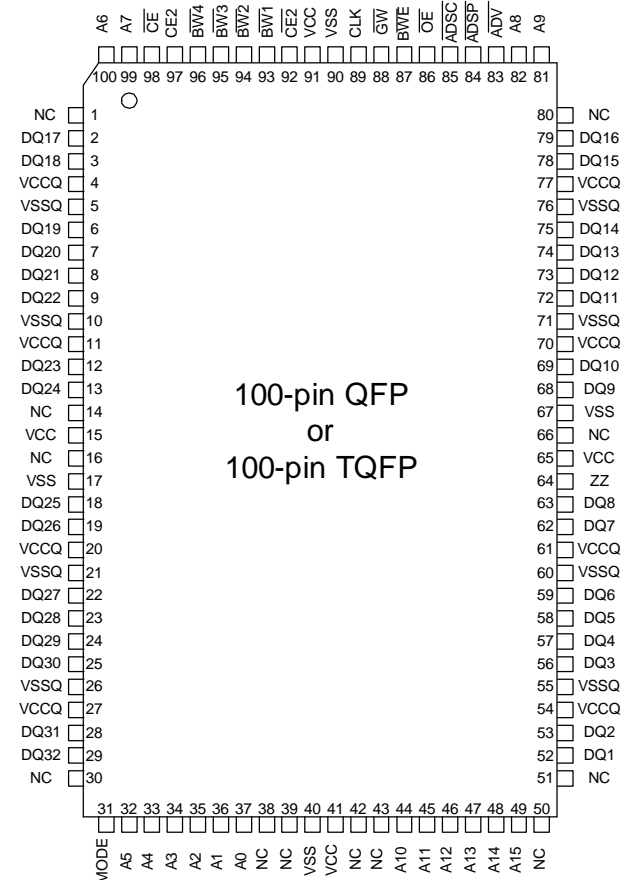
OPTIONS

TIMING	MARKING
4.5ns access/8ns cycle	-4.5
5ns access/10ns cycle	-5
6ns access/12ns cycle	-6
7ns access/15ns cycle	-7
8ns access/20ns cycle	-8
Package	
100-pin QFP	Q
100-pin TQFP	T

Part Number Examples

PART NO.	Pkg.	BURST SEQUENCE
T35L6432A-5Q	Q	Interleaved (MODE=NC or VCC)
T35L6432A-5T	T	Linear (MODE=GND)

PIN ASSIGNMENT (Top View)



GENERAL DESCRIPTION

The Taiwan Memory Technology Synchronous Burst RAM family employs: high-speed, low power CMOS design using advanced triple-layer polysilicon, double-layer metal technology. Each memory cell consists of four transistors and two high valued resistors.

The T35L6432A SRAM integrates 65536 x 32 SRAM cells with advanced synchronous peripheral circuitry and a 2-bit counter for internal burst operation. All synchronous inputs are gated by registers controlled by a positive-edge-triggered clock input (CLK). The synchronous inputs include all addresses, all data inputs, address-pipelining

GENERAL DESCRIPTION (continued)

chip enable (\overline{CE}), depth- expansion chip enables ($\overline{CE2}$ and $\overline{CE2}$),burst control inputs (\overline{ADSC} , \overline{ADSP} , and \overline{ADV}), write enables ($\overline{BW1}$, $\overline{BW2}$, $\overline{BW3}$, $\overline{BW4}$, and \overline{BWE}), and global write (\overline{GW}).

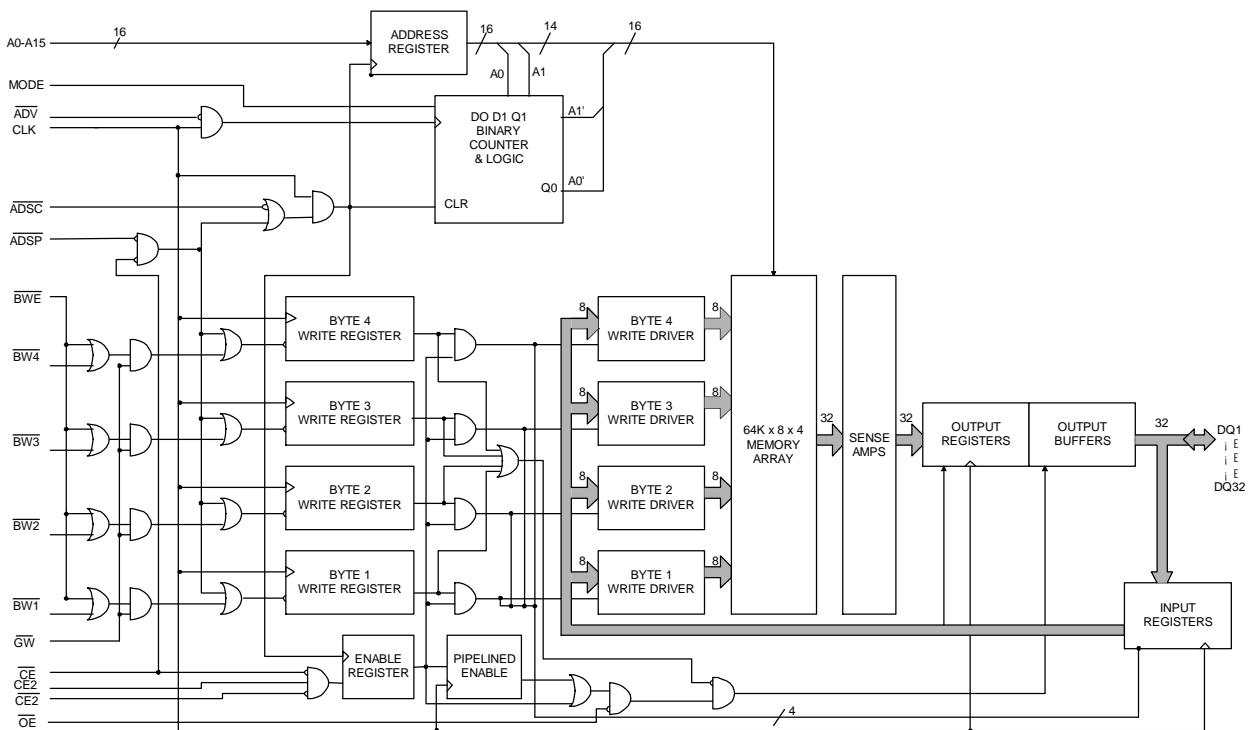
Asynchronous inputs include the output enable (\overline{OE}), Snooze enable (\overline{ZZ}) and burst mode control (\overline{MODE}). The data outputs (Q), enabled by \overline{OE} , are also asynchronous.

Addresses and chip enables are registered with either address status processor (\overline{ADSP}) or address status controller (\overline{ADSC}) input pins. Subsequent burst addresses can be internally generated as controlled by the burst advance pin (\overline{ADV}).

Address, data inputs, and write controls are registered on-chip to initiate self-timed WRITE cycle. WRITE cycles can be one to four bytes

wide as controlled by the write control inputs. Individual byte write allows individual byte to be written. $\overline{BW1}$ controls $DQ1-DQ8$. $\overline{BW2}$ controls $DQ9-DQ16$. $\overline{BW3}$ controls $DQ17-DQ24$. $\overline{BW4}$ controls $DQ25-DQ32$. $\overline{BW1}$, $\overline{BW2}$, $\overline{BW3}$, and $\overline{BW4}$ can be active only with \overline{BWE} being LOW. \overline{GW} being LOW causes all bytes to be written. WRITE pass-through capability allows written data available at the output for the immediately next READ cycle. This device also incorporates pipelined enable circuit for easy depth expansion without penalizing system performance. The T35L6432A operates from a 3.3V +10%/-5% power supply. The device is ideally suited for Pentium™, 680X0, and Power PC™ systems and for systems that are benefited from a wide synchronous data bus.

FUNCTIONAL BLOCK DIAGRAM



Note: 1. The Functional Block Diagram illustrates simplified device operation. See Truth Table, pin descriptions and timing diagrams for detailed information.

PIN DESCRIPTIONS

QFP PINS	SYM.	TYPE	DESCRIPTION
32-37, 44-49, 81, 82, 99, 100,	A0-A15	Input-Synchronous	Addresses: These inputs are registered and must meet the setup and hold times around the rising edge of CLK. The burst counter - generates internal addresses associated with A0 and A1,during burst cycle and wait cycle.
93-96	$\overline{BW1}$ $\overline{BW2}$ $\overline{BW3}$ $\overline{BW4}$	Input-Synchronous	Byte Write: A byte write is LOW for a WRITE cycle and HIGH for a READ cycle. $\overline{BW1}$ controls DQ1-DQ8. $\overline{BW2}$ controls DQ9-DQ16. $\overline{BW3}$ controls DQ17-DQ24. $\overline{BW4}$ controls DQ25-DQ32. Data I/O are high impedance if either of these inputs are LOW , conditioned by \overline{BWE} being LOW.
87	\overline{BWE}	Input-Synchronous	Write Enable: This active LOW input gates byte write operations and must meet the setup and hold times around the rising edge of CLK.
88	\overline{GW}	Input-Synchronous	Global Write: This active LOW input allows a full 32-bit WRITE to occur independent of the \overline{BWE} and \overline{BWN} lines and must meet the setup and hold times around the rising edge of CLK.
89	CLK	Input-Synchronous	Clock: This signal registers the addresses, data, chip enables, write control and burst control inputs on its rising edge. All synchronous inputs must meet setup and hold times around the clock's rising edge.
98	\overline{CE}	Input-Synchronous	Synchronous Chip Enable: This active LOW input is used to enable the device and conditions internal use of \overline{ADSP} . This input is sampled only when a new external address is loaded.
92	$\overline{CE2}$	Input-Synchronous	Synchronous Chip Enable: This active LOW input is used to enable the device. This input is sampled only when a new external address is loaded. This input can be used for memory depth expansion.
97	CE2	Input-Synchronous	Synchronous Chip Enable: This active HIGH input is used to enable the device. This input is sampled only when a new external address is loaded. This input can be used for memory depth expansion.
86	\overline{OE}	Input	Output enable: This active LOW asynchronous input enables the data output drivers.
83	\overline{ADV}	Input-Synchronous	Address Advance: This active LOW input is used to control the internal burst counter. A HIGH on this pin generates wait cycle (no address advance).
84	\overline{ADSP}	Input-Synchronous	Address Status Processor: This active LOW input, along with \overline{CE} being LOW, causes a new external address to be registered and a READ cycle is initiated using the new address.
85	\overline{ADSC}	Input-Synchronous	Address Status Controller: This active LOW input causes device to be deselected or selected along with new external address to be registered. A READ or WRITE cycle is initiated depending upon write control inputs.

PIN DESCRIPTIONS (continued)

QFP PINS	SYM.	TYPE	DESCRIPTION
31	MODE	Input-Static	Mode: This input selects the burst sequence. A LOW on this pin selects LINEAR BURST. A NC or HIGH on this pin selects INTERLEAVED BURST. Do not alter input state while device is operating.
64	ZZ	Input	Snooze Enable: This active HIGH asynchronous input causes the device to enter a low-power standby mode in which all data in the memory array is retained.
2,3,6-9,12,13, 18, 19,22-25,28,29,52, 53,56-59,62,63,68, 69,72-75,78,79,	DQ1-DQ32	Input/Output	Data Inputs/Outputs: First Byte is DQ1-DQ8. Second Byte is DQ9-DQ16. Third Byte is DQ17-DQ24. Fourth Byte is DQ25-DQ32. Input data must meet setup and hold times around the rising edge of CLK.
15,41,65,91	VCC	Supply	Power Supply: 3.3V +10%/-5%
17,40,67,90	VSS	Ground	Ground: GND
4,11,20,27,54, 61,70,77	VCCQ	I/O Supply	Output Buffer Supply: 3.3V +10%/-5%
5,10,21,26,55, 60,71,76	VSSQ	I/O Ground	Output Buffer Ground: GND
1,14,16,30,38,39, 42,43,50,51,66,80	NC	-	No Connect: These signals are not internally connected.

INTERLEAVED BURST ADDRESS TABLE (MODE = NC/VCC)

First Address (external)	Second Address (internal)	Third Address (internal)	Fourth Address (internal)
A...A00	A...A01	A...A10	A...A11
A...A01	A...A00	A...A11	A...A10
A...A10	A...A11	A...A00	A...A01
A...A11	A...A10	A...A01	A...A00

LINEAR BURST ADDRESS TABLE (MODE = GND)

First Address (external)	Second Address (internal)	Third Address (internal)	Fourth Address (internal)
A...A00	A...A01	A...A10	A...A11
A...A01	A...A10	A...A11	A...A00
A...A10	A...A11	A...A00	A...A01
A...A11	A...A00	A...A01	A...A10

PARTIAL TRUTH TABLE FOR READ/WRITE

Function	\overline{GW}	\overline{BWE}	$\overline{BW1}$	$\overline{BW2}$	$\overline{BW3}$	$\overline{BW4}$
READ	H	H	X	X	X	X
READ	H	L	H	H	H	H
WRITE one byte	H	L	L	H	H	H
WRITE all byte	H	L	L	L	L	L
WRITE all byte	L	X	X	X	X	X

WRITE PASS-THROUGH TRUTH TABLE

PREVIOUS CYCLE		PRESENT CYCLE			NEXT CYCLE	
OPERATION	\overline{BWn}	OPERATION	\overline{CE}	\overline{BWn}	\overline{OE}	OPERATION
Initiate WRITE cycle, all bytes Address= A(n-1), data= D(n-1)	All L ^{2,3}	Initiate READ cycle Register A(n), Q= D(n-1)	L	H	L	Read D(n)
Initiate WRITE cycle, all bytes Address= A(n-1), data= D(n-1)	All L ^{2,3}	No new cycle Q = D(n-1)	H	H	L	No carry-over from previous cycle
Initiate WRITE cycle, all bytes Address= A(n-1), data= D(n-1)	All L ^{2,3}	No new cycle Q = HIGH-Z	H	H	H	No carry-over from previous cycle
Initiate WRITE cycle, one bytes Address= A(n-1), data= D(n-1)	ONE L ²	No new cycle Q = D(n-1) for one byte	H	H	L	No carry-over from previous cycle

- Note:**
1. Previous cycle may be any cycle(non-burst, burst, or wait).
 2. \overline{BWE} is LOW for individual byte WRITE.
 3. \overline{GW} = LOW yields the same result for all-byte WRITE operation.

TRUTH TABLE

OPERATION	ADDRESS USED	CE	CE2	CE2	ZZ	ADSP	ADSC	ADV	WRITE	OE	CLK	DQ
Deselected Cycle, Power Down	None	H	X	X	L	X	L	X	X	X	L-H	High-Z
Deselected Cycle, Power Down	None	L	X	L	L	L	X	X	X	X	L-H	High-Z
Deselected Cycle, Power Down	None	L	H	X	L	L	X	X	X	X	L-H	High-Z
Deselected Cycle, Power Down	None	L	X	L	L	H	L	X	X	X	L-H	High-Z
Deselected Cycle, Power Down	None	L	H	X	L	H	L	X	X	X	L-H	High-Z
Snooze Cycle, Power Down	None	X	X	X	H	X	X	X	X	X	X	High-Z
READ Cycle, Begin Burst	External	L	L	H	L	L	X	X	X	L	L-H	Q
READ Cycle, Begin Burst	External	L	L	H	L	L	X	X	X	H	L-H	High-Z
WRITE Cycle, Begin Burst	External	L	L	H	L	H	L	X	L	X	L-H	D
READ Cycle, Begin Burst	External	L	L	H	L	H	L	X	H	L	L-H	Q
READ Cycle, Begin Burst	External	L	L	H	L	H	L	X	H	H	L-H	High-Z
READ Cycle, Continue Burst	Next	X	X	X	L	H	H	L	H	L	L-H	Q
READ Cycle, Continue Burst	Next	X	X	X	L	H	H	L	H	H	L-H	High-Z
READ Cycle, Continue Burst	Next	H	X	X	L	X	H	L	H	L	L-H	Q
READ Cycle, Continue Burst	Next	H	X	X	L	X	H	L	H	H	L-H	High-Z
WRITE Cycle, Continue Burst	Next	X	X	X	L	H	H	L	L	X	L-H	D
WRITE Cycle, Continue Burst	Next	H	X	X	L	X	H	L	L	X	L-H	D
READ Cycle, Suspend Burst	Current	X	X	X	L	H	H	H	H	L	L-H	Q
READ Cycle, Suspend Burst	Current	X	X	X	L	H	H	H	H	H	L-H	High-Z
READ Cycle, Suspend Burst	Current	H	X	X	L	X	H	H	H	L	L-H	Q
READ Cycle, Suspend Burst	Current	H	X	X	L	X	H	H	H	H	L-H	High-Z
WRITE Cycle, Suspend Burst	Current	X	X	X	L	H	H	H	L	X	L-H	D
WRITE Cycle, Suspend Burst	Current	H	X	X	L	X	H	H	L	X	L-H	D

- Note:**
1. X means "don't care." H means logic HIGH. L means logic LOW. $\overline{\text{WRITE}} = \text{L}$ means any one or more byte write enable signals ($\overline{\text{BW1}}$, $\overline{\text{BW2}}$, $\overline{\text{BW3}}$ or $\overline{\text{BW4}}$) and $\overline{\text{BWE}}$ are LOW, or $\overline{\text{GW}}$ equals LOW. $\overline{\text{WRITE}} = \text{H}$ means all byte write signal are HIGH.
 2. $\overline{\text{BW1}}$ = enables write to DQ1-DQ8. $\overline{\text{BW2}}$ = enables write to DQ9-DQ16. $\overline{\text{BW3}}$ = enables write to DQ17-DQ24. $\overline{\text{BW4}}$ = enables write to DQ25-DQ32.
 3. All inputs except $\overline{\text{OE}}$ must meet setup and hold times around the rising edge (LOW to HIGH) of CLK.
 4. Suspending burst generates wait cycle.
 5. For a write operation following a read operation. $\overline{\text{OE}}$ must be HIGH before the input data required setup time plus High-Z time for $\overline{\text{OE}}$ and staying HIGH throughout the input data hold time.
 6. This device contains circuitry that will ensure the outputs will be High-Z during power-up.
 7. $\overline{\text{ADSP}} = \text{LOW}$ along with chip being selected always initiates an internal READ cycle at the L-H edge of CLK. A WRITE cycle can be performed by setting WRITE LOW for the CLK L-H edge of the subsequent wait cycle. Refer to WRITE timing diagram for clarification.

ABSOLUTE MAXIMUM RATINGS*

Voltage on VCC Supply Relative to VSS.
-0.5V to +4.6V
 I/O Supply Voltage VccQ Vss -0.5V to Vcc
 VIN..... -0.5V to Vcc +0.5V
 Storage Temperature (plastic)..... -55°C to +150°C
 Junction Temperature +150°C
 Power Dissipation 1.6W
 Short Circuit Output Current..... 100mA

*Stresses greater than those listed under "Absolute Maximum Ratings" may cause permanent damage to the device. This is a stress rating only and functional operation of the device at these or any other conditions above those indicated in the operational sections of this specification is not implied. Exposure to absolute maximum rating conditions for extended periods may affect reliability.

DC ELECTRICAL CHARACTERISTICS AND RECOMMENDED OPERATING CONDITIONS

(0°C ≤ Ta ≤ 70°C; VCC = 3.3V +10%/-5% unless otherwise noted)

DESCRIPTION	CONDITIONS	SYM.	MIN	MAX	UNITS	NOTES
Input High (Logic) voltage		V _{IH}	2	VCCQ + 0.3	V	1, 2
Input Low (Logic) voltage		V _{IL}	-0.3	0.8	V	1, 2
Input Leakage Current	0V ≤ V _{IN} ≤ VCC	I _{LI}	-2	2	μA	14
Output Leakage Current	Output(s) disabled, 0V ≤ V _{OUT} ≤ VCC	I _{LO}	-2	2	μA	
Output High Voltage	I _{OH} = -4.0 mA	V _{OH}	2.4		V	1, 11
Output Low Voltage	I _{OL} = 8.0 mA	V _{OL}		0.4	V	1, 11
Supply Voltage		Vcc	3.1	3.6	V	1

DESCRIPTION	CONDITIONS	SYM.	TYP	M A X					UNITS	NOTES
				-4.5	-5	-6	-7	-8		
Power Supply Current: Operating	Device selected; all inputs ≤ V _{IL} or ≥ V _{IH} ; cycle time ≥ t _{KC} MIN; VCC = MAX; outputs open	I _{CC}	200	300	270	230	190	150	mA	3, 12, 13
Power Supply Current: Idle	Device selected; <u>ADSC</u> , <u>ADSP</u> , <u>ADV</u> , <u>GW</u> , <u>BWE</u> ≥ V _{IH} ; all other inputs ≤ V _{IL} or ≥ V _{IH} ; VCC = MAX; cycle time ≥ t _{KC} MIN; outputs open	I _{SB1}	56	155	140	125	115	110	mA	12, 13
CMOS Standby	Device deselected; VCC = MAX; all inputs ≤ VSS + 0.2 or ≥ VCC - 0.2; all inputs static; CLK frequency = 0	I _{SB2}	0.5	5	5	5	5	5	mA	12, 13
TTL Standby	Device deselected; all inputs ≤ V _{IL} or ≥ V _{IH} ; all inputs static; VCC = MAX; CLK frequency = 0	I _{SB3}	15	25	25	25	25	25	mA	12, 13
Clock Running	Device deselected; all inputs ≤ V _{IL} or ≥ V _{IH} ; VCC = MAX; CLK cycle time ≥ t _{KC} MIN	I _{SB4}	30	81	81	76	66	51	mA	12, 13

CAPACITANCE

DESCRIPTION	CONDITIONS	SYM.	TYP	MAX	UNITS	NOTES
Input Capacitance	$T_A = 25^\circ\text{C}; f = 1 \text{ MHz}$	C_I	3	4	pF	4
Input/ Output Capacitance(DQ)	$V_{CC} = 3.3\text{V}$	C_O	6	7	pF	4

THERMAL CONSIDERATION

DESCRIPTION	CONDITIONS	SYM.	QFP TYP	UNITS	NOTES
Thermal Resistance - Junction to Ambient	Still air, soldered on 4.25x	Θ_{JA}	20	$^\circ\text{C/W}$	
Thermal Resistance - Junction to Case	1.125 inch 4-layer PCB	Θ_{JB}	1	$^\circ\text{C/W}$	

AC ELECTRICAL CHARACTERISTICS (Note 5) ($0^\circ\text{C} \leq T_A \leq 70^\circ\text{C}; V_{CC} = 3.3\text{V} \pm 10\% / -5\%$)

DESCRIPTION	SYM.	-4.5		-5		-6		-7		-8		UNITS	NOTES
		MIN	MAX	MIN	MAX	MIN	MAX	MIN	MAX	MIN	MAX		
Clock													
Clock cycle time	t_{KC}	8		10		12		15		20		ns	
Clock HIGH time	t_{KH}	3		4		4		5		6		ns	
Clock LOW time	t_{KL}	3		4		4		5		6		ns	
Output Times													
Clock to output valid	t_{KQ}		4.5		5		6		7		8	ns	
Clock to output invalid	t_{KQX}	2		2		2		2		2		ns	
Clock to output in Low-Z	t_{KQLZ}	2		3		3		3		3		ns	6, 7
Clock to output in High-Z	t_{KQHZ}		4.5		5		5		6		6	ns	6, 7
OE to output valid	t_{OEQ}		4.5		5		5		5		6	ns	9
OE to output in Low-Z	t_{OELZ}	0		0		0		0		0		ns	6, 7
OE to output in High-Z	t_{OEHZ}		3		4		5		6		6	ns	6, 7
Setup Times													
Address	t_{AS}	2.5		3		3		3		3		ns	8, 10
Address Status($\overline{\text{ADSC}}, \overline{\text{ADSP}}$)	t_{ADSS}	2.5		3		3		3		3		ns	8, 10
Address Advance ($\overline{\text{ADV}}$)	t_{AAS}	2.5		3		3		3		3		ns	8, 10
Byte Write Enables ($\overline{\text{BW1}} \sim \overline{\text{BW4}}, \overline{\text{BWE}}, \overline{\text{GW}}$)	t_{WS}	2.5		3		3		3		3		ns	8, 10
Data-in	t_{DS}	2.5		3		3		3		3		ns	8, 10
Chip Enables($\overline{\text{CE}}, \overline{\text{CE2}}, \overline{\text{CE2}}$)	t_{CES}	2.5		3		3		3		3		ns	8, 10
Hold Times													
Address	t_{AH}	0.5		0.5		0.5		0.5		0.5		ns	8, 10
Address Status($\overline{\text{ADSC}}, \overline{\text{ADSP}}$)	t_{ADSH}	0.5		0.5		0.5		0.5		0.5		ns	8, 10
Address Advance ($\overline{\text{ADV}}$)	t_{AAH}	0.5		0.5		0.5		0.5		0.5		ns	8, 10
Byte Write Enables ($\overline{\text{BW1}} \sim \overline{\text{BW4}}, \overline{\text{BWE}}, \overline{\text{GW}}$)	t_{WH}	0.5		0.5		0.5		0.5		0.5		ns	8, 10
Data-in	t_{DH}	0.5		0.5		0.5		0.5		0.5		ns	8, 10
Chip Enables($\overline{\text{CE}}, \overline{\text{CE2}}, \overline{\text{CE2}}$)	t_{CEH}	0.5		0.5		0.5		0.5		0.5		ns	8, 10

AC TEST CONDITIONS

Input pulse levels	0V to 3.0V
Input rise and fall times	1.5ns
Input timing reference levels	1.5V
Output reference levels	1.5V
Output load	See Figures 1 and 2

Notes:

1. All voltages referenced to VSS (GND).
2. Overshoot: $V_{IH} \leq +3.6 \text{ V}$ for $t \leq t_{KC}/2$.
Undershoot: $V_{IL} \leq -1.0 \text{ V}$ for $t \leq t_{KC}/2$.
3. I_{cc} is given with no output current. I_{cc} increases with greater output loading and faster cycle times.
4. This parameter is sampled.
5. Test conditions as specified with the output loading as shown in Fig. 1 unless otherwise noted.
6. Output loading is specified with $C_L = 5 \text{ pF}$ as in Fig. 2.
7. At any given temperature and voltage condition, t_{KQHZ} is less than t_{KQLZ} and t_{OEHZ} is less than t_{OELZ} .

8. A READ cycle is defined by byte write enables all HIGH or \overline{ADSP} LOW along with chip enables being active for the required setup and hold times. A WRITE cycle is defined by at one byte or all byte WRITE per READ/WRITE TRUTH TABLE.
9. \overline{OE} is a "don't care" when a byte write enable is sampled LOW.
10. This is a synchronous device. All synchronous inputs must meet specified setup and hold time, except for "don't care" as defined in the truth table.
11. AC I/O curves are available upon request.
12. "Device Deselected" means the device is in POWER-DOWN mode as defined in the truth table. "Device Selected" means the device is active.
13. Typical values are measured at 3.3V, 25°C and 20ns cycle time.
14. MODE pin has an internal pull-up and exhibits an input leakage current of $\pm 10\mu\text{A}$.

OUTPUT LOADS

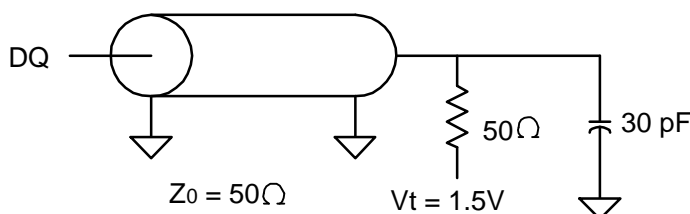


Fig.1 OUTPUT LOAD EQUIVALENT

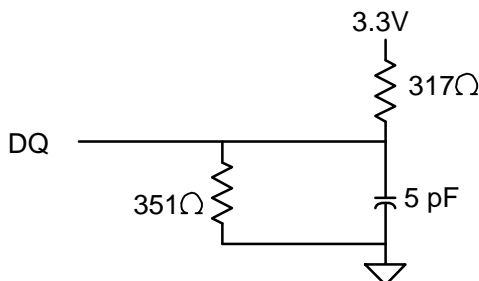


Fig.2 OUTPUT LOAD EQUIVALENT

SNOOZE MODE

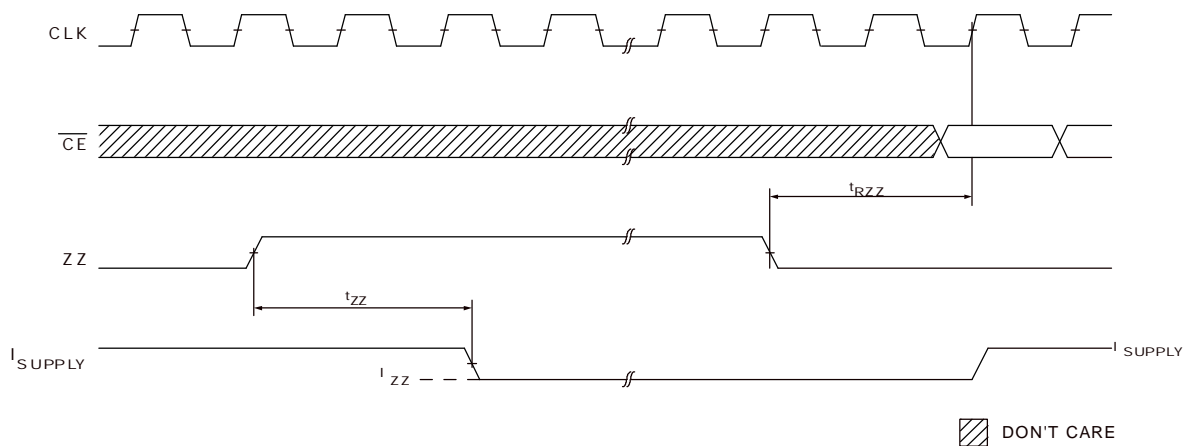
SNOOZE MODE is a low current, “power down” mode in which the device is deselected and current is reduced to I_{SB2} . The duration of SNOOZE MODE is dictated by the length of time the ZZ pin is in a HIGH state. After entering SNOOZE MODE, the clock and all other inputs are ignored. The ZZ pin (pin 64) is an asynchronous, active HIGH input that causes the device to enter

SNOOZE MODE. When the ZZ pin becomes a logic HIGH, I_{SB2} is guaranteed after the setup time t_{ZZ} is met. Any access pending when entering SNOOZE MODE is not guaranteed to successfully complete. Therefore, SNOOZE MODE must not be initiated until valid pending operations are completed.

SNOOZE MODE ELECTRICAL CHARACTERISTICS

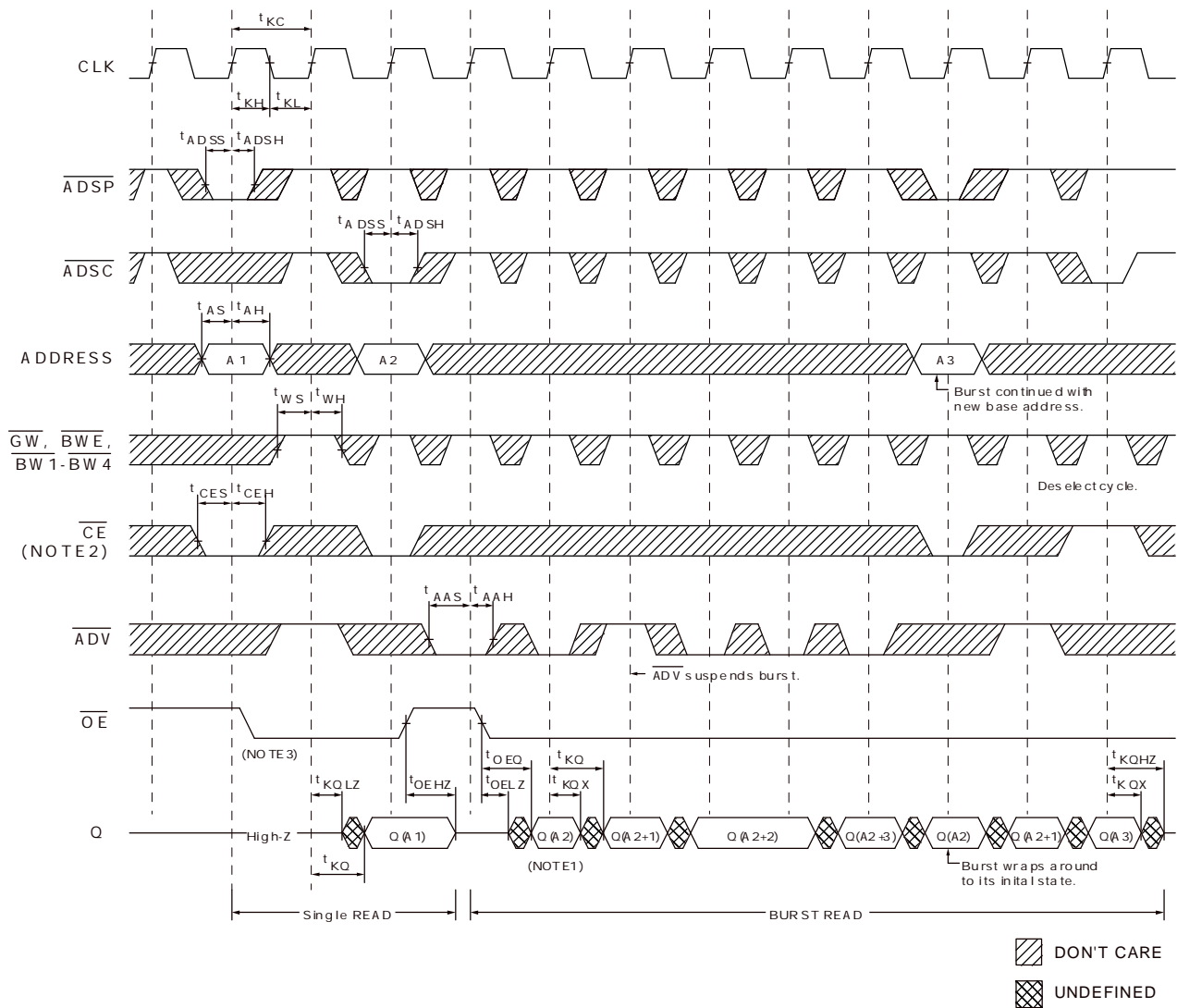
DESCRIPTION	CONDITIONS	SYMBOL	MIN	MAX	UNITS	NOTES
Current during SNOOZE MODE	$ZZ \geq V_{IH}$	I_{SB2}		5	mA	
ZZ HIGH to SNOOZE MODE time		t_{ZZ}	$2(t_{KC})$		ns	4
SNOOZE MODE Operation Recovery Time		t_{RZZ}		$2(t_{KC})$	ns	4

SNOOZE MODE WAVEFORM



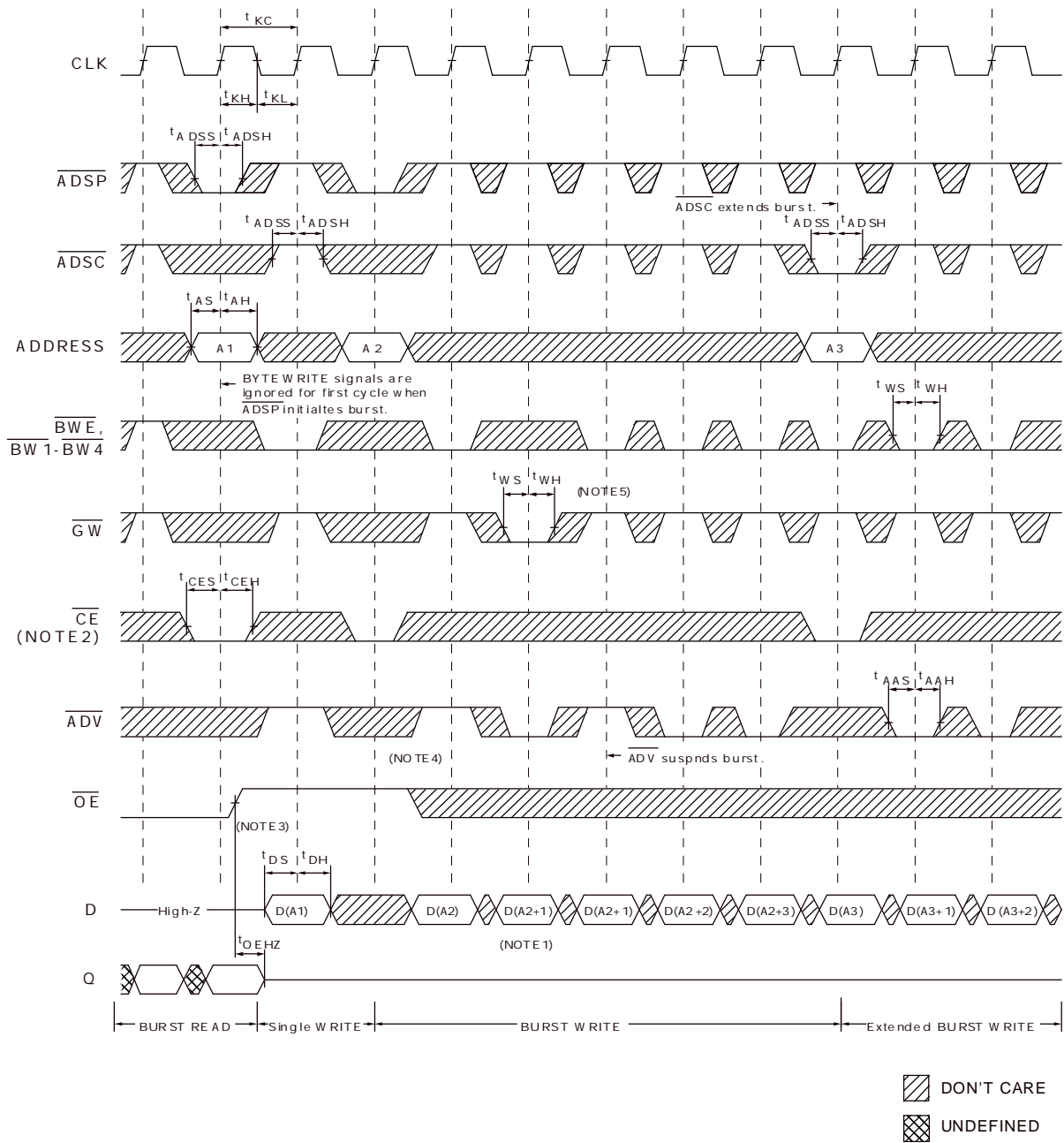
- Note:**
1. The \overline{CE} signal shown above refers to a TRUE state on all chip selects for the device.
 2. All other inputs held to static CMOS levels ($V_{IN} \leq V_{SS} + 0.2 \text{ V}$ or $\geq V_{CC} - 0.2 \text{ V}$).

READ TIMING



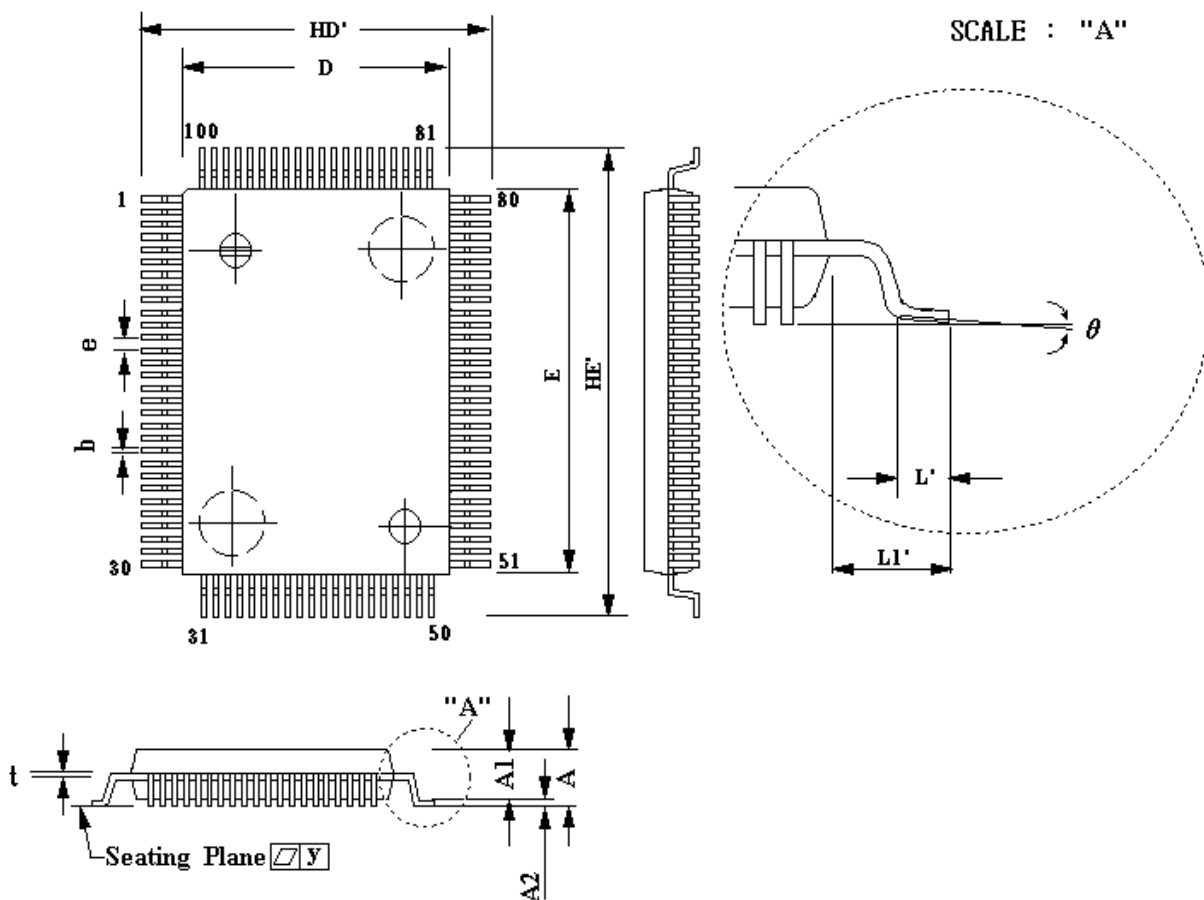
- Note:**
1. Q(A2) refers to output from address A2. Q(A2 + 1) refers to output from the next internal burst address following A2.
 2. $\overline{CE2}$ and CE2 have timing identical to \overline{CE} . On this diagram, when \overline{CE} is LOW, $\overline{CE2}$ is LOW and CE2 is HIGH. When \overline{CE} is HIGH, $\overline{CE2}$ is HIGH and CE2 is LOW.
 3. Timing is shown assuming that the device was not enabled before entering into this sequence. \overline{OE} does not cause Q to be driven until after the following clock rising edge.

WRITE TIMING



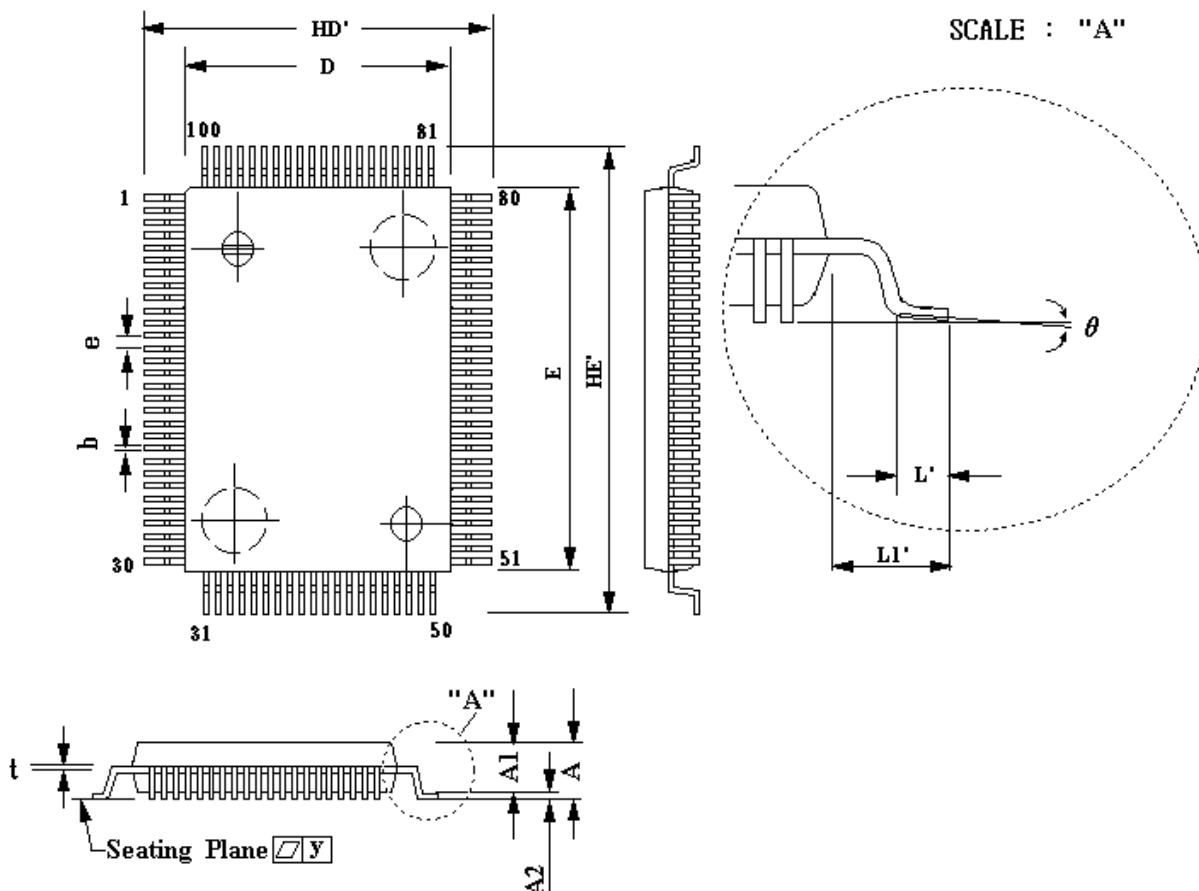
- Note:**
1. Q(A2) refers to output from address A2. Q(A2 + 1) refers to output from the next internal burst address following A2.
 2. $\overline{CE2}$ and $\overline{CE2}$ have timing identical to \overline{CE} . On this diagram, when \overline{CE} is LOW, $\overline{CE2}$ is LOW and $\overline{CE2}$ is HIGH. When \overline{CE} is HIGH, $\overline{CE2}$ is HIGH and $\overline{CE2}$ is LOW.
 3. OE must be HIGH before the input data setup and hold HIGH throughout the data hold time. This prevents input/output data contention for the time period to the byte write enable inputs being sampled.
 4. ADV must be HIGH to permit a WRITE to the loaded address.
 5. Full width WRITE can be initiated by \overline{GW} LOW or \overline{GW} HIGH and \overline{BWE} , $\overline{BW1}$ - $\overline{BW4}$ LOW.

PACKAGE DIMENSIONS
100-LEAD QFP SSRAM (14 x 20 mm)



SYMBOL	DIMENSIONS IN INCHES	DIMENTION IN MM
A	0.130(MAX)	3.302(MAX)
A1	0.112 _j $\text{Ø}005$	2.845 _j $\text{Ø}127$
A2	0.004(MIN)	0.102(MIN)
b	0.012+0.004-0.002	0.300+0.102-0.051
D	0.551 _j $\text{Ø}005$	14.000 _j $\text{Ø}127$
E	0.787 _j $\text{Ø}005$	20.000 _j $\text{Ø}127$
e	0.026 _j $\text{Ø}006$	0.650 _j $\text{Ø}152$
HD'	0.677 _j $\text{Ø}008$	17.200 _j $\text{Ø}203$
HE'	0.913 _j $\text{Ø}008$	23.200 _j $\text{Ø}203$
L'	0.032 _j $\text{Ø}008$	0.800 _j $\text{Ø}203$
L1'	0.063 _j $\text{Ø}008$	1.600 _j $\text{Ø}203$
t	0.006+0.004-0.002	0.150+0.102-0.051
y	0.004(MAX)	0.102(MAX)
£ c	0i $\text{Ø}12i$ C	0i $\text{Ø}12i$ C

PACKAGE DIMENSIONS
100-LEAD TQFP SSRAM (14 x 20 mm)



SYMBOL	DIMENSIONS IN INCHES	DIMENTION IN MM
A	0.063(MAX)	1.600(MAX)
A1	0.055 _j $\text{\textcircled{C}}005$	1.400 _j $\text{\textcircled{C}}050$
A2	0.002(MIN)	0.050(MIN)
b	0.013+0.002-0.004	0.320+0.060-0.100
D	0.551 _j $\text{\textcircled{C}}004$	14.000 _j $\text{\textcircled{C}}100$
E	0.787 _j $\text{\textcircled{C}}004$	20.000 _j $\text{\textcircled{C}}100$
e	0.026 _j $\text{\textcircled{C}}006$	0.650 _j $\text{\textcircled{C}}152$
HD'	0.630 _j $\text{\textcircled{C}}004$	16.000 _j $\text{\textcircled{C}}100$
HE'	0.866 _j $\text{\textcircled{C}}004$	22.000 _j $\text{\textcircled{C}}100$
L'	0.024 _j $\text{\textcircled{C}}006$	0.600 _j $\text{\textcircled{C}}150$
L1'	0.039 _j $\text{\textcircled{C}}006$	1.000 _j $\text{\textcircled{C}}150$
t	0.006 _j $\text{\textcircled{C}}002$	0.150+0.050-0.060
y	0.003(MAX)	0.080(MAX)
£ c	0 _i $\text{\textcircled{C}}7$ _i $\text{\textcircled{C}}$	0 _i $\text{\textcircled{C}}7$ _i $\text{\textcircled{C}}$