

6

5

4

3

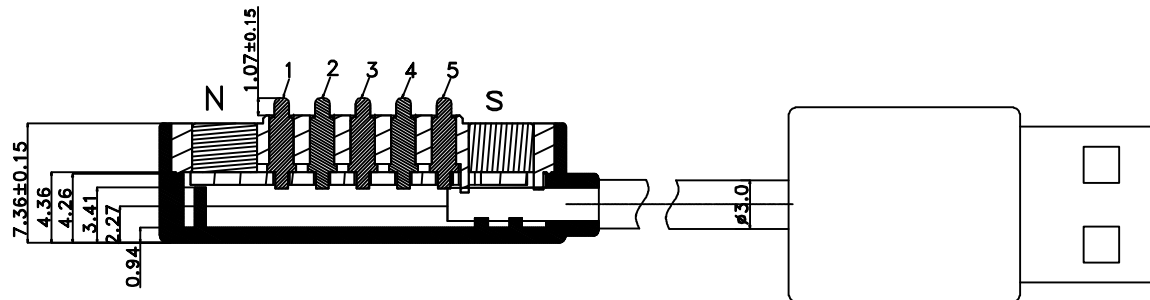
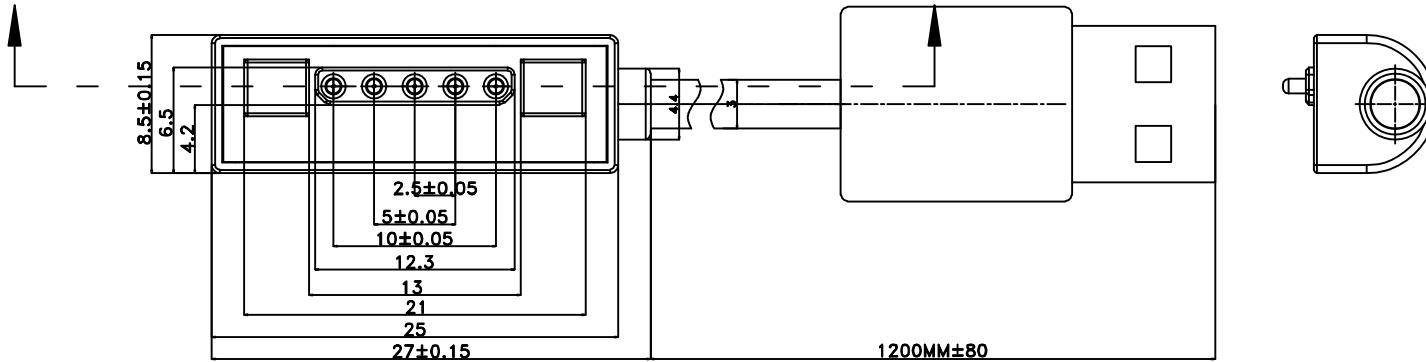
2

1

APPROVED: _____

DATE: _____ TITLE: _____

Rev	AWO #	Description	Date	Appr
-		RELEASED	6/30/17	



SPECIFICATIONS:

Material:

Housing: ABS, Color: White

Contact: Brass, 3u" Gold plated over Nickel

Spring: SUS

Electrical:

Voltage rating (Per Contact): 12 Volts

Current rating (Per Contact): 1.5 A max

Contact resistance: 30 mohms max @ working stroke

Insulation resistance: 100 Mohms min

Dielectric withstanding voltage: 100 VRMS

Mechanical:

Working Stroke & Force: 0.6mm (per Contact) @ 40gf±20g

Durability: 10,000 cycles min

Temperature Rating:

Operating temperature: -30°C to +80°C

Environmental:

Lead free, RoHS compliant.

1.vchg	V-bus
2.usb11.dm	Data-
3.usb11.dp	Data+
4.bat	NC
5.gnd-signal	GND

UNLESS OTHERWISE SPECIFIED
 ALL DIMENSIONS ARE MILLIMETERS
 TOLERANCES: EXCEPT AS NOTED

Millimeters	HOLES
.X ± .25	
.XX ± .15	Ø.XX ± .15
.XXX ± .05	

ADAM TECH

909 Rahway Avenue, Union, NJ 07083
 Phone: 908-687-5000 Fax: 908-687-5710

TITLE		
2.50MM PITCH POGO PIN CABLE, MALE, 5P		
SIZE	PART NO.	REV.
X	CA-RA5-PH1-25736-M	-
REF: S00185C	SCALE: NTS	SHEET 1 OF 1

APPROVALS		DATE
DRAWN	HR	6/30/17
CHECKED	CK	6/30/17
APPROVED		



6

5

4

3

2

1