

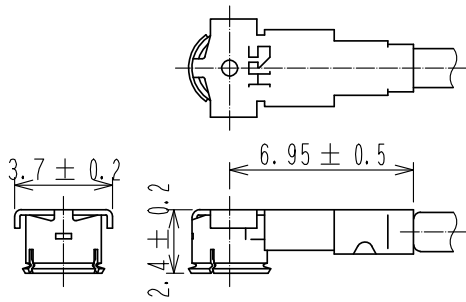
NOTE 1 We indicate the length of the harness on the last of product name. 'L' part.

2 Tolerance for [L]

L (mm)	STANDARD TOLERANCE
35 ≤ L ≤ 200	± 4 mm
200 < L ≤ 500	± 8 mm
500 < L ≤ 1000	± 12 mm
1000 < L	± 1.5% mm

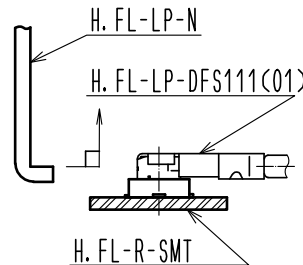
3. Specifications are subject to change without notice.

[DIMENSIONS OF CONNECTOR]



[PRECAUTIONS FOR HANDLING]

- ◆ Connector insertion and extraction
 - a. Connector shall be extracted vertically by specialised extraction JIG.
 Part No.: H.FL-LP-N (CL Code: CL331-0551-7)
 Never hold the cable when extracting the cable because it damages the connector.
 - b. Insert the connector as perpendicularly to the mating surface as possible by aligning the mating axes of both connectors. Do not excessively slant the connectors when inserting.



2	H. FL-LP CONTACT	CL331-0511-2		
1	H. FL-LP-DFS111(01)	CL331-0503-4-01	3	1.5Dia. coaxial cable
NO.	PART NO.	CODE NO.	NO.	PART NO.

UNITS mm		SCALE FREE	COUNT 	DESCRIPTION OF REVISIONS	DESIGNED	CHECKED	DATE
		APPROVED : NK. NINOMIYA 16.11.08		DRAWING NO. EDC-373619-00-00			
HIROSE ELECTRIC CO., LTD.		CHECKED : NK. NINOMIYA 16.11.08		PART NO. H. FL-LP-FHSB-A-L		1	
		DESIGNED : KS. TAKAHASHI 16.11.08		CODE NO. CL321-5111-4-00		1/1	
		DRAWN : KS. TAKAHASHI 16.11.08					