

# Mallory Sonalert Products, Inc.

Part #: **SC648ANR**

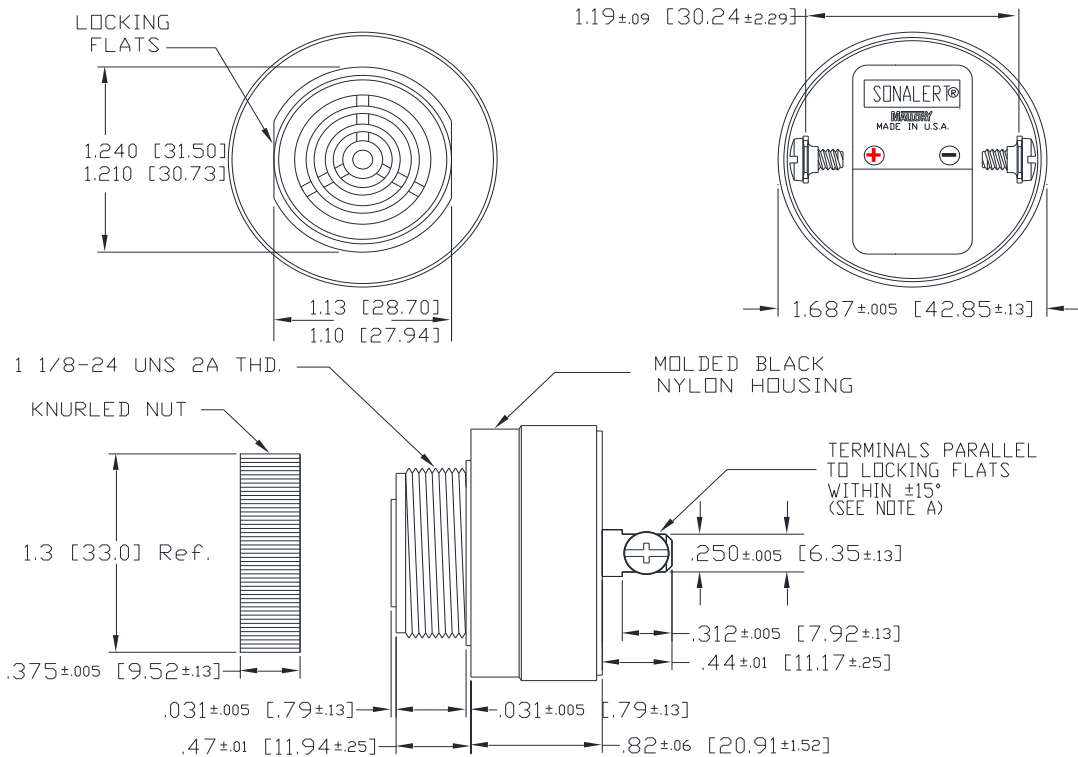
## Sales Outline Drawing

Revision: **H**

### Specifications:

|                       |  |
|-----------------------|--|
| Sound Level Category  | Loud   |
| Mode of Operation     | Continuous   |
| Voltage Rating        | 10 to 48 VAC/DC  |
| Frequency             | 2900 ± 500 Hz  |
| Loudness @ 2 FT       | 89 to 105 dB(A) Typ.   |
| Loudness @ Min Vdc    | 80 dB(A) @ 2 Feet and 10 Vdc   |
| Loudness @ Max Vdc    | 95 dB(A) @ 2 Feet and 48 Vdc   |
| Current Draw          | 4-26mA   |
| Housing Material      | 6/6 Nylon, Color: Black  |
| Storage Temperature   | -40° to +85° C   |
| Operating Temperature | -30° to +65° C   |
| Panel Mounting        | Recommended hole size is 1.25"(31.75mm). Thread front will fit standard 30mm(1.181") hole. |
| Knurled Nut           | Used to attach part to panel. The max recommended torque is 10 in-lbs.                     |
| Weight (Typical)      | 1.6 oz (45g)   |
| NEMA 3R,4X, & 12      | Approved with use of ACC03.  |
| Options               | Please contact factory.  |

**Dimensions:** Inches (mm) **cUL Recognized** **ROHS Compliant**



NOTE A: TERMINALS-.032 BRASS TIN PLATED, TAPPED FOR #6-32 SCREW. TWO #6-32 NICKEL PLATED BRASS SCREWS INCLUDED. WILL ACCEPT 1/4" QUICK CONNECT.

NOTE B: MOUNTING- REMOVE BLACK PLASTIC NUT AND INSERT THREADED FRONT THROUGH 1.25" HOLE PUNCHED IN PANEL, IF ORIENTATION IS NEEDED, NOTE LOCKING FLATS ON DRAWING. SCREW NUT BACK ON. DO NOT OVERTIGHTEN.