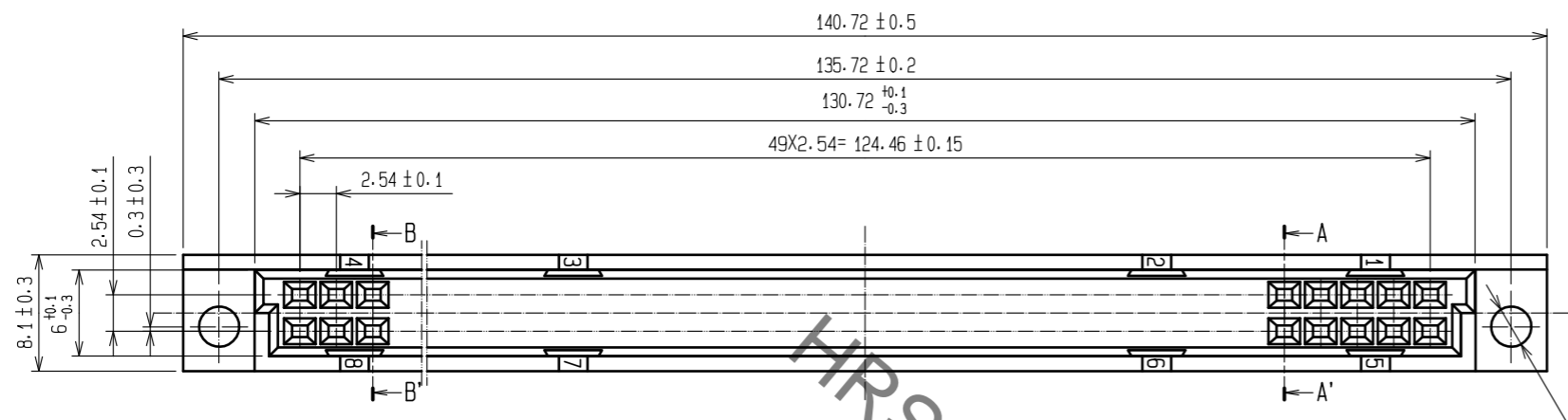
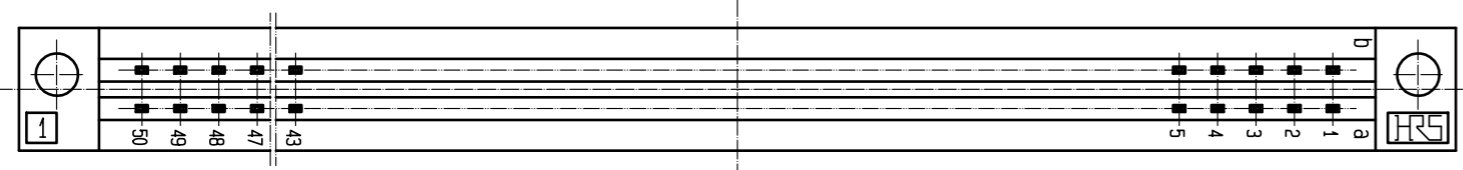
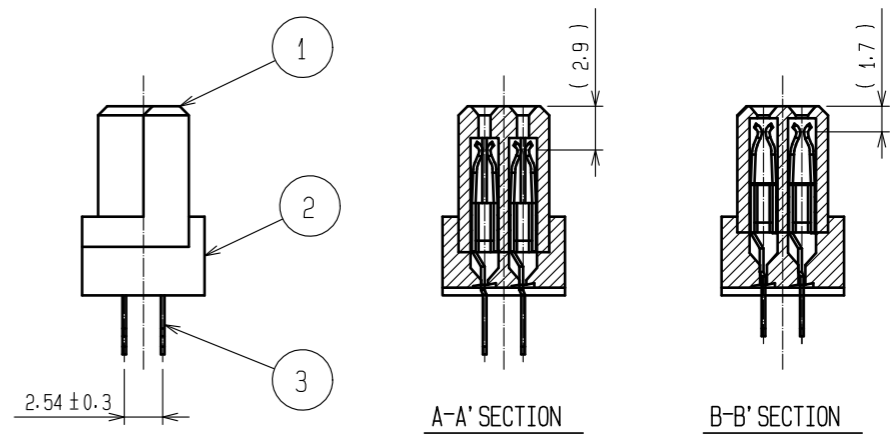
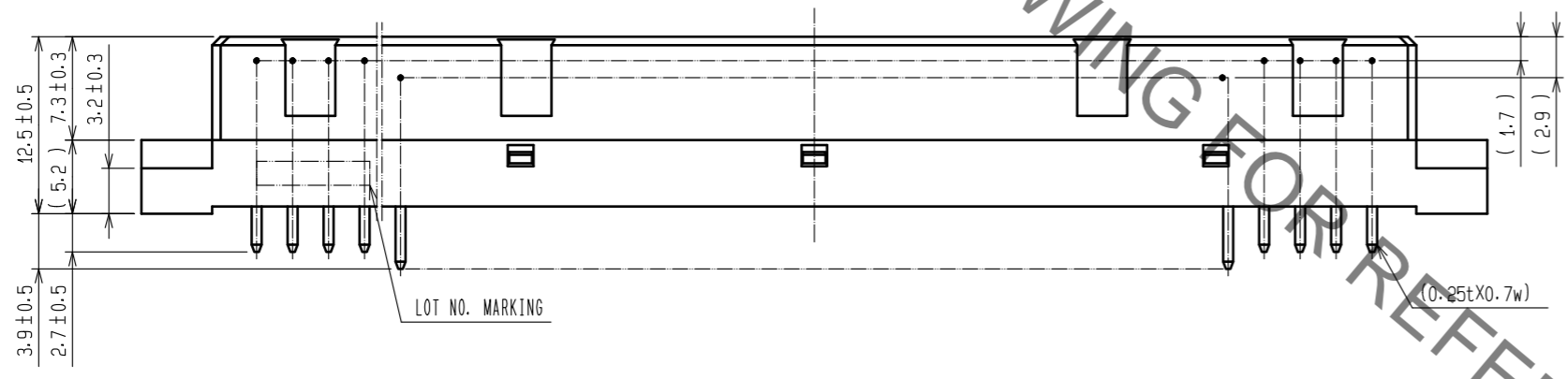
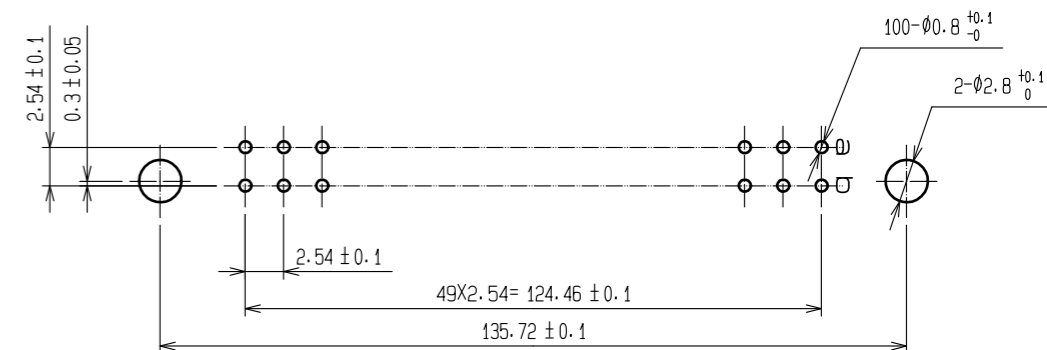


Aug.1.2022 Copyright 2022 HIROSE ELECTRIC CO., LTD. All Rights Reserved.
In case of consideration for using Automotive equipment / device which demand high reliability, kindly contact our sales window correspondents.



RECOMMENDED PC BOARD HOLE PATTERN(t=1.6±0.1)



Notes
 1. Sequence contacts are No.1~4, 44~50, Total 22 contacts.
 2. The dimension in parenthesis is for reference.

1, 2	PBT	BLACK UL94V-0	3	COPPER ALLOY	CONTACT AREA : Ni1μm+Au0.2μm DIP AREA : Ni1μm+Sn1μm		
NO.	MATERIAL	FINISH . REMARKS	NO.	MATERIAL	FINISH . REMARKS		
UNITS mm		SCALE FREE	COUNT	DESCRIPTION OF REVISIONS	DESIGNED	CHECKED	DATE
HRS HIROSE ELECTRIC CO., LTD.		APPROVED : YH. YAMADA	20210305	DRAWING NO.	EDC-019610-52-00		
		CHECKED : HT. YAMAGUCHI	20210305	PART NO.	PCN10MC-100S-2.54DSA(52)		
		DESIGNED : MM. ISHII	20210303	CODE NO.	CL0583-0214-2-52		
		DRAWN : MM. ISHII	20210303		1/1		