

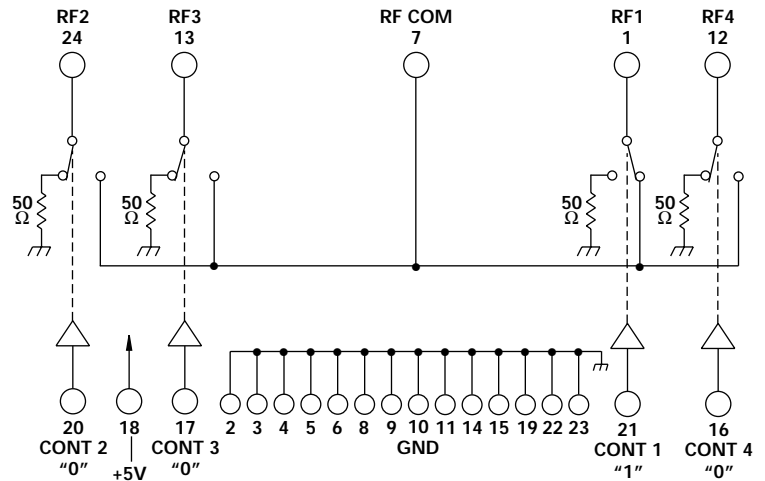
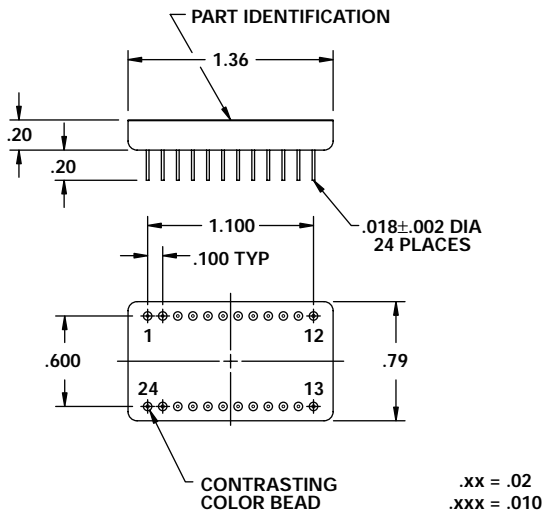
FEATURES

- 10 - 1000 MHz
- 18 mA, +5 VDC
- Low Insertion Loss
- 70 dB Isolation < 500 MHz
- 60 dB Isolation < 1000 MHz
- Non-Reflective
- TTL Driver
- 24 Pin DIP
- See DS0744 For Surface Mount Version



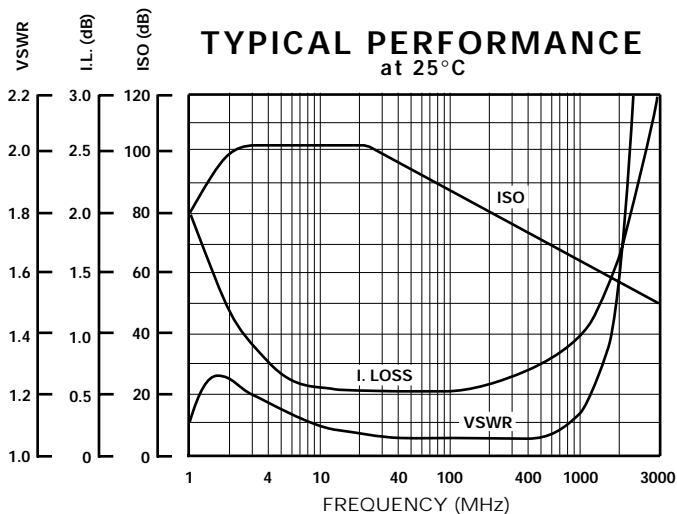
MODEL NO.
DS0644

PIN Diode SP4T



GUARANTEED PERFORMANCE

Parameter	Min	Typ	Max	Units	Conditions
Operating Frequency	10		1000	MHz	
DC Current		18	23	mA	At +5 VDC Supply
Control Type		TTL			4 Line Logic "1" = Thru Logic "0" = Isolation
Control Current		< 0.1	±10	μA	VIH = +2.7V VIL = +0.5V
Insertion Loss		0.63	1.0	dB	10 - 100 MHz
		1.00	1.5	dB	100 - 1000 MHz
Isolation		80	88	dB	10 - 100 MHz
		60	68	dB	100 - 500 MHz
		50	58	dB	500 - 1000 MHz
VSWR	Thru	1.11/1	1.3/1		10 - 1000 MHz
	Termination	1.13/1	1.5/1		10 - 1000 MHz
Impedance		50		OHMS	
Switching Speed		1.6	3	μSEC	50% TTL to 90% / 10% RF
Transition (Rise/Fall) Time		0.5		μSEC	90% / 10% or 10% / 90% RF
Switching (Video) Transients		0.5		V	Peak Value
Intercept Points	2nd	+66		dBm	400 MHz / 575 MHz
	3rd	+43		dBm	200 MHz / 575 MHz
RF Power	Operate	+10	+7	dBm	10 - 20 MHz
		+16	+10	dBm	20 - 100 MHz
		+25	+21	dBm	100 - 1000 MHz
	No Damage		+27	dBm	
Operating Temperature	-55	+25	+125	°C	TA



This datasheet has been download from:

www.datasheetcatalog.com

Datasheets for electronics components.