

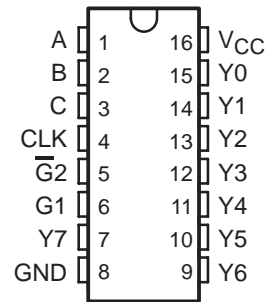
SN74AS131A

3-LINE TO 8-LINE DECODER/DEMULTIPLEXER WITH ADDRESS REGISTERS

SDAS060C – APRIL 1982 – REVISED DECEMBER 1994

- Combines Decoder and 3-Bit Address Register
- Incorporates Two Enable Inputs to Simplify Cascading
- Package Options Include Plastic Small-Outline (D) Packages and Standard Plastic (N) 300-mil DIPs

D OR N PACKAGE
(TOP VIEW)



description

The SN74AS131A is a 3-line to 8-line decoder/demultiplexer with registers on the three address inputs. When the clock (CLK) input goes from low to high, the device acts as a decoder/demultiplexer and the address present at the select (A, B, and C) inputs is stored in the registers. Further address changes are ignored until the next rising transition of CLK. The output-enable (G1, G2) inputs control the state of the outputs independently of the select or CLK inputs. All of the outputs are high unless G1 is high and G2 is low. This device is ideally suited for implementing glitch-free decoders in strobed (stored-address) applications in bus-oriented systems.

The SN74AS131A is characterized for operation from 0°C to 70°C.

FUNCTION TABLE

INPUTS		OUTPUTS											
		ENABLE			SELECT								
CLK	G1	G2	C	B	A	Y0	Y1	Y2	Y3	Y4	Y5	Y6	Y7
	X	X	H	X	X	X	H	H	H	H	H	H	H
X	L	X	X	X	X	H	H	H	H	H	H	H	H
↑	H	L	L	L	L	L	H	H	H	H	H	H	H
↑	H	L	L	L	H	H	L	H	H	H	H	H	H
↑	H	L	L	H	L	H	H	L	H	H	H	H	H
↑	H	L	L	H	H	H	H	L	H	H	H	H	H
↑	H	L	H	L	H	H	H	H	H	L	H	H	H
↑	H	L	H	H	L	H	H	H	H	H	L	H	H
↑	H	L	H	H	H	H	H	H	H	H	H	L	H
L or H	H	L	X	X	X	Outputs corresponding to stored address = L; all others = H.							

PRODUCTION DATA information is current as of publication date. Products conform to specifications per the terms of Texas Instruments standard warranty. Production processing does not necessarily include testing of all parameters.



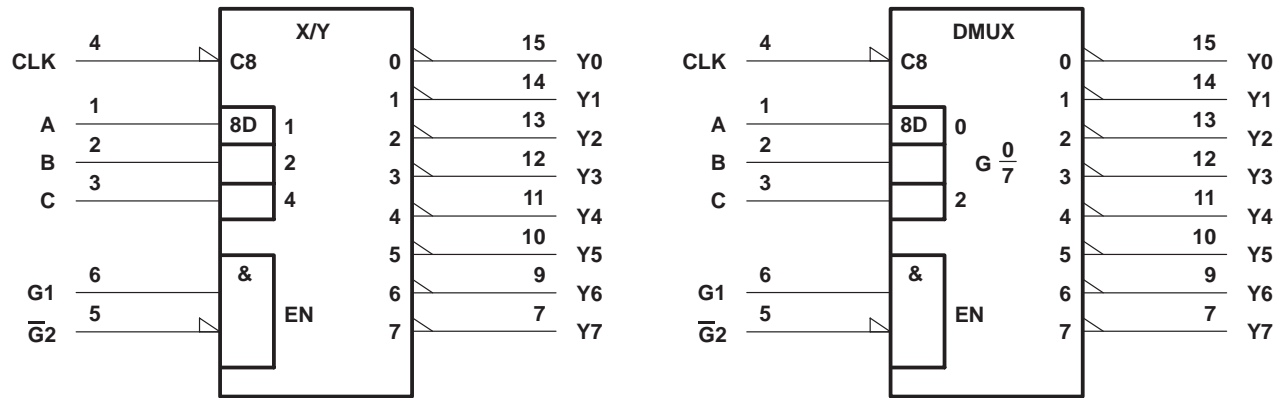
Copyright © 1994, Texas Instruments Incorporated

SN74AS131A

3-LINE TO 8-LINE DECODER/DEMULTIPLEXER WITH ADDRESS REGISTERS

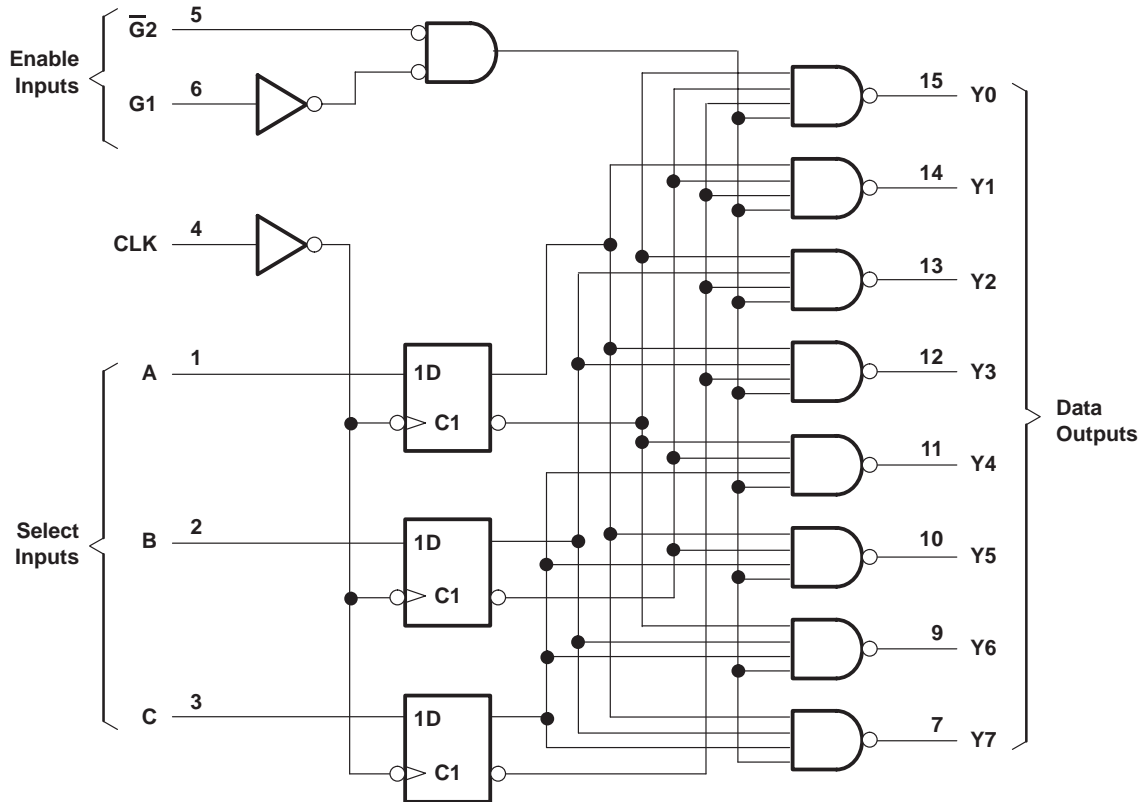
SDAS060C – APRIL 1982 – REVISED DECEMBER 1994

logic symbols (alternatives)†



† These symbols are in accordance with ANSI/IEEE Std 91-1984 and IEC Publication 617-12.

logic diagram (positive logic)



SN74AS131A

3-LINE TO 8-LINE DECODER/DEMULTIPLEXER WITH ADDRESS REGISTERS

SDAS060C – APRIL 1982 – REVISED DECEMBER 1994

absolute maximum ratings over operating free-air temperature range (unless otherwise noted)†

Supply voltage, V_{CC}	7 V
Input voltage, V_I	7 V
Operating free-air temperature range, T_A	0°C to 70°C
Storage temperature range	–65°C to 150°C

† Stresses beyond those listed under “absolute maximum ratings” may cause permanent damage to the device. These are stress ratings only, and functional operation of the device at these or any other conditions beyond those indicated under “recommended operating conditions” is not implied. Exposure to absolute-maximum-rated conditions for extended periods may affect device reliability.

recommended operating conditions

		MIN	NOM	MAX	UNIT
V_{CC}	Supply voltage	4.5	5	5.5	V
V_{IH}	High-level input voltage	2			V
V_{IL}	Low-level input voltage			0.8	V
I_{OH}	High-level output current			–2	mA
I_{OL}	Low-level output current			20	mA
f_{clock}	Clock frequency	0		100	MHz
t_w	Pulse duration	CLK high	5		ns
		CLK low	5		
t_{su}	Setup time, A, B, and C before CLK↑	3.5			ns
t_h	Hold time, A, B, and C after CLK↑	0			ns
T_A	Operating free-air temperature	0		70	°C

electrical characteristics over recommended operating free-air temperature range (unless otherwise noted)

PARAMETER	TEST CONDITIONS	MIN	TYP‡	MAX	UNIT
V_{IK}	$V_{CC} = 4.5 V, I_I = -18 mA$			–1.2	V
V_{OH}	$V_{CC} = 4.5 V \text{ to } 5.5 V, I_{OH} = -2 mA$	$V_{CC} - 2$			V
V_{OL}	$V_{CC} = 4.5 V, I_{OL} = 20 mA$		0.35	0.5	V
I_I	$V_{CC} = 5.5 V, V_I = 7 V$			0.1	mA
I_{IH}	$V_{CC} = 5.5 V, V_I = 2.7 V$			20	μA
I_{IL}	$V_{CC} = 5.5 V, V_I = 0.4 V$			–0.5	mA
I_{O}^{\S}	$V_{CC} = 5.5 V, V_O = 2.25 V$	–30		–112	mA
I_{CCH}	$V_{CC} = 5.5 V$		15	29	mA
I_{CCL}	$V_{CC} = 5.5 V$		16	30	mA

‡ All typical values are at $V_{CC} = 5 V, T_A = 25^\circ C$.

§ The output conditions have been chosen to produce a current that closely approximates one half of the true short-circuit output current, I_{OS} .



SN74AS131A

3-LINE TO 8-LINE DECODER/DEMULTIPLEXER WITH ADDRESS REGISTERS

SDAS060C – APRIL 1982 – REVISED DECEMBER 1994

switching characteristics (see Figure 1)

PARAMETER	FROM (INPUT)	TO (OUTPUT)	V _{CC} = 4.5 V to 5.5 V, C _L = 50 pF, R _L = 500 Ω, T _A = MIN to MAX†		UNIT
			MIN	MAX	
f _{max}			100		MHz
t _{PLH}	CLK	Y	2	14.5	ns
t _{PHL}			2	9.5	
t _{PLH}	G1	Y	2	10	ns
t _{PHL}			2	9	
t _{PLH}	$\overline{G2}$	Y	2	7	ns
t _{PHL}			2	8.5	

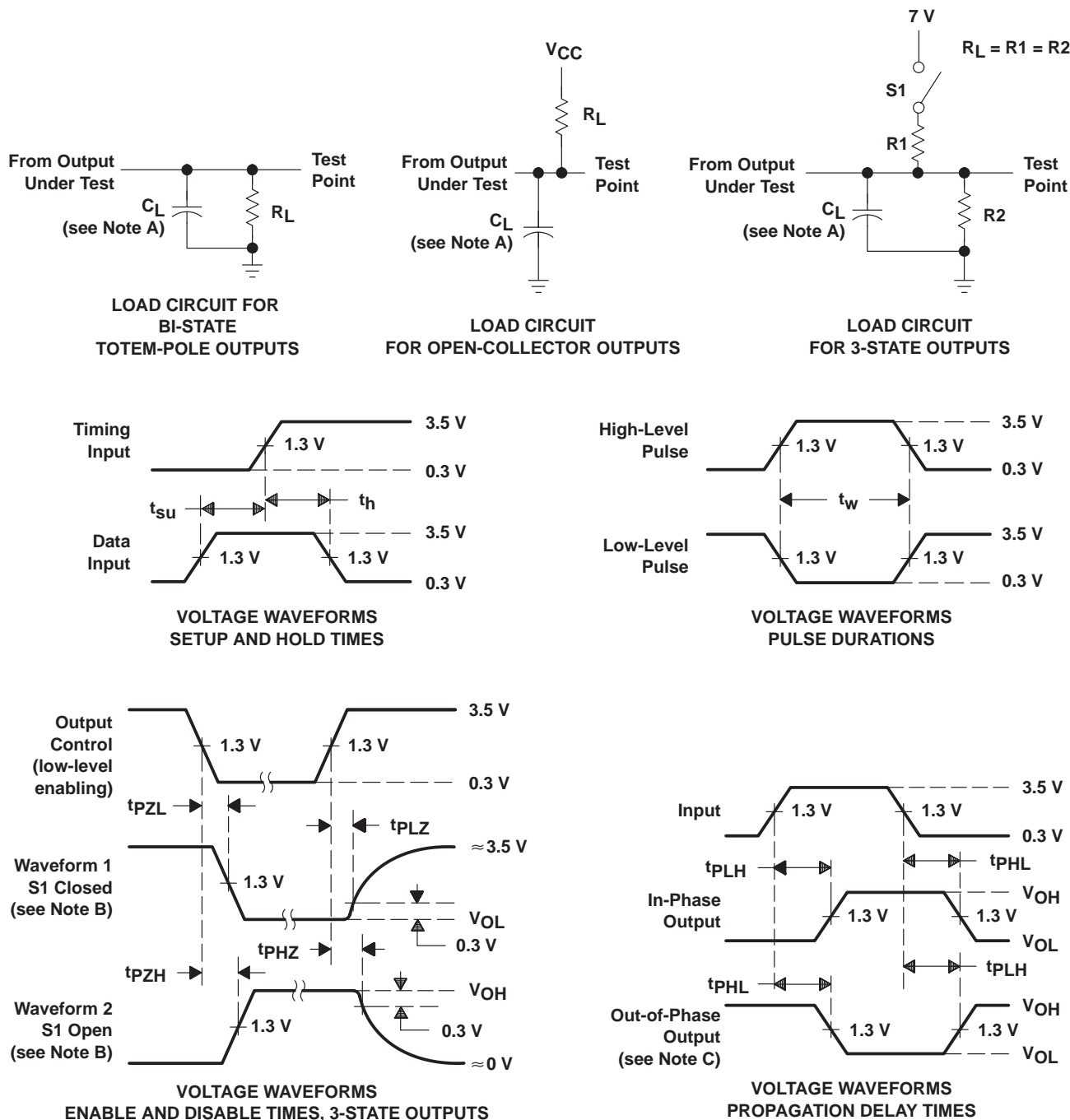
† For conditions shown as MIN or MAX, use the appropriate value specified under recommended operating conditions.



SN74AS131A 3-LINE TO 8-LINE DECODER/DEMULTIPLEXER WITH ADDRESS REGISTERS

SDAS060C – APRIL 1982 – REVISED DECEMBER 1994

PARAMETER MEASUREMENT INFORMATION SERIES 54ALS/74ALS AND 54AS/74AS DEVICES



- NOTES: A. C_L includes probe and jig capacitance.
 B. Waveform 1 is for an output with internal conditions such that the output is low except when disabled by the output control. Waveform 2 is for an output with internal conditions such that the output is high except when disabled by the output control.
 C. When measuring propagation delay items of 3-state outputs, switch S1 is open.
 D. All input pulses have the following characteristics: $PRR \leq 1$ MHz, $t_r = t_f = 2$ ns, duty cycle = 50%.
 E. The outputs are measured one at a time with one transition per measurement.

Figure 1. Load Circuits and Voltage Waveforms



IMPORTANT NOTICE

Texas Instruments Incorporated and its subsidiaries (TI) reserve the right to make corrections, modifications, enhancements, improvements, and other changes to its products and services at any time and to discontinue any product or service without notice. Customers should obtain the latest relevant information before placing orders and should verify that such information is current and complete. All products are sold subject to TI's terms and conditions of sale supplied at the time of order acknowledgment.

TI warrants performance of its hardware products to the specifications applicable at the time of sale in accordance with TI's standard warranty. Testing and other quality control techniques are used to the extent TI deems necessary to support this warranty. Except where mandated by government requirements, testing of all parameters of each product is not necessarily performed.

TI assumes no liability for applications assistance or customer product design. Customers are responsible for their products and applications using TI components. To minimize the risks associated with customer products and applications, customers should provide adequate design and operating safeguards.

TI does not warrant or represent that any license, either express or implied, is granted under any TI patent right, copyright, mask work right, or other TI intellectual property right relating to any combination, machine, or process in which TI products or services are used. Information published by TI regarding third-party products or services does not constitute a license from TI to use such products or services or a warranty or endorsement thereof. Use of such information may require a license from a third party under the patents or other intellectual property of the third party, or a license from TI under the patents or other intellectual property of TI.

Reproduction of TI information in TI data books or data sheets is permissible only if reproduction is without alteration and is accompanied by all associated warranties, conditions, limitations, and notices. Reproduction of this information with alteration is an unfair and deceptive business practice. TI is not responsible or liable for such altered documentation. Information of third parties may be subject to additional restrictions.

Resale of TI products or services with statements different from or beyond the parameters stated by TI for that product or service voids all express and any implied warranties for the associated TI product or service and is an unfair and deceptive business practice. TI is not responsible or liable for any such statements.

TI products are not authorized for use in safety-critical applications (such as life support) where a failure of the TI product would reasonably be expected to cause severe personal injury or death, unless officers of the parties have executed an agreement specifically governing such use. Buyers represent that they have all necessary expertise in the safety and regulatory ramifications of their applications, and acknowledge and agree that they are solely responsible for all legal, regulatory and safety-related requirements concerning their products and any use of TI products in such safety-critical applications, notwithstanding any applications-related information or support that may be provided by TI. Further, Buyers must fully indemnify TI and its representatives against any damages arising out of the use of TI products in such safety-critical applications.

TI products are neither designed nor intended for use in military/aerospace applications or environments unless the TI products are specifically designated by TI as military-grade or "enhanced plastic." Only products designated by TI as military-grade meet military specifications. Buyers acknowledge and agree that any such use of TI products which TI has not designated as military-grade is solely at the Buyer's risk, and that they are solely responsible for compliance with all legal and regulatory requirements in connection with such use.

TI products are neither designed nor intended for use in automotive applications or environments unless the specific TI products are designated by TI as compliant with ISO/TS 16949 requirements. Buyers acknowledge and agree that, if they use any non-designated products in automotive applications, TI will not be responsible for any failure to meet such requirements.

Following are URLs where you can obtain information on other Texas Instruments products and application solutions:

Products

Amplifiers	amplifier.ti.com
Data Converters	dataconverter.ti.com
DLP® Products	www.dlp.com
DSP	dsp.ti.com
Clocks and Timers	www.ti.com/clocks
Interface	interface.ti.com
Logic	logic.ti.com
Power Mgmt	power.ti.com
Microcontrollers	microcontroller.ti.com
RFID	www.ti-rfid.com
RF/IF and ZigBee® Solutions	www.ti.com/lprf

Applications

Audio	www.ti.com/audio
Automotive	www.ti.com/automotive
Broadband	www.ti.com/broadband
Digital Control	www.ti.com/digitalcontrol
Medical	www.ti.com/medical
Military	www.ti.com/military
Optical Networking	www.ti.com/opticalnetwork
Security	www.ti.com/security
Telephony	www.ti.com/telephony
Video & Imaging	www.ti.com/video
Wireless	www.ti.com/wireless

Mailing Address: Texas Instruments, Post Office Box 655303, Dallas, Texas 75265
Copyright © 2009, Texas Instruments Incorporated