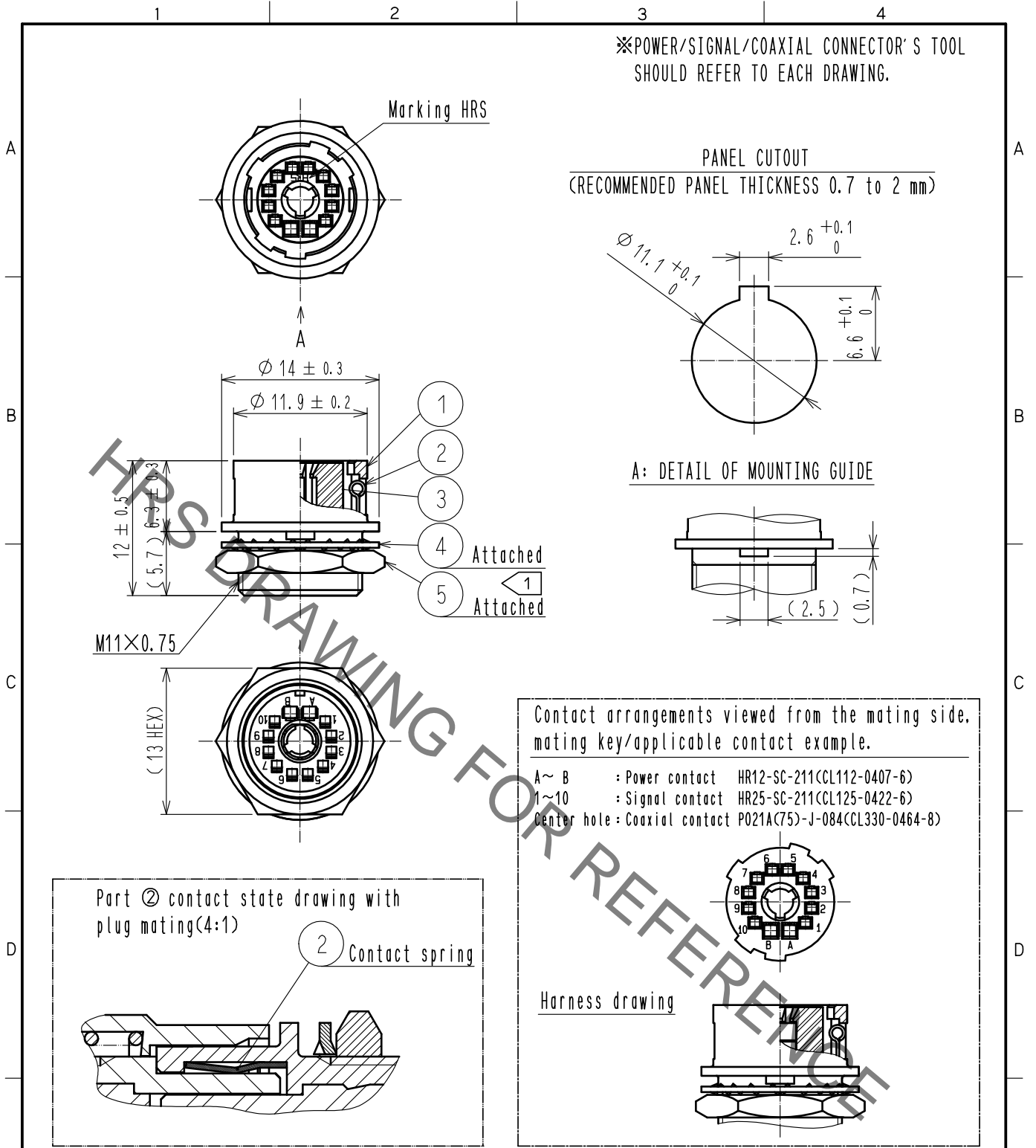


Aug. 1. 2022 Copyright 2022 HIROSE ELECTRIC CO., LTD. All Rights Reserved.
In case of consideration for using Automotive equipment / device which demand high reliability, kindly contact our sales window correspondents.

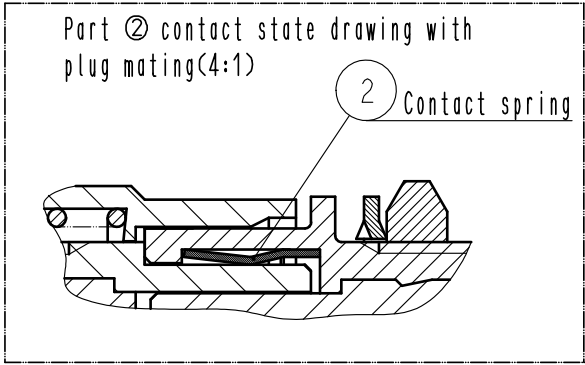
※POWER/SIGNAL/COAXIAL CONNECTOR'S TOOL SHOULD REFER TO EACH DRAWING.



Contact arrangements viewed from the mating side, mating key/applicable contact example.

A ~ B	: Power contact	HR12-SC-211(CL112-0407-6)
1 ~ 10	: Signal contact	HR25-SC-211(CL125-0422-6)
Center hole	: Coaxial contact	P021A(75)-J-084(CL330-0464-8)

Harness drawing



NOTE ① THE RECOMMENDED TIGHTENING FORCE OF REF. NO. ⑤ : 2N · m.
LOCTITE 243, HENKEL JAPAN OR EQUIVALENT IS RECOMMENDED TO PREVENT REF. NO. ⑤ FROM LOOSENING.

3	PBT	(BLACK) UL94V-0	5	BRASS	NICKEL PLATING
2	STAINLESS STEEL		4	PHOSPHOR BRONZE	NICKEL PLATING
1	ZINC ALLOY	NICKEL PLATING			
NO.	MATERIAL	FINISH . REMARKS	NO.	MATERIAL	FINISH . REMARKS
UNITS mm		SCALE 2 : 1		DESCRIPTION OF REVISIONS	DESIGNED
					CHECKED
					DATE
HRS HIROSE ELECTRIC CO., LTD.	APPROVED	·NK. NINOMIYA	20211228	DRAWING NO.	EDC-357120-00-00
	CHECKED	·NK. NINOMIYA	20211228	PART NO.	MRF20-10R-12SC/1RF(A)
	DESIGNED	·MT. KANEKO	20211228	CODE NO.	CL0313-0741-0-00
	DRAWN	·NK. OOSHIMA	20211224		