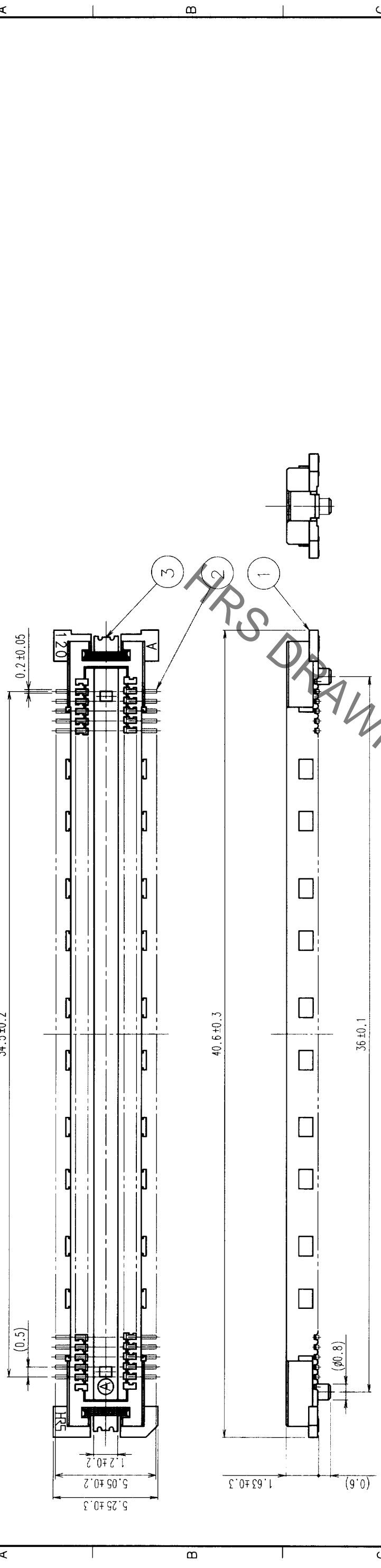
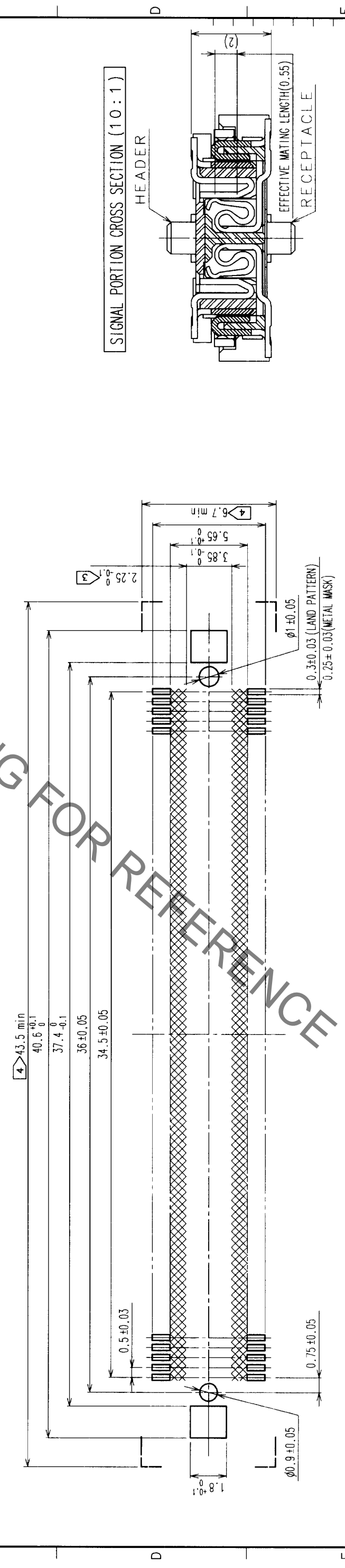


COUNT	DESCRIPTION OF REVISIONS	BY	CHKD	DATE	COUNT	DESCRIPTION OF REVISIONS	BY	CHKD	DATE
△					△				
△					△				
△					△				



RECOMMENDED LAND PATTERN DIMENSION OF PCB



2	COPPER ALLOY	CONTACT AREA: GOLD (0.1µm) OVER NICKEL
1	LCP	LEAD: GOLD FLASH OVER NICKEL
NO.	MATERIAL	BEIGE UL94V-0
CODE NO. (OLD)	FINISH, REMARKS	CL
	DRAWN	Mitsuhama, M. Sakida
	DESIGNED	Mitsuhama, M. Sakida
	CHECKED	J. Yoshimura
	APPROVED	J. Yoshimura
	RELEASED	J. Yoshimura
	DATE	99.10.27
	DATE	99.10.28
	DATE	99.10.28

2	COPPER ALLOY	CONTACT AREA: GOLD (0.1µm) OVER NICKEL
1	LCP	LEAD: GOLD FLASH OVER NICKEL
NO.	MATERIAL	BEIGE UL94V-0
CODE NO. (OLD)	FINISH, REMARKS	CL
	DRAWN	Mitsuhama, M. Sakida
	DESIGNED	Mitsuhama, M. Sakida
	CHECKED	J. Yoshimura
	APPROVED	J. Yoshimura
	RELEASED	J. Yoshimura
	DATE	99.10.27
	DATE	99.10.28
	DATE	99.10.28

DRAWING NO.	EDC3-152103-02
PART NO.	FX11LA-140P-SV (22)
SCALE	5 : 1
UNITS	mm
CODE NO.	CL573-0045-0-22

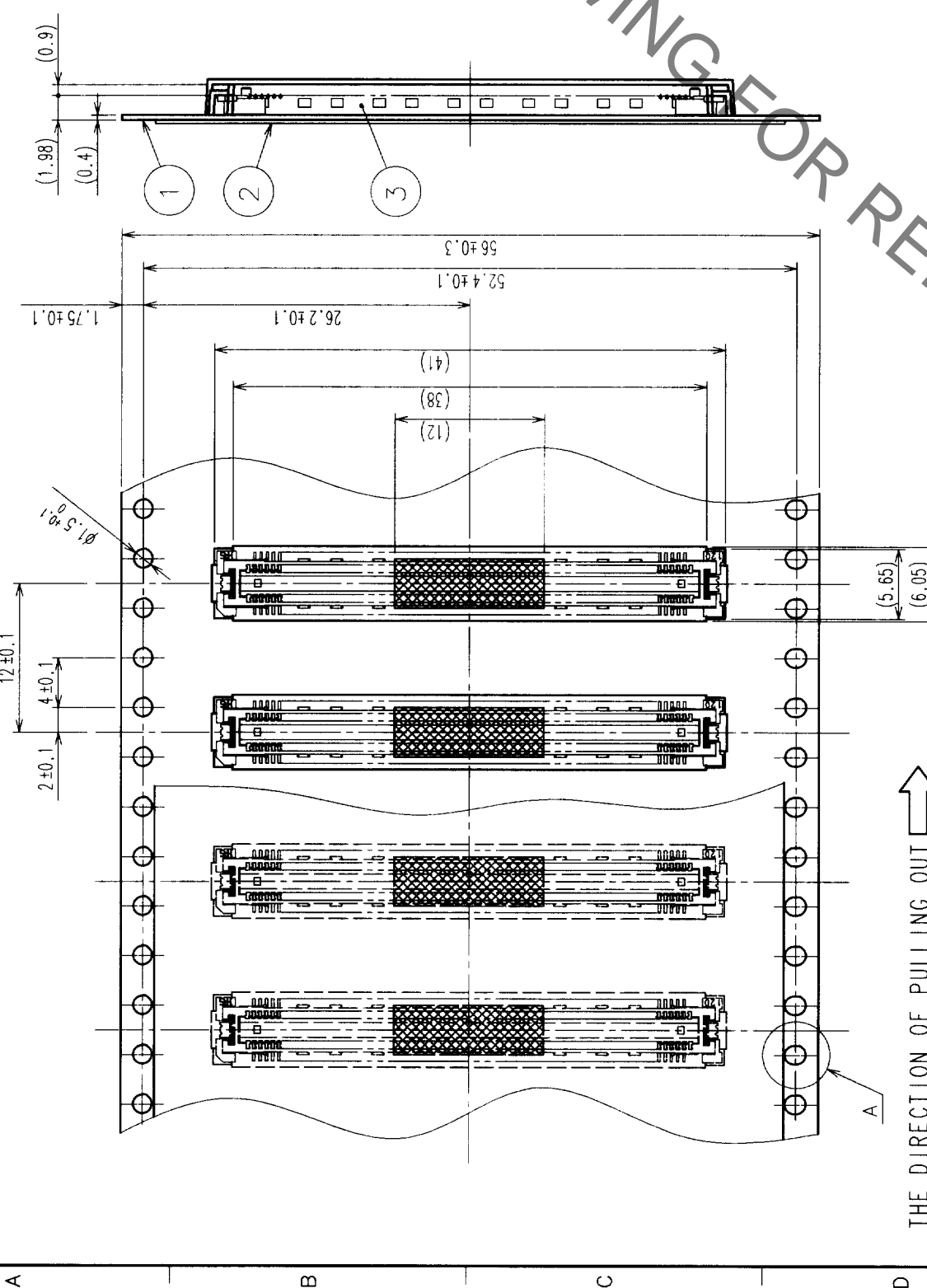
TO	
PCK	

- NOTES
- SMT LEAD-COPLANARITY: 0.1 MAX.
 - THIS PRODUCT HAS NO POLARITY TO PATTERN FOR MOUNTING.
 - MAKE SURE WIDTH OF PATTERN IS WITHIN THAT OF LAND, OR LEAD MAY TOUCH PATTERN. (THIS APPLIES TO HATCHED AREA.)
 - DO NOT MOUNT OTHER DEVICES ONTO [] AREA, OR MATING PAIR CANNOT BE MATED.
 - TO BE EMBOSSED CARRIER TAPED AS SPECIFIED IN SHEET 2.

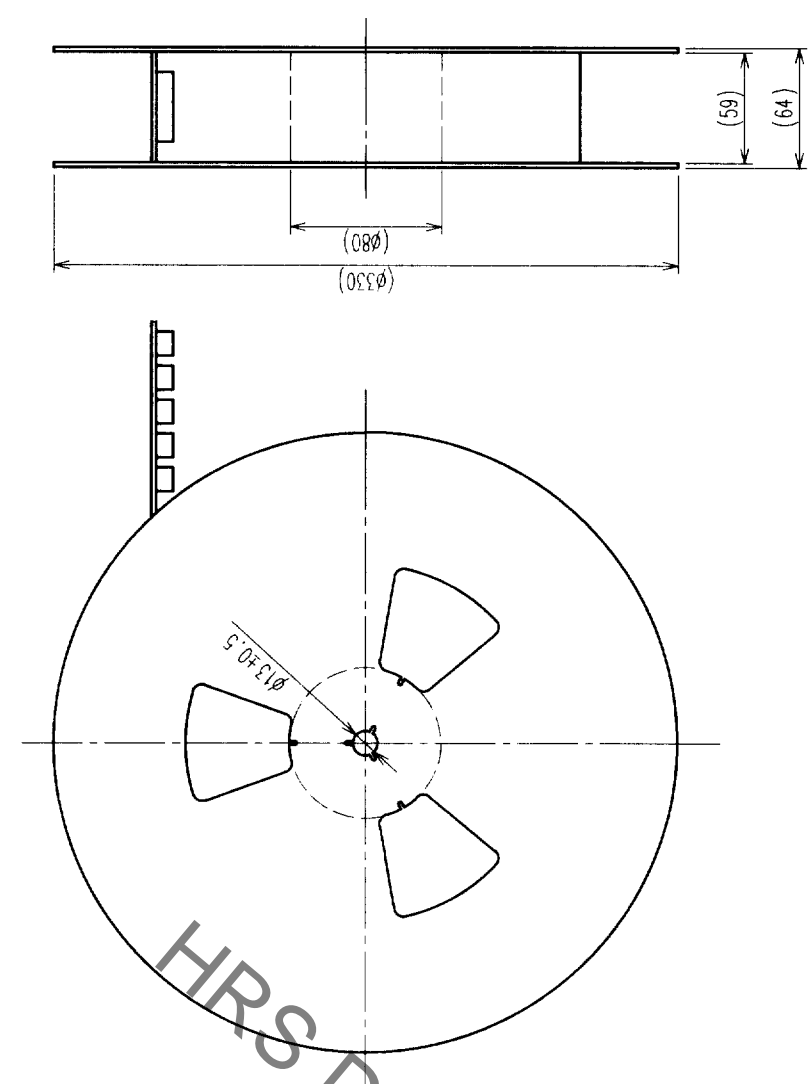
In case of consideration for using Automotive equipment / device which demand high reliability, kindly contact our sales window correspondents.

Aug.1.2022 Copyright 2022 HIROSE ELECTRIC CO., LTD. All Rights Reserved.

COUNT	DESCRIPTION OF REVISIONS	BY	CHKD	DATE	COUNT	DESCRIPTION OF REVISIONS	BY	CHKD	DATE
△									
△									
△									

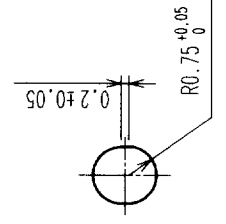


REELED DIMENSION (Free)

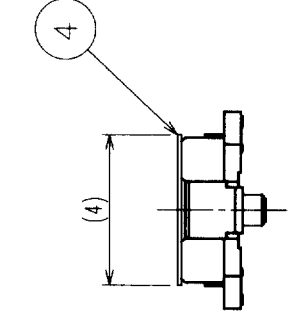


- NOTES
- 1 REEL:1000 CONNECTORS.
 - 2 MINIMUM 10 COMPARTMENTS FROM BOTH REEL ENDS REMAIN EMPTY.
 - 3 THIS PRODUCT HAS NO POLARITY TO TAPE AND REEL PACKAGING.

A (5:1)



DETAIL FOR VACUUM PICKUP (5:1)



2	PET	TOP COVER TAPE	4	POLYIMIDE	(TAPE FOR VACUUM PICKUP)
1	PS	EMBOSSED CARRIER TAPE	3	(CONNECTOR)	
NO.	MATERIAL	FINISH, REMARKS	NO.	MATERIAL	FINISH, REMARKS
CODE NO. (OLD) CL DRAWING FOR PACKING DRAWN: <i>M. Sakoda</i> CHECKED: <i>M. Sakoda</i> DESIGNED: <i>M. Sakoda</i> APPROVED: <i>J. Yoshimura</i> DATE: 99.10.27 PART NO. FX11LA-140P-SV (22) DRAWING NO. EDC3-152103-02 SCALE 2:1 UNITS ITT					
CODE NO. (NEW) CL573-0045-0-22 HIROSE ELECTRIC CO., LTD					

TO	
PCK	