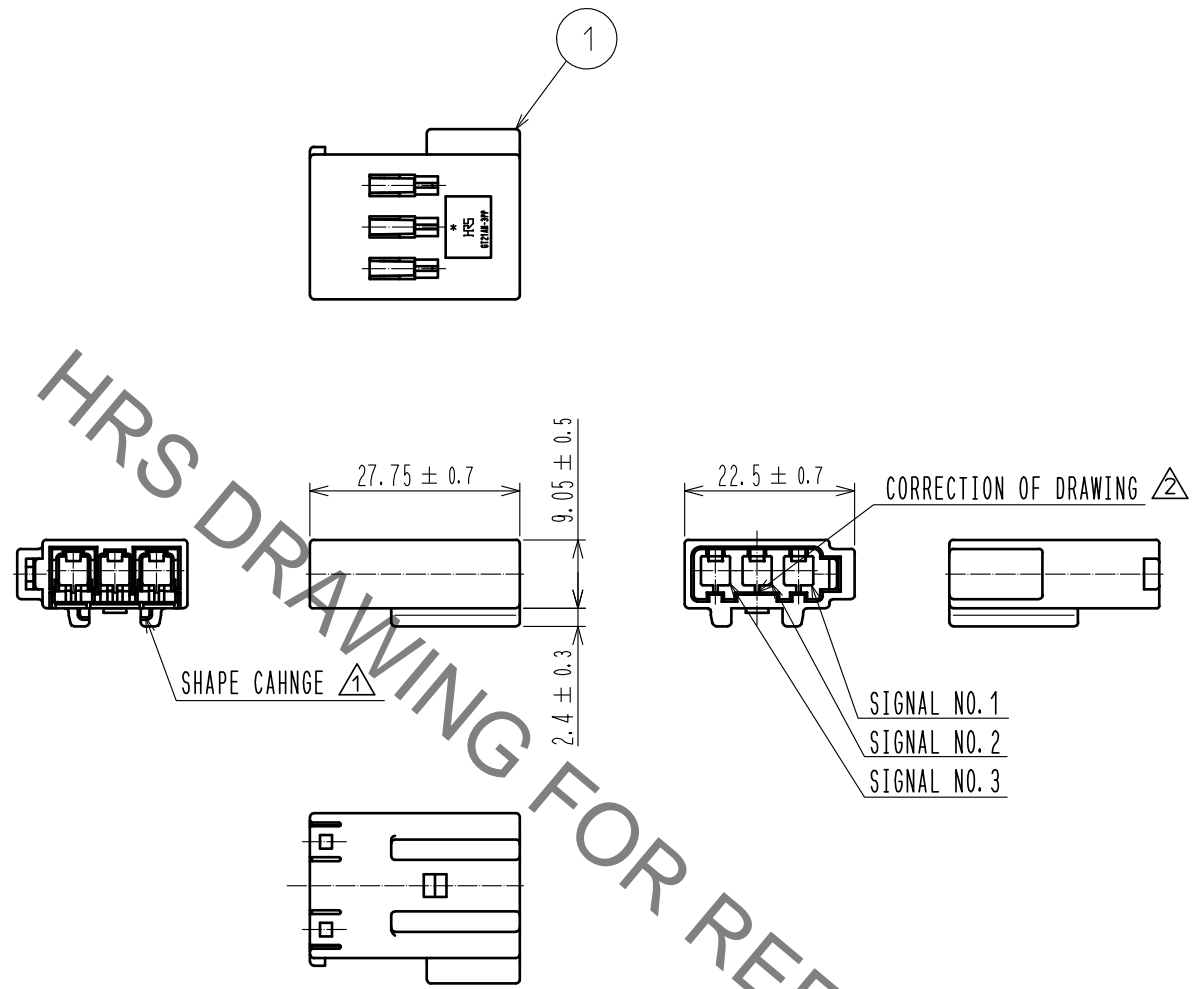
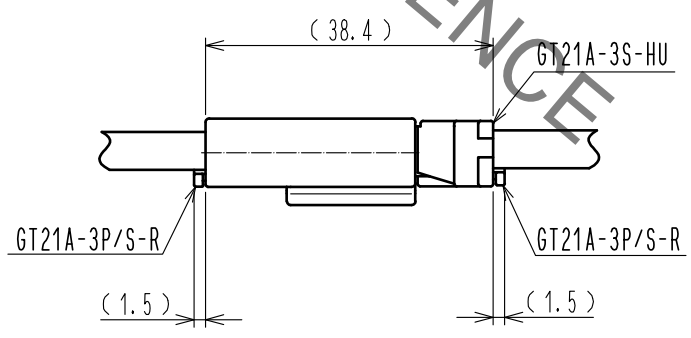


Aug. 1.2022 Copyright 2022 HIROSE ELECTRIC CO., LTD. All Rights Reserved.
 In case of consideration for using Automotive equipment / device which demand high reliability, kindly contact our sales window correspondents.

ELV. RoHS COMPLIANT



SIGNAL NO.	MAX CABLE SIZE
1	φ 5.2
2	φ 3.1
3	φ 5.2



MATED CONNECTORS

1	PBT	UL94HB, LIGHT GRAY					
NO.	MATERIAL	FINISH .	REMARKS				
UNITS mm		SCALE 1 : 1	COUNT 1	DESCRIPTION OF REVISIONS DIS-T-00001938	DESIGNED MH. YAMAGUCHI	CHECKED KI. HIROKAWA	DATE 17. 03. 16
HRS HIROSE ELECTRIC CO., LTD.	APPROVED	AR. SHIRAI	11. 12. 16	DRAWING NO. EDC4-168688-00			
	CHECKED	MO. OKADA	11. 12. 16	PART NO. GT21AN-3PP-HU			
	DESIGNED	MH. YAMAGUCHI	11. 09. 30	CODE NO. CL771-0037-5-00			1
	DRAWN	MH. YAMAGUCHI	11. 09. 30				1