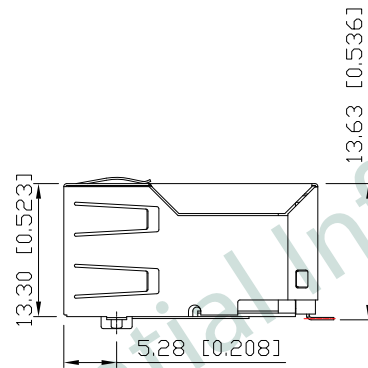
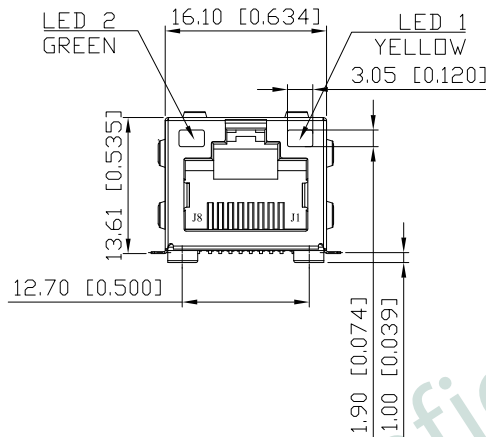
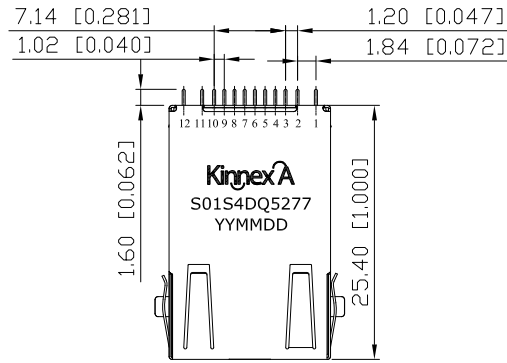
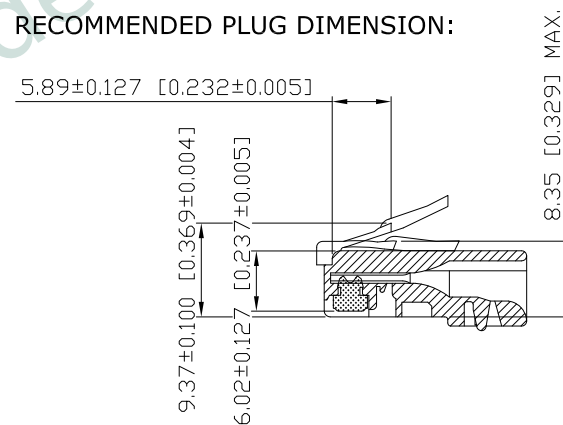


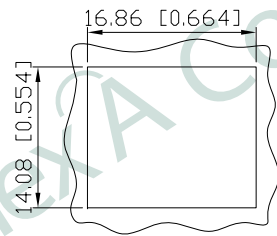
1. MECHANICAL DIMENSIONS :



RECOMMENDED PLUG DIMENSION:



RECOMMENDED
PANEL CUTOUT DIMENSION



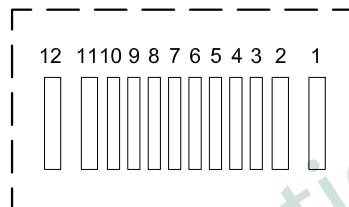
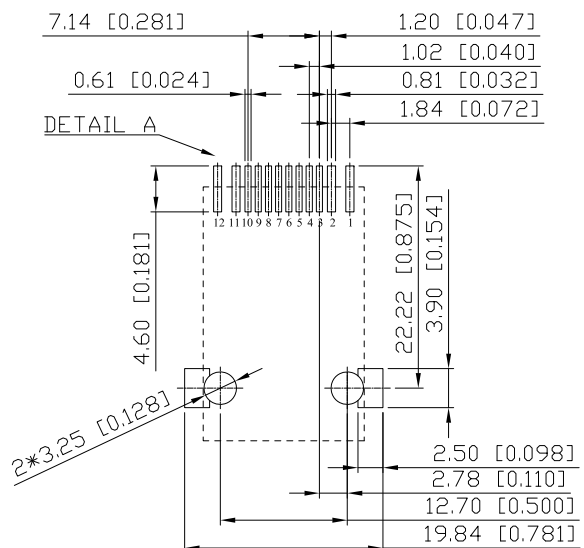
REV.	DATE	DESCRIPTION
01	Nov. 19, '20	1st RELEASE

NOTES:

- MATERIAL:
HOUSING: HIGH THERMOPLASTIC, UL94V-0, BLACK
CONTACTS: T=0.30mm PHOS-BRONZE,
6u" GOLD PLATING ON CONTACT AREA,
NICKEL UNDERPLATING OVERALL
SHIELD: T=0.20mm COPPER ALLOY, NICKEL PLATING
- OPERATING TEMPERATURE: 0°C~+70°C
- MATING FORCE: 4 POUNDS MAX.
UNMATING FORCE: 4 POUNDS MAX.
- DURABILITY: 750 MATING CYCLED MIN.
- CAVITY CONFORMS TO FCC RULES
AND REGULATIONS PART 68, SUBPART F.
- UNSPECIFIED TOLERANCE: .XX ±0.25[0.010]
.X ±0.30[0.012]

PART NO		KRS-01S-4-DQ5-277-XXX		
TITLE	RJ45, W/ 10/100 TRANSFORMER, W/LED, SHIELDED, SMT TYPE			
REV : 01				
UNIT	DRAWN	CHKD	DATE	SHEET
mm[inch]	CINDY	VINCENT	Nov. 19, '20	1 of 5

2.PCB LAYOUT :



P#	DEFINITION
P1	RIGHT YE+
P2	RIGHT YE-
P3	TD+
P4	TD-
P5	CT
P6	CT
P7	RD+
P8	RD-
P9	NC
P10	GND
P11	LEFT GR-
P12	LEFT GR+

SUGGESTED PCB LAYOUT
(TOP VIEW)

DIMENSIONAL TOLERANCE: .XX ±0.08[0.003]

KRS-01S-4-DQ5-277-XXX

PRODUCT SERIES
KRS: SMT TYPE

MECHANICAL TYPE
01S: KRS 1 PORT, LENGTH=25.4mm

LED COLOR OPTION

CIRCUITY TYPE

LED POLARITY
2: +-, -+

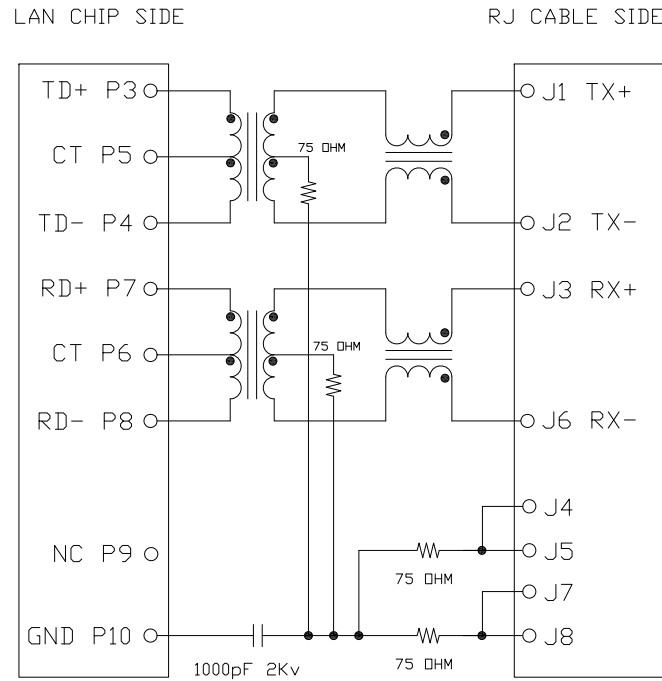
SHIELDED TYPE
7: EMI FINGER ON ALL SIDE

SPECIAL CODE
7: CONTACT GOLD PLATING 6u"

CUSTOMER CODE

PART NO KRS-01S-4-DQ5-277-XXX				
TITLE	RJ45, W/ 10/100 TRANSFORMER, W/LED, SHIELDED, SMT TYPE			
REV : 01				
UNIT	DRAWN	CHKD	DATE	SHEET
mm[inch]	CINDY	VINCENT	Nov. 19, '20	2 of 5

3. SCHEMATIC:



COLOR	VF(V) @20mA		IV(mcd) @20mA	IF(mA)	PEAK WAVE LENGTH λP(nm) @20mA
	TYP	MAX	TYP	TYP	TYP
YELLOW	2.2	2.6	15	20	588
GREEN	2.2	2.6	10	20	570

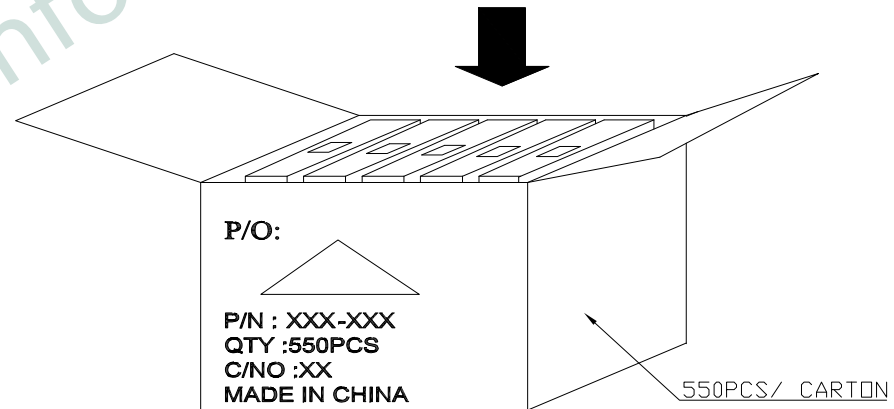
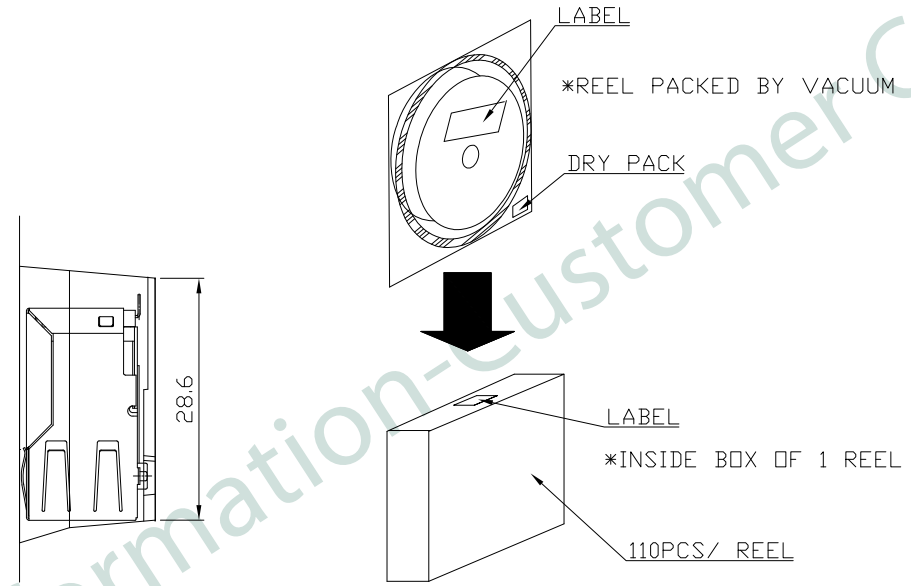
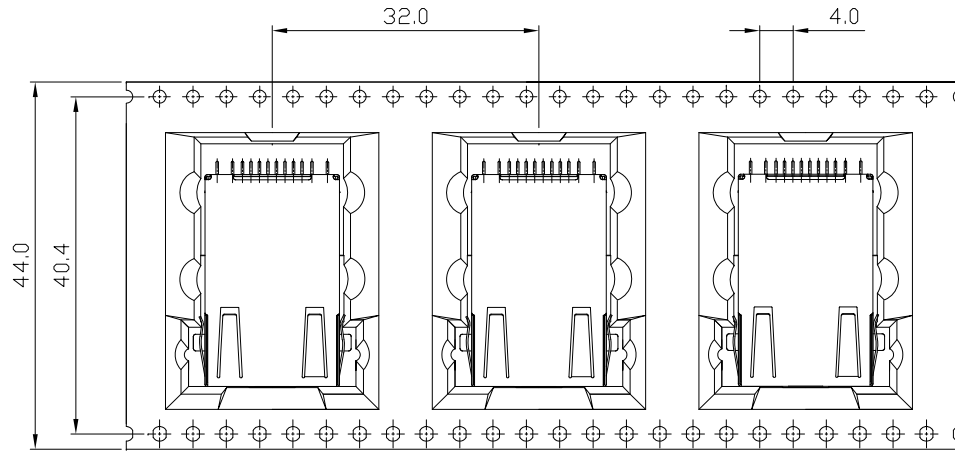
4. ELECTRICAL CHARACTERISTICS :

TEST NOTES:($25 \pm 5^\circ\text{C}$)

- TR:
INPUT TO OUTPUT=1:1±3%
- QCL: (<100KHz, 100mV, 8mA, DC Bias)
350uH MINIMUM
- DCR:
EVERY RJ PAIR=1.2 Ω MAXIMUM
- INSERTION LOSS:
-1.0dB MAXIMUM AT 0.3MHz TO 100MHz
- RETURN LOSS:
-20dB MINIMUM AT 1MHz TO 30MHz
-15dB MINIMUM AT 30MHz TO 60MHz
-10dB MINIMUM AT 60MHz TO 80MHz
- CROSS TALK:
-30dB MINIMUM AT 1MHz TO 100MHz
- CM TO CM MODE REJECTION:
-30dB MINIMUM AT 1MHz TO 100MHz
- HIPOT:
INPUT(RJ SIDE) TO SHIELDING:
2250 VDC/60SEC

PART NO		KRS-01S-4-DQ5-277-XXX		
TITLE	RJ45, W/ 10/100 TRANSFORMER, W/LED, SHIELDED, SMT TYPE			
REV : 01				
UNIT	DRAWN	CHKD	DATE	SHEET
mm[inch]	CINDY	VINCENT	Nov. 19, '20	3 of 5

5. PACKING SPECIFICATION:

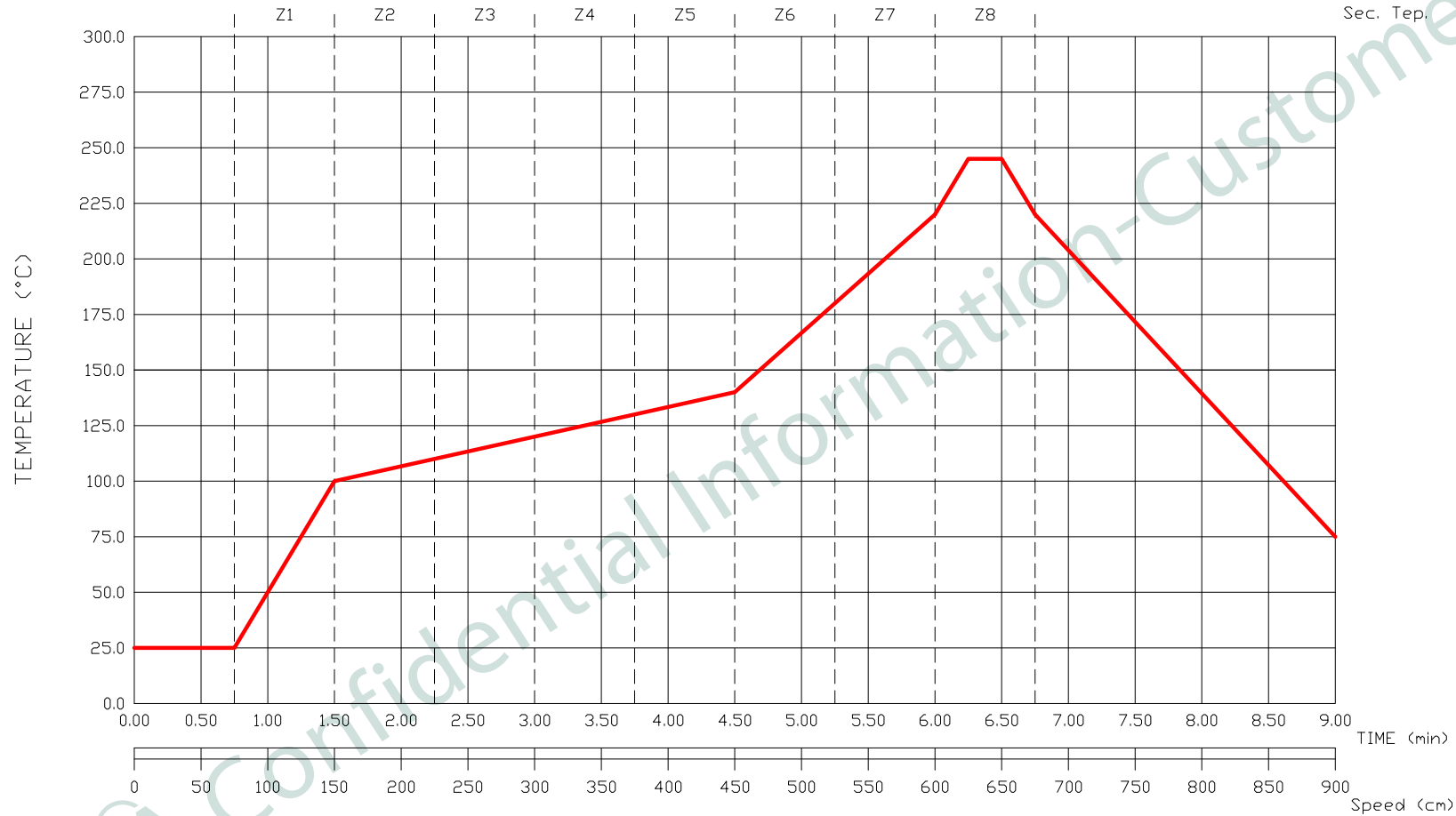


PACKING:

- 1. Tape & Reel : 110pcs / Reel , 550pcs / Carton
- 2. Dry Pack : 1pcs
Product Description:(5g Silica Gel Desiccant)
PH: 4-8
Package Materials: Paper(Length 6.5±1cm , Width 5±1cm)
- 3. Reel Packed By Vacuum

PART NO KRS-01S-4-DQ5-277-XXX	
TITLE	RJ45, W/ 10/100 TRANSFORMER, W/LED, SHIELDED, SMT TYPE
REV : 01	
UNIT	DRAWN CHKD DATE SHEET
mm[inch]	CINDY VINCENT Nov. 19, '20 4 of 5

6. PROFILE OF REFLOW:



PART NO KRS-01S-4-DQ5-277-XXX				
TITLE	RJ45, W/ 10/100 TRANSFORMER, W/LED, SHIELDED, SMT TYPE			
REV : 01				
UNIT	DRAWN	CHKD	DATE	SHEET
mm[inch]	CINDY	VINCENT	Nov. 19, '20	5 of 5

DWG NO KRS-01S-4-DQ5-277-XXX

KinnexA, INC. 8F, No. 172, CHENG TEH ROAD SEC. 4, TAIPEI 11167, TAIWAN

Connected by

PRELIMINARY RELEASE SUBJECT TO CHANGE

※ THIS DRAWING IS A CONTROLLED DOCUMENT ※

RoHS Compliant