



# W83195AR-We

## 200MHZ 3-DIMM CLOCK FOR WHITNEY CHIPSET

### 1.0 GENERAL DESCRIPTION

The W83195AR-We is a Clock Synthesizer for Intel Solano chipset. W83195AR-We provides all clocks required for high-speed RISC or CISC microprocessor and also provides 64 different frequencies of CPU, SDRAM, PCI, 3V66, IOAPIC clocks frequency setting. All clocks are externally selectable with smooth transitions.

The W83195AR-We provides I<sup>2</sup>C serial bus interface to program the registers to enable or disable each clock outputs and provides 0.5% and 0.75% center type spread spectrum to reduce EMI.

The W83195AR-We accepts a 14.318 MHz reference crystal as its input and runs on a 3.3V supply. High drive PCI and SDRAM CLOCK outputs typically provide greater than 1 V /ns slew rate into 30 pF loads. CPU CLOCK outputs typically provide better than 1 V /ns slew rate into 20 pF loads as maintaining 50± 5% duty cycle. The fixed frequency outputs as REF, 24MHz, and 48 MHz provide better than 0.5V /ns slew rate.

### 2.0 PRODUCT FEATURES

- 2 CPU clocks
- 12 SDRAM clocks for 3 DIMMs
- 8 PCI synchronous clocks.
- Optional single or mixed supply:  
(VddR = VddP=VddS = Vdd48 = Vdd3 = 3.3V, VddLAPIC=VddLCPU=2.5V)
- Skew form CPU to PCI clock -1 to 4 ns, center 2.6 ns
- Smooth frequency switch with selections from 66.8 to 200 MHz
- I<sup>2</sup>C 2-Wire serial interface and I<sup>2</sup>C read back
- 0.5% and 0.75% center type spread spectrum
- Programmable registers to enable/stop each output and select modes  
(mode as Tri-state or Normal )
- Two 48 MHz pins for USB
- 24 MHz for super I/O
- 56-pin SSOP package

PRELIMINARY

## 3.0 PIN CONFIGURATION

REFX2/*FS3	<input type="checkbox"/>	1	●	56	<input type="checkbox"/>	VddLAPIC
VddR	<input type="checkbox"/>	2		55	<input type="checkbox"/>	IOAPIC
Xin	<input type="checkbox"/>	3		54	<input type="checkbox"/>	VddLCPU
Xout	<input type="checkbox"/>	4		53	<input type="checkbox"/>	CPUCLK0
Vss	<input type="checkbox"/>	5		52	<input type="checkbox"/>	CPUCLK1
Vdd3	<input type="checkbox"/>	6		51	<input type="checkbox"/>	VssC
3V66-0	<input type="checkbox"/>	7		50	<input type="checkbox"/>	VddS
3V66-1	<input type="checkbox"/>	8		49	<input type="checkbox"/>	SDRAM 0
Vss3	<input type="checkbox"/>	9		48	<input type="checkbox"/>	SDRAM 1
PCICLK0/*FS0	<input type="checkbox"/>	10		47	<input type="checkbox"/>	SDRAM 2
PCICLK1/FS1#	<input type="checkbox"/>	11		46	<input type="checkbox"/>	VssS
PCICLK2/*FS2	<input type="checkbox"/>	12		45	<input type="checkbox"/>	SDRAM 3
VssP	<input type="checkbox"/>	13		44	<input type="checkbox"/>	SDRAM 4
PCICLK3/*APIC_SEL	<input type="checkbox"/>	14		43	<input type="checkbox"/>	SDRAM 5
PCICLK4	<input type="checkbox"/>	15		42	<input type="checkbox"/>	VddS
VddP	<input type="checkbox"/>	16		41	<input type="checkbox"/>	SDRAM 6
PCICLK5	<input type="checkbox"/>	17		40	<input type="checkbox"/>	SDRAM 7
PCICLK6	<input type="checkbox"/>	18		39	<input type="checkbox"/>	SDRAM 8
PCICLK7	<input type="checkbox"/>	19		38	<input type="checkbox"/>	VssS
Vss48	<input type="checkbox"/>	20		37	<input type="checkbox"/>	PD#
48MHz_0	<input type="checkbox"/>	21		36	<input type="checkbox"/>	*SDCLK
48MHz_1/FS4#	<input type="checkbox"/>	22		35	<input type="checkbox"/>	VddS
SIO_SEL*/24_48MHz	<input type="checkbox"/>	23		34	<input type="checkbox"/>	VssS
Vdd48	<input type="checkbox"/>	24		33	<input type="checkbox"/>	*SDATA
<b>VddS</b>	<input type="checkbox"/>	<b>25</b>		<b>32</b>	<input type="checkbox"/>	<b>VddS</b>
<b>SDRAM 12</b>	<input type="checkbox"/>	<b>26</b>		<b>31</b>	<input type="checkbox"/>	<b>SDRAM 9</b>
<b>SDRAM 11</b>	<input type="checkbox"/>	<b>27</b>		<b>30</b>	<input type="checkbox"/>	<b>SDRAM 10</b>
<b>VssS</b>	<input type="checkbox"/>	<b>28</b>		<b>29</b>	<input type="checkbox"/>	<b>VssS</b>



PRELIMINARY

## 4.0 FREQUENCY SELECTION BY HARDWARE

SSEL4	SSEL3	SSEL2	SSEL1	SSEL0	CPU (MHz)	SDRAM (MHz)	CPU /SDRAM	3V66 (MHz)	PCI(MHz)	IOAPIC (MHz) APIC_SEL=1	IOAPIC (MHz) APIC_SEL=0
0	0	0	0	0	83.3	124.95	2/3	83.30	41.65	20.83	41.65
0	0	0	0	1	90	90	1	60.00	30.00	15.00	30.00
0	0	0	1	0	75	112.5	2/3	75.00	37.50	18.75	37.50
0	0	0	1	1	72	108	2/3	72.00	36.00	18.00	36.00
0	0	1	0	0	89.07	133.6	2/3	89.07	44.53	22.27	44.53
0	0	1	0	1	95.25	95.25	1	63.50	31.75	15.88	31.75
0	0	1	1	0	121	121	1	80.67	40.33	20.17	40.33
0	0	1	1	1	124	124	1	82.67	41.33	20.67	41.33
0	1	0	0	0	119	119	1	79.33	39.67	19.83	39.67
0	1	0	0	1	114	114	1	76.00	38.00	19.00	38.00
0	1	0	1	0	110	110	1	73.33	36.67	18.33	36.67
0	1	0	1	1	105	105	1	70.00	35.00	17.50	35.00
0	1	1	0	0	66.8	100.2	2/3	66.80	33.40	16.70	33.40
0	1	1	0	1	100.2	100.2	1	66.80	33.40	16.70	33.40
0	1	1	1	0	133.6	133.6	1	66.80	33.40	16.70	33.40
0	1	1	1	1	133.6	100.2	4/3	66.80	33.40	16.70	33.40
1	0	0	0	0	135	101.25	4/3	67.50	33.75	16.88	33.75
1	0	0	0	1	125	125	1	83.33	41.67	20.83	41.67
1	0	0	1	0	127	127	1	84.67	42.33	21.17	42.33
1	0	0	1	1	130	130	1	86.67	43.33	21.67	43.33
1	0	1	0	0	140	140	1	70.00	35.00	17.50	35.00
1	0	1	0	1	136	136	1	68.00	34.00	17.00	34.00
1	0	1	1	0	166	166.00	1	83.00	41.50	20.75	41.50
1	0	1	1	1	155	155	1	77.50	38.75	19.38	38.75
1	1	0	0	0	150	112.5	4/3	75.00	37.50	18.75	37.50
1	1	0	0	1	117	117	1	78.00	39.00	19.50	39.00
1	1	0	1	0	107	107	1	71.33	35.67	17.83	35.67
1	1	0	1	1	100.9	100.9	1	67.27	33.63	16.82	33.63
1	1	1	0	0	145	108.75	4/3	72.50	36.25	18.13	36.25
1	1	1	0	1	140	105	4/3	70.00	35.00	17.50	35.00
1	1	1	1	0	138	103.5	4/3	69.00	34.50	17.25	34.50
1	1	1	1	1	137	102.75	4/3	68.50	34.25	17.13	34.25



**PRELIMINARY**

## 5.0 SERIAL CONTROL 0REGISTERS

The Pin column lists the affected pin number and the @PowerUp column gives the state at true power up. Registers are set to the values shown only on true power up. "Command Code" byte and "Byte Count" byte must be sent following the acknowledge of the Address Byte. Although the data (bits) in these two bytes are considered "don't care", they must be sent and will be acknowledge. After that, the below described sequence (Register 0, Register 1, Register 2, ....) will be valid and acknowledged.

### Frequency Table Setting by I2C (SEL5 ~ SEL0)

SSE L5	SS EL4	SS EL3	SS EL2	SS EL1	SS EL0	CPU (MHz)	SDRAM (MHz)	CPU/S DRAM	3V66 (MHz)	PCI(M Hz)	IOAPIC (MHz) APIC_SEL=1	IOAPIC (MHz) APIC_SEL=0
0	0	0	0	0	0	83.3	124.95	2/3	83.30	41.65	20.83	41.65
0	0	0	0	0	1	90	90	1	60.00	30.00	15.00	30.00
0	0	0	0	1	0	75	112.5	2/3	75.00	37.50	18.75	37.50
0	0	0	0	1	1	72	108	2/3	72.00	36.00	18.00	36.00
0	0	0	1	0	0	89.07	133.6	2/3	89.07	44.53	22.27	44.53
0	0	0	1	0	1	95.25	95.25	1	63.50	31.75	15.88	31.75
0	0	0	1	1	0	121	121	1	80.67	40.33	20.17	40.33
0	0	0	1	1	1	124	124	1	82.67	41.33	20.67	41.33
0	0	1	0	0	0	119	119	1	79.33	39.67	19.83	39.67
0	0	1	0	0	1	114	114	1	76.00	38.00	19.00	38.00
0	0	1	0	1	0	110	110	1	73.33	36.67	18.33	36.67
0	0	1	0	1	1	105	105	1	70.00	35.00	17.50	35.00
0	0	1	1	0	0	66.8	100.2	2/3	66.80	33.40	16.70	33.40
0	0	1	1	0	1	100.2	100.2	1	66.80	33.40	16.70	33.40
0	0	1	1	1	0	133.6	133.6	1	66.80	33.40	16.70	33.40
0	0	1	1	1	1	133.6	100.2	4/3	66.80	33.40	16.70	33.40
0	1	0	0	0	0	135	101.25	4/3	67.50	33.75	16.88	33.75
0	1	0	0	0	1	125	125	1	83.33	41.67	20.83	41.67
0	1	0	0	1	0	127	127	1	84.67	42.33	21.17	42.33
0	1	0	0	1	1	130	130	1	86.67	43.33	21.67	43.33
0	1	0	1	0	0	140	140	1	70.00	35.00	17.50	35.00
0	1	0	1	0	1	136	136	1	68.00	34.00	17.00	34.00
0	1	0	1	1	0	166	166.00	1	83.00	41.50	20.75	41.50
0	1	0	1	1	1	155	155	1	77.50	38.75	19.38	38.75
0	1	1	0	0	0	150	112.5	4/3	75.00	37.50	18.75	37.50
0	1	1	0	0	1	117	117	1	78.00	39.00	19.50	39.00
0	1	1	0	1	0	107	107	1	71.33	35.67	17.83	35.67
0	1	1	0	1	1	100.9	100.9	1	67.27	33.63	16.82	33.63
0	1	1	1	0	0	145	108.75	4/3	72.50	36.25	18.13	36.25
0	1	1	1	0	1	140	105	4/3	70.00	35.00	17.50	35.00
0	1	1	1	1	0	138	103.5	4/3	69.00	34.50	17.25	34.50



# W83195AR-We

## PRELIMINARY

0	1	1	1	1	1	137	102.75	4/3	68.50	34.25	17.13	34.25
---	---	---	---	---	---	-----	--------	-----	-------	-------	-------	-------

SSE L5	SS EL4	SS EL3	SS EL2	SS EL1	SS EL0	CPU (MHz)	SDRAM (MHz)	CPU/S DRAM	3V66 (MHz)	PCI(M Hz)	IOAPIC (MHz) APIC_SEL=1	IOAPIC (MHz) APIC_SEL=0
1	0	0	0	0	0	136	102.00	4/3	68.00	34.00	17.00	34.00
1	0	0	0	0	1	138	138.00	1	69.00	34.50	17.25	34.50
1	0	0	0	1	0	139	104.25	4/3	69.50	34.75	17.38	34.75
1	0	0	0	1	1	141	141.00	1	70.50	35.25	17.63	35.25
1	0	0	1	0	0	142	142.00	1	71.00	35.50	17.75	35.50
1	0	0	1	0	1	142	106.50	4/3	71.00	35.50	17.75	35.50
1	0	0	1	1	0	143	143.00	1	71.50	35.75	17.88	35.75
1	0	0	1	1	1	143	107.25	4/3	71.50	35.75	17.88	35.75
1	0	1	0	0	0	144	144.00	1	72.00	36.00	18.00	36.00
1	0	1	0	0	1	144	108.00	4/3	72.00	36.00	18.00	36.00
1	0	1	0	1	0	146	146	1	73.00	36.50	18.25	36.50
1	0	1	0	1	1	146	109.50	4/3	73.00	36.50	18.25	36.50
1	0	1	1	0	0	147	147	1	73.50	36.75	18.38	36.75
1	0	1	1	0	1	147	110.25	4/3	73.50	36.75	18.38	36.75
1	0	1	1	1	0	148	148.00	1	74.00	37.00	18.50	37.00
1	0	1	1	1	1	148	111.00	4/3	74.00	37.00	18.50	37.00
1	1	0	0	0	0	149	111.75	4/3	74.50	37.25	18.63	37.25
1	1	0	0	0	1	152	152.00	1	76.00	38.00	19.00	38.00
1	1	0	0	1	0	153	114.75	4/3	76.50	38.25	19.13	38.25
1	1	0	0	1	1	156	156.00	1	78.00	39.00	19.50	39.00
1	1	0	1	0	0	157	117.75	4/3	78.50	39.25	19.63	39.25
1	1	0	1	0	1	158	158.00	1	79.00	39.50	19.75	39.50
1	1	0	1	1	0	159	119.25	4/3	79.50	39.75	19.88	39.75
1	1	0	1	1	1	160	160.00	1	80.00	40.00	20.00	40.00
1	1	1	0	0	0	162	121.5	4/3	81.00	40.50	20.25	40.50
1	1	1	0	0	1	164	164.00	1	82.00	41.00	20.50	41.00
1	1	1	0	1	0	170	170.00	1	85.00	42.50	21.25	42.50
1	1	1	0	1	1	175	175	1	87.5	43.75	21.88	43.75
1	1	1	1	0	0	180	90	4/3	60	30	15	30
1	1	1	1	0	1	185	92.5	2	61.67	30.83	15.42	30.83
1	1	1	1	1	0	190	126.67	3/2	63.33	31.67	15.83	31.67



PRELIMINARY

1	1	1	1	1	1	200.4	133.60	3/2	66.80	33.40	16.70	33.40
---	---	---	---	---	---	-------	--------	-----	-------	-------	-------	-------

## 5.1 Register 0: Control Register

Bit	@PowerUp	Pin	Description
7	1	26	SDRAM12(Active / Inactive)
6	1	1	REF2X(Active / Inactive)
5	1	27	SDRAM11(Active / Inactive)
4	1	30	SDRAM10(Active / Inactive)
3	1	31	SDRAM9(Active / Inactive)
2	1	23	24/48MHz(Active / Inactive)
1	1	21,22	48MHz_0, 48MHz_1(Active / Inactive)
0	1	39	SDRAM8(Active / Inactive)

## 5.2 Register 1 : SDRAM Register (1 = Active, 0 = Inactive)

Bit	@PowerUp	Pin	Description
7	1	40	SDRAM7 (Active / Inactive)
6	1	41	SDRAM6 (Active / Inactive)
5	1	43	SDRAM5 (Active / Inactive)
4	1	44	SDRAM4 (Active / Inactive)
3	1	45	SDRAM3 (Active / Inactive)
2	1	47	SDRAM2 (Active / Inactive)
1	1	48	SDRAM1 (Active / Inactive)
0	1	49	SDRAM0 (Active / Inactive)

## 5.3 Register 2: PCI Clock Register (1 = Active, 0 = Inactive)

Bit	@PowerUp	Pin	Description
7	1	19	PCICLK7 (Active / Inactive)
6	1	18	PCICLK6 (Active / Inactive)
5	1	17	PCICLK5 (Active / Inactive)
4	1	15	PCICLK4 (Active / Inactive)
3	1	14	PCICLK3 (Active / Inactive)
2	1	13	PCICLK2 (Active / Inactive)

**PRELIMINARY**

1	1	11	PCICLK1 (Active / Inactive)
0	1	10	PCICLK0 (Active / Inactive)

#### 5.4 Register 3: CPU Clock Register (1 = Active, 0 = Inactive)

Bit	@PowerUp	Pin	Description
7	X	-	FS0#
6	1	7	3V66_0(Active / Inactive)
5	1	8	3V66_1(Active / Inactive)
4	X	-	FS1#
3	1	55	IOAPIC(Active/ Inactive)
2	1	44	CPUCLK1 (Active / Inactive)
1	1	43	CPUCLK0 (Active / Inactive)
0	X	-	FS2#

#### 5.5 Register 4: Control Register (1 = Active, 0 = Inactive)

Bit	@PowerUp	Pin	Description
7	0	-	SSEL3 (Frequency table selection by software via I <sup>2</sup> C )
6	0	-	SSEL2 ( Frequency table selection by software via I <sup>2</sup> C)
5	0	-	SSEL1 ( Frequency table selection by software via I <sup>2</sup> C)
4	0	-	SSEL0 ( Frequency table selection by software via I <sup>2</sup> C)
3	0	-	0 = Selection by hardware 1 = Selection by software I <sup>2</sup> C - Bit (1,2, 4:6)
2	0	-	SSEL4 (Frequency table selection by software via I <sup>2</sup> C )
1	0	-	SSEL5 (Frequency table selection by software via I <sup>2</sup> C )
0	X	-	APIC_SEL#

#### 5.6 Register 5: Control Register (1 = Active, 0 = Inactive)

Bit	@PowerUp	Pin	Description
7	0	-	0 = ±0.5% Center type Spread Spectrum Modulation 1 = ±0.75% Center type Spread Spectrum Modulation
6	1	-	SKEW2(SDRAM to CPU Skew programming bit)
5	0	-	SKEW1(SDRAM to CPU Skew programming bit)
4	0	-	SKEW0(SDRAM to CPU Skew programming bit)
3	X	-	FS3#



**PRELIMINARY**

2	<b>X</b>	-	<b>FS4#</b>
1	0	-	0 = Normal 1 = Spread Spectrum enabled
0	0	-	Reserved

**5.7 Register 6: Winbond Chip ID Register (Read Only)**

Bit	@PowerUp	Pin	Description
7	1	-	Winbond Chip ID
6	0	-	Winbond Chip ID
5	0	-	Winbond Chip ID
4	1	-	Winbond Chip ID
3	<b>1</b>	-	Winbond Chip ID
2	0	-	Winbond Chip ID
1	<b>0</b>	-	Winbond Chip ID
0	0	-	Winbond Chip ID

**5.8 Register 7: Winbond Chip ID Register (Read Only)**

Bit	@PowerUp	Pin	Description
7	<b>0</b>	-	<b>Winbond Chip ID</b>
6	<b>0</b>	-	<b>Winbond Chip ID</b>
5	<b>1</b>	-	<b>Winbond Chip ID</b>
4	<b>1</b>	-	<b>Winbond Chip ID</b>
3	<b>0</b>	-	<b>Winbond Chip ID</b>
2	<b>0</b>	-	<b>Winbond Version ID</b>
1	<b>0</b>	-	<b>Winbond Version ID</b>
0	<b>1</b>	-	<b>Winbond Version ID</b>

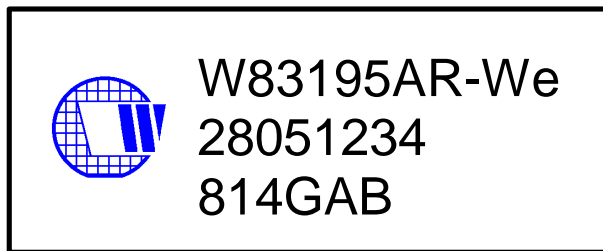


PRELIMINARY

## 6.0 ORDERING INFORMATION

Part Number	Package Type	Production Flow
W83195AR-We	56 PIN SSOP	Commercial, 0°C to +70°C

## 7.0 HOW TO READ THE TOP MARKING



1st line: Winbond logo and the type number: W83195AR-We

2nd line: Tracking code 2 8051234

2: wafers manufactured in Winbond FAB 2

8051234: wafer production series lot number

3rd line: Tracking code 814 G B B

814: packages made in '98, week 14

G: assembly house ID; O means OSE, G means GR

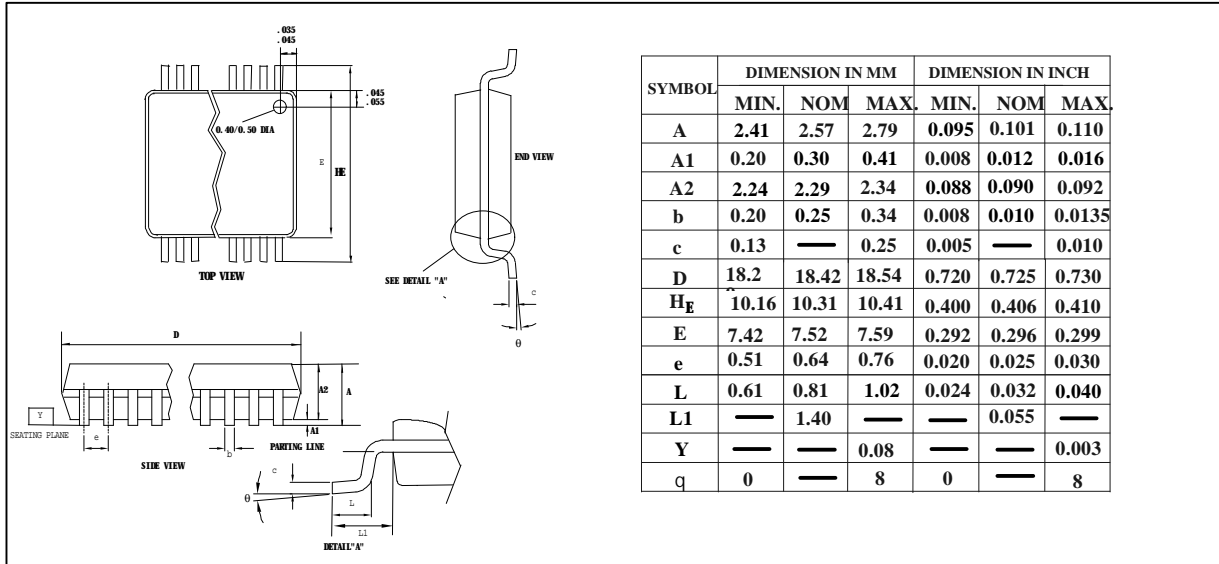
A: Internal use code

B: IC revision

All the trade marks of products and companies mentioned in this data sheet belong to their respective owners.

PRELIMINARY

## 8.0 PACKAGE DRAWING AND DIMENSIONS



**Headquarters**  
 No. 4, Creation Rd. III  
 Science-Based Industrial Park  
 Hsinchu, Taiwan  
 TEL: 886-35-770066  
 FAX: 886-35-789467  
 www: <http://www.winbond.com.tw/>

**Taipei Office**  
 11F, No. 115, Sec. 3, Min-Sheng East Rd.  
 Taipei, Taiwan  
 TEL: 886-2-7190505  
 FAX: 886-2-7197502  
 TLX: 16485 WINTPE

**Winbond Electronics (H.K.) Ltd.**  
 Rm. 803, World Trade Square, Tower II  
 123 Hoi Bun Rd., Kwun Tong  
 Kowloon, Hong Kong  
 TEL: 852-27516023-7  
 FAX: 852-27552064

**Winbond Electronics  
 (North America) Corp.**  
 2730 Orchard Parkway  
 San Jose, CA 95134 U.S.A.  
 TEL: 1-408-9436666  
 FAX: 1-408-9436668

Please note that all data and specifications are subject to change without notice. All the trade marks of products and companies mentioned in this data sheet belong to their respective owners.

These products are not designed for use in life support appliances, devices, or systems where malfunction of these products can reasonably be expected to result in personal injury. Winbond customers using or selling these products for use in such applications do so at their own risk and agree to fully indemnify Winbond for any damages resulting from such improper use or sale.