

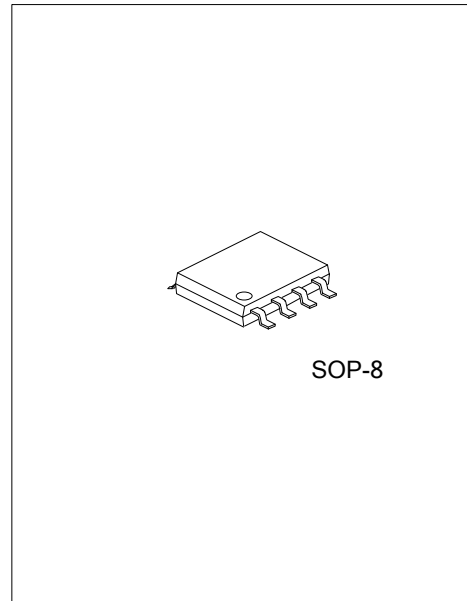


U74AVCH2T45

Advance

CMOS IC

2-BIT, 2-SUPPLY, BUS TRANSCEIVER WITH CONFIGURABLE LEVEL-SHIFTING AND TRANSLATION AND 3-STATE OUTPUTS



DESCRIPTION

This 2-bit non-inverting bus transceiver uses two separate configurable power-supply rails. The A ports are designed to track V_{CCA} and accepts any supply voltage from 1.2V to 3.6V. The B ports are designed to track V_{CCB} and accepts any supply voltage from 1.2V to 3.6V. This allows for universal low-voltage bidirectional translation and level-shifting between any of the 1.2V, 1.5V, 1.8V, 2.5V, and 3.3V voltage nodes.

The **U74AVCH2T45** is designed for asynchronous communication between two data buses. The logic levels of the direction-control (DIR pin) input activate either the B-port outputs or the A-port outputs. The device transmits data from the A bus to the B bus when the B-port outputs are activated and from the B bus to the A bus when the A-port outputs are activated. The **U74AVCH2T45** features active bus-hold circuitry, which holds unused or un-driven inputs at a valid logic state. Does not recommend using pull-up or pull-down resistors with the bus-hold circuitry.

FEATURES

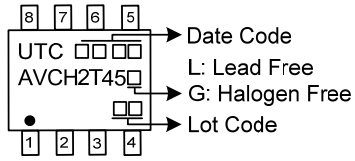
- * V_{CC} Isolation
- * 2-Rail Design
- * I/Os are 4.6V Tolerant
- * Partial Power-Down-Mode Operation
- * Bus Hold on Data Inputs

ORDERING INFORMATION

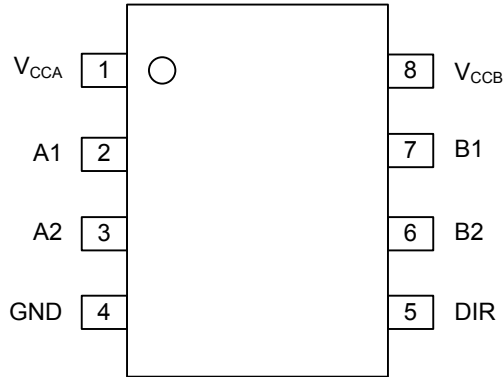
Ordering Number		Package	Packing
Lead Free	Halogen Free		
U74AVCH2T45L-S08-R	U74AVCH2T45G-S08-R	SOP-8	Tape Reel

<p>U74AVCH2T45G-S08-R</p> <p>(1)Packing Type</p> <p>(2)Package Type</p> <p>(3)Green Package</p>	<p>(1) R: Tape Reel</p> <p>(2) S08: SOP-8</p> <p>(3) G: Halogen Free and Lead Free, L: Lead Free</p>
---	--

■ MARKING



■ PIN CONFIGURATION



■ PIN DESCRIPTION

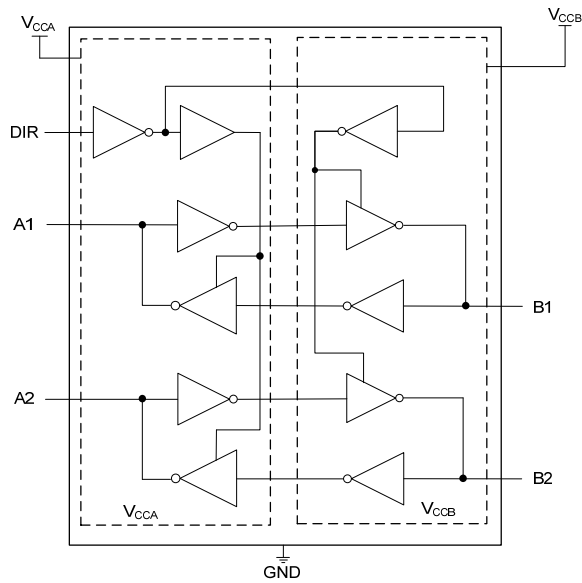
PIN NO.	PIN NAME	I/O	DESCRIPTION
1	V _{CCA}	P	Supply Voltage A
2	A1	I/O	Output or input depending on state of DIR. Output level depends on V _{CCA} .
3	A2	I/O	Output or input depending on state of DIR. Output level depends on V _{CCA} .
4	GND	G	Ground
5	DIR	I	Direction Pin, Connect to GND or to V _{CCA}
6	B2	I/O	Output or input depending on state of DIR. Output level depends on V _{CCB} .
7	B1	I/O	Output or input depending on state of DIR. Output level depends on V _{CCB} .
8	V _{CCB}	P	Supply Voltage B

Note: P: Power, G: Ground, I/O: Input and Output, I: Input.

■ FUNCTION TABLE

INPUTS DIR	OPERATION
L	B data to A bus
H	A data to B bus

■ LOGIC DIAGRAM (POSITIVE LOGIC)



■ ABSOLUTE MAXIMUM RATING

PARAMETER	SYMBOL	TEST CONDITIONS	RATINGS	UNIT
Supply Voltage	V_{CCA}		-0.5 ~ 4.6	V
Supply Voltage	V_{CCB}		-0.5 ~ 4.6	V
Input Voltage (Note 2)	V_{IN}	A Port	-0.5 ~ 4.6	V
		B Port	-0.5 ~ 4.6	V
		Control Input	-0.5 ~ 4.6	V
Voltage applied to any output in the high-impedance or power off state (Note 2)	V_{OUT}	A Port	-0.5 ~ 4.6	V
		B Port	-0.5 ~ 4.6	V
Voltage applied to any output in the high or low state (Note 2, 3)	V_{OUT}	A Port	-0.5 ~ $V_{CCA}+0.5$	V
		B Port	-0.5 ~ $V_{CCB}+0.5$	V
Continuous Output Current	I_{OUT}		±50	mA
Continuous current through V_{CCA} , V_{CCB} or GND			±100	mA
Input Clamp Current	I_{IK}	$V_{IN}<0V$	-50	mA
Output Clamp Current	I_{OK}	$V_{OUT}<0V$	-50	mA
Junction Temperature	T_J		+150	°C
Storage Temperature Range	T_{STG}		-65 ~ +150	°C

- Notes: 1. Absolute maximum ratings are those values beyond which the device could be permanently damaged. Absolute maximum ratings are stress ratings only and functional device operation is not implied.
2. The input negative-voltage and output voltage ratings may be exceeded if the input and output current ratings are observed.
3. The output positive-voltage rating may be exceeded up to 4.6V maximum if the output current ratings are observed.

RECOMMENDED OPERATING CONDITIONS

PARAMETER		SYMBOL	TEST CONDITIONS	MIN	TYP	MAX	UNIT	
Supply Voltage		V_{CCA}		1.2		3.6	V	
Supply Voltage		V_{CCB}		1.2		3.6	V	
High-Level Input Voltage	Data Inputs (Note 1)	V_{IH}	$V_{CCI}=1.2V\sim 1.95V$	V_{CCI} (Note 3) $\times 0.65$			V	
			$V_{CCI}=1.95V\sim 2.7V$	1.6			V	
			$V_{CCI}=2.7V\sim 3.6V$	2			V	
	DIR (Referenced to V_{CCA}) (Note 2)		$V_{CCI}=1.2V\sim 1.95V$	$V_{CCA}\times 0.65$				V
			$V_{CCI}=1.95V\sim 2.7V$	1.6				V
			$V_{CCI}=2.7V\sim 3.6V$	2				V
Low-Level Input Voltage	Data Inputs (Note 1)	V_{IL}	$V_{CCI}=1.2V\sim 1.95V$	V_{CCI} (Note 3) $\times 0.35$			V	
			$V_{CCI}=1.95V\sim 2.7V$			0.7	V	
			$V_{CCI}=2.7V\sim 3.6V$			0.8	V	
	DIR (Referenced to V_{CCA}) (Note 2)		$V_{CCI}=1.2V\sim 1.95V$	$V_{CCA}\times 0.35$				V
			$V_{CCI}=1.95V\sim 2.7V$	0.7				V
			$V_{CCI}=2.7V\sim 3.6V$	0.8				V
Input Voltage		V_{IN}		0		3.6	V	
Output Voltage	Active State	V_{OUT}		0		V_{CCO} (Note 4)	V	
	3-State			0		3.6	V	
Input Transition Rise or Fall Rate		$\Delta t/\Delta v$				5	ns/V	
Operating Temperature		T_A		-40		+125	°C	

- Notes: 1. For V_{CCI} values not specified in the data sheet, $V_{IH\ min}=V_{CCI}\times 0.7V$, $V_{IL\ max}=V_{CCI}\times 0.3V$.
 2. For V_{CCI} values not specified in the data sheet, $V_{IH\ min}=V_{CCA}\times 0.7V$, $V_{IL\ max}=V_{CCA}\times 0.3V$.
 3. V_{CCI} is the voltage associated with the input port supply V_{CCA} or V_{CCB} .
 4. V_{CCO} is the voltage associated with the output port supply V_{CCA} or V_{CCB} .

ELECTRICAL CHARACTERISTICS ($T_A=25^\circ C$, unless otherwise specified)

PARAMETER		SYMBOL	TEST CONDITIONS	MIN	TYP	MAX	UNIT
Output High Voltage	V_{OH}	$V_I=V_{IH}$	$V_{CCA}=1.2V\sim 3.6V$, $V_{CCB}=1.2V\sim 3.6V$, $I_{OH}=-100\mu A$	$V_{CCO}-0.2V$			V
			$V_{CCA}=1.2V$, $V_{CCB}=1.2V$, $I_{OH}=-3mA$		0.95		V
			$V_{CCA}=1.4V$, $V_{CCB}=1.4V$, $I_{OH}=-6mA$	1.05			V
			$V_{CCA}=1.65V$, $V_{CCB}=1.65V$, $I_{OH}=-8mA$	1.2			V
			$V_{CCA}=2.3V$, $V_{CCB}=2.3V$, $I_{OH}=-9mA$	1.75			V
			$V_{CCA}=3V$, $V_{CCB}=3V$, $I_{OH}=-12mA$	2.3			V

■ ELECTRICAL CHARACTERISTICS (Cont.)

PARAMETER		SYMBOL	TEST CONDITIONS	MIN	TYP	MAX	UNIT
Output Low Voltage		V_{OL}	$V_I = V_{IL}$	$V_{CCA}=1.2V \sim 3.6V$, $V_{CCB}=1.2V \sim 3.6V$, $I_{OL}=100\mu A$		0.2	V
				$V_{CCA}=1.2V$, $V_{CCB}=1.2V$, $I_{OL}=3mA$		0.15	V
				$V_{CCA}=1.4V$, $V_{CCB}=1.4V$, $I_{OL}=6mA$		0.35	V
				$V_{CCA}=1.65V$, $V_{CCB}=1.65V$, $I_{OL}=8mA$		0.45	V
				$V_{CCA}=2.3V$, $V_{CCB}=2.3V$, $I_{OL}=9mA$		0.55	V
				$V_{CCA}=3V$, $V_{CCB}=3V$, $I_{OL}=12mA$		0.7	V
Bus Hold Low Current (Note 3)		I_{BHL}	$V_{CCA}=1.2V$, $V_{CCB}=1.2V$, $V_{IN}=0.42V$		25		μA
			$V_{CCA}=1.4V$, $V_{CCB}=1.4V$, $V_{IN}=0.49V$	15			μA
			$V_{CCA}=1.65V$, $V_{CCB}=1.65V$, $V_{IN}=0.58V$	25			μA
			$V_{CCA}=2.3V$, $V_{CCB}=2.3V$, $V_{IN}=0.7V$	45			μA
			$V_{CCA}=3.3V$, $V_{CCB}=3.3V$, $V_{IN}=0.8V$	100			μA
Bus Hold High Current (Note 4)		I_{BHH}	$V_{CCA}=1.2V$, $V_{CCB}=1.2V$, $V_{IN}=0.79V$		-25		μA
			$V_{CCA}=1.4V$, $V_{CCB}=1.4V$, $V_{IN}=0.91V$	-15			μA
			$V_{CCA}=1.65V$, $V_{CCB}=1.65V$, $V_{IN}=1.07V$	-25			μA
			$V_{CCA}=2.3V$, $V_{CCB}=2.3V$, $V_{IN}=1.6V$	-45			μA
			$V_{CCA}=3.3V$, $V_{CCB}=3.3V$, $V_{IN}=2V$	-100			μA
Bus Hold Low Overdrive Current (Note 5)		I_{BHLO}	$V_I = 0 \sim V_{CC}$	$V_{CCA}=1.2V$, $V_{CCB}=1.2V$		50	μA
				$V_{CCA}=1.6V$, $V_{CCB}=1.6V$	125		μA
				$V_{CCA}=1.95V$, $V_{CCB}=1.95V$	200		μA
				$V_{CCA}=2.7V$, $V_{CCB}=2.7V$	300		μA
				$V_{CCA}=3.6V$, $V_{CCB}=3.6V$	500		μA
Bus Hold High Overdrive Current (Note 6)		I_{BHHO}	$V_I = 0 \sim V_{CC}$	$V_{CCA}=1.2V$, $V_{CCB}=1.2V$		-50	μA
				$V_{CCA}=1.6V$, $V_{CCB}=1.6V$	-125		μA
				$V_{CCA}=1.95V$, $V_{CCB}=1.95V$	-200		μA
				$V_{CCA}=2.7V$, $V_{CCB}=2.7V$	-300		μA
				$V_{CCA}=3.6V$, $V_{CCB}=3.6V$	-500		μA
Input Leakage Current	DIR	$I_{I(LEAK)}$	$V_{IN} = V_{CCA}$ or GND, $V_{CCA}=1.2V \sim 3.6V$, $V_{CCB}=1.2V \sim 3.6V$		± 0.025	± 0.25	μA
Power OFF Leakage Current	A Port	I_{OFF}	V_{IN} or $V_{OUT}=0 \sim 3.6V$, $V_{CCA}=0V$, $V_{CCB}=0V \sim 3.6V$		± 0.1	± 1	μA
	B Port		V_{IN} or $V_{OUT}=0 \sim 3.6V$, $V_{CCA}=0V \sim 3.6V$, $V_{CCB}=0V$		± 0.1	± 1	μA

■ ELECTRICAL CHARACTERISTICS (Cont.)

PARAMETER		SYMBOL	TEST CONDITIONS	MIN	TYP	MAX	UNIT
Output OFF-State Current	A Port	I_{OZ}	$V_{OUT}=V_{CCO}$ or GND, $V_{IN}=V_{CCI}$ or GND, $V_{CCA}=3.6V$, $V_{CCB}=0V$		± 0.5	± 2.5	μA
	B Port		$V_{OUT}=V_{CCO}$ or GND, $V_{IN}=V_{CCI}$ or GND, $V_{CCA}=0V$, $V_{CCB}=3.6V$		± 0.5	± 2.5	μA
Supply A Current		I_{CCA}	$V_{CCA}=1.2V\sim 3.6V$, $V_{CCB}=1.2V\sim 3.6V$			10	μA
			$V_{CCA}=0V$, $V_{CCB}=3.6V$			-2	μA
			$V_{CCA}=3.6V$, $V_{CCB}=0V$			10	μA
Supply B Current		I_{CCB}	$V_{IN}=V_{CCI}$ or GND, $I_{OUT}=0A$ $V_{CCA}=1.2V\sim 3.6V$, $V_{CCB}=1.2V\sim 3.6V$			10	μA
			$V_{CCA}=0V$, $V_{CCB}=3.6V$			10	μA
			$V_{CCA}=3.6V$, $V_{CCB}=0V$			-2	μA
Supply A Current Plus Supply B Current		$I_{CCA}+I_{CCB}$	$V_{CCA}=1.2V\sim 3.6V$, $V_{CCB}=1.2V\sim 3.6V$			20	μA
Input Capacitance	Control Inputs	C_{IN}	$V_{CCA}=3.3V$, $V_{CCB}=3.3V$		2.5		pF
Output Capacitance	A or B Port	C_{IO}	$V_{CCA}=3.3V$, $V_{CCB}=3.3V$		6		pF

Notes: 1. V_{CCI} is the voltage associated with the input port supply V_{CCA} or V_{CCB} .

2. V_{CCO} is the voltage associated with the output port supply V_{CCA} or V_{CCB} .

3. The bus-hold circuit can sink at least the minimum low sustaining current at V_{IL} maximum. I_{BHL} should be measured after lowering V_{IN} to GND and then raising it to V_{IL} maximum.

4. The bus-hold circuit can source at least the minimum high sustaining current at V_{IH} minimum. I_{BHH} should be measured after raising V_{IN} to V_{CC} and then lowering it to V_{IH} minimum.

5. An external driver must source at least I_{BHLO} to switch this node from low to high.

6. An external driver must sink at least I_{BHHO} to switch this node from high to low.

■ SWITCHING CHARACTERISTICS (T_A=25°C , unless otherwise specified)

PARAMETER	SYMBOL	TEST CONDITIONS	MIN	TYP	MAX	UNIT	
Propagation Delay From Input (A) to Output (B)	t _{PLH} t _{PHL}	V _{CCA} =1.2V	V _{CCB} =1.2V		3.1	ns	
			V _{CCB} =1.5V		2.6	ns	
			V _{CCB} =1.8V		2.4	ns	
			V _{CCB} =2.5V		2.2	ns	
			V _{CCB} =3.3V		2.2	ns	
		V _{CCA} =1.5V±0.1V	V _{CCB} =1.2V		2.8	ns	
			V _{CCB} =1.5V±0.1V	0.7		5.4	ns
			V _{CCB} =1.8V±0.15V	0.5		4.6	ns
			V _{CCB} =2.5V±0.2V	0.4		3.7	ns
			V _{CCB} =3.3V±0.3V	0.3		3.5	ns
		V _{CCA} =1.8V±0.15V	V _{CCB} =1.2V		2.7	ns	
			V _{CCB} =1.5V±0.1V	0.5		5.2	ns
			V _{CCB} =1.8V±0.15V	0.4		4.3	ns
			V _{CCB} =2.5V±0.2V	0.2		3.4	ns
			V _{CCB} =3.3V±0.3V	0.2		3.1	ns
		V _{CCA} =2.5V±0.2V	V _{CCB} =1.2V		2.6	ns	
			V _{CCB} =1.5V±0.1V	0.4		4.9	ns
			V _{CCB} =1.8V±0.15V	0.2		4.0	ns
			V _{CCB} =2.5V±0.2V	0.2		3.0	ns
			V _{CCB} =3.3V±0.3V	0.2		2.6	ns
		V _{CCA} =3.3V±0.3V	V _{CCB} =1.2V		2.5	ns	
			V _{CCB} =1.5V±0.1V	0.3		4.7	ns
			V _{CCB} =1.8V±0.15V	0.2		3.8	ns
			V _{CCB} =2.5V±0.2V	0.2		2.8	ns
V _{CCB} =3.3V±0.3V	0.2			2.4	ns		
Propagation Delay From Input (B) to Output (A)	t _{PLH} t _{PHL}	V _{CCA} =1.2V	V _{CCB} =1.2V		3.4	ns	
			V _{CCB} =1.5V		3.1	ns	
			V _{CCB} =1.8V		3.0	ns	
			V _{CCB} =2.5V		2.9	ns	
			V _{CCB} =3.3V		2.9	ns	
		V _{CCA} =1.5V±0.1V	V _{CCB} =1.2V		2.7	ns	
			V _{CCB} =1.5V±0.1V	0.8		5.4	ns
			V _{CCB} =1.8V±0.15V	0.7		5.2	ns
			V _{CCB} =2.5V±0.2V	0.6		4.9	ns
			V _{CCB} =3.3V±0.3V	0.5		4.7	ns
		V _{CCA} =1.8V±0.15V	V _{CCB} =1.2V		2.4	ns	
			V _{CCB} =1.5V±0.1V	0.7		4.7	ns
			V _{CCB} =1.8V±0.15V	0.5		4.4	ns
			V _{CCB} =2.5V±0.2V	0.5		4.0	ns
			V _{CCB} =3.3V±0.3V	0.4		3.8	ns
		V _{CCA} =2.5V±0.2V	V _{CCB} =1.2V		2.1	ns	
			V _{CCB} =1.5V±0.1V	0.6		3.8	ns
			V _{CCB} =1.8V±0.15V	0.5		3.4	ns
			V _{CCB} =2.5V±0.2V	0.4		3.0	ns
			V _{CCB} =3.3V±0.3V	0.3		2.8	ns
		V _{CCA} =3.3V±0.3V	V _{CCB} =1.2V		2.1	ns	
			V _{CCB} =1.5V±0.1V	0.6		3.6	ns
			V _{CCB} =1.8V±0.15V	0.4		3.1	ns
			V _{CCB} =2.5V±0.2V	0.3		2.6	ns
V _{CCB} =3.3V±0.3V	0.3			2.4	ns		

■ SWITCHING CHARACTERISTICS (Cont.)

PARAMETER	SYMBOL	TEST CONDITIONS	MIN	TYP	MAX	UNIT		
Propagation Delay From Input (DIR) to Output (A)	t _{PHZ} t _{PLZ}	V _{CCA} =1.2V	V _{CCB} =1.2V		5.2		ns	
			V _{CCB} =1.5V		5.2		ns	
			V _{CCB} =1.8V		5.1		ns	
			V _{CCB} =2.5V		5		ns	
			V _{CCB} =3.3V		4.8		ns	
		V _{CCA} =1.5V±0.1V	V _{CCB} =1.2V			3.9		ns
			V _{CCB} =1.5V±0.1V	1.3		8.5		ns
			V _{CCB} =1.8V±0.15V	1.3		7.8		ns
			V _{CCB} =2.5V±0.2V	1.1		7.7		ns
			V _{CCB} =3.3V±0.3V	1.4		7.6		ns
		V _{CCA} =1.8V±0.15V	V _{CCB} =1.2V			3.7		ns
			V _{CCB} =1.5V±0.1V	1.3		8.1		ns
			V _{CCB} =1.8V±0.15V	0.7		6.9		ns
			V _{CCB} =2.5V±0.2V	1.4		5.3		ns
			V _{CCB} =3.3V±0.3V	1.1		5.2		ns
		V _{CCA} =2.5V±0.2V	V _{CCB} =1.2V			2.4		ns
			V _{CCB} =1.5V±0.1V	0.7		7.9		ns
			V _{CCB} =1.8V±0.15V	0.8		6.4		ns
			V _{CCB} =2.5V±0.2V	0.8		5		ns
			V _{CCB} =3.3V±0.3V	0.5		4.3		ns
		V _{CCA} =3.3V±0.3V	V _{CCB} =1.2V			2.9		ns
			V _{CCB} =1.5V±0.1V	1.1		8		ns
			V _{CCB} =1.8V±0.15V	1		6.5		ns
			V _{CCB} =2.5V±0.2V	1.3		4.7		ns
V _{CCB} =3.3V±0.3V	1.2			4		ns		
Propagation Delay From Input (DIR) to Output (B)	t _{PHZ} t _{PLZ}	V _{CCA} =1.2V	V _{CCB} =1.2V		5		ns	
			V _{CCB} =1.5V±0.1V		4		ns	
			V _{CCB} =1.8V±0.15V		3.8		ns	
			V _{CCB} =2.5V±0.2V		2.8		ns	
			V _{CCB} =3.3V±0.3V		3.2		ns	
		V _{CCA} =1.5V±0.1V	V _{CCB} =1.2V			4.7		ns
			V _{CCB} =1.5V±0.1V	1.1		7.0		ns
			V _{CCB} =1.8V±0.15V	1.4		6.9		ns
			V _{CCB} =2.5V±0.2V	1.2		6.9		ns
			V _{CCB} =3.3V±0.3V	1.7		7.1		ns
		V _{CCA} =1.8V±0.15V	V _{CCB} =1.2V			4.4		ns
			V _{CCB} =1.5V±0.1V	1.3		5.8		ns
			V _{CCB} =1.8V±0.15V	1.3		5.9		ns
			V _{CCB} =2.5V±0.2V	0.8		5.7		ns
			V _{CCB} =3.3V±0.3V	1.5		5.9		ns
		V _{CCA} =2.5V±0.2V	V _{CCB} =1.2V			3.8		ns
			V _{CCB} =1.5V±0.1V	1.0		4.3		ns
			V _{CCB} =1.8V±0.15V	0.6		4.3		ns
			V _{CCB} =2.5V±0.2V	0.5		4.2		ns
			V _{CCB} =3.3V±0.3V	1.1		4.1		ns
		V _{CCA} =3.3V±0.3V	V _{CCB} =1.2V			3.4		ns
			V _{CCB} =1.5V±0.1V	0.5		6.6		ns
			V _{CCB} =1.8V±0.15V	0.3		5.6		ns
			V _{CCB} =2.5V±0.2V	0.3		4.6		ns
V _{CCB} =3.3V±0.3V	1.1			4.2		ns		

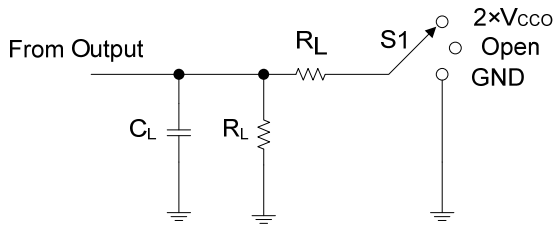
■ SWITCHING CHARACTERISTICS (Cont.)

PARAMETER	SYMBOL	TEST CONDITIONS	MIN	TYP	MAX	UNIT
Propagation Delay From Input (DIR) to Output (A)	t _{PZH} t _{PZL}	V _{CCA} =1.2V	V _{CCB} =1.2V		8.4	ns
			V _{CCB} =1.5V		7.1	ns
			V _{CCB} =1.8V		6.8	ns
			V _{CCB} =2.5V		5.7	ns
			V _{CCB} =3.3V		6.1	ns
		V _{CCA} =1.5V±0.1V	V _{CCB} =1.2V		7.4	ns
			V _{CCB} =1.5V±0.1V		12.4	ns
			V _{CCB} =1.8V±0.15V		12.1	ns
			V _{CCB} =2.5V±0.2V		11.8	ns
			V _{CCB} =3.3V±0.3V		11.8	ns
		V _{CCA} =1.8V±0.15V	V _{CCB} =1.2V		6.8	ns
			V _{CCB} =1.5V±0.1V		10.5	ns
			V _{CCB} =1.8V±0.15V		10.3	ns
			V _{CCB} =2.5V±0.2V		9.7	ns
			V _{CCB} =3.3V±0.3V		9.7	ns
		V _{CCA} =2.5V±0.2V	V _{CCB} =1.2V		5.9	ns
			V _{CCB} =1.5V±0.1V		8.5	ns
			V _{CCB} =1.8V±0.15V		7.7	ns
			V _{CCB} =2.5V±0.2V		7.2	ns
			V _{CCB} =3.3V±0.3V		6.9	ns
		V _{CCA} =3.3V±0.3V	V _{CCB} =1.2V		5.5	ns
			V _{CCB} =1.5V±0.1V		10.2	ns
			V _{CCB} =1.8V±0.15V		8.7	ns
			V _{CCB} =2.5V±0.2V		7.2	ns
V _{CCB} =3.3V±0.3V			6.6	ns		
Propagation Delay From Input (DIR) to Output (B)	t _{PZH} t _{PZL}	V _{CCA} =1.2V	V _{CCB} =1.2V		8.3	ns
			V _{CCB} =1.5V		7.8	ns
			V _{CCB} =1.8V		7.5	ns
			V _{CCB} =2.5V		7.2	ns
			V _{CCB} =3.3V		7.0	ns
		V _{CCA} =1.5V±0.1V	V _{CCB} =1.2V		6.7	ns
			V _{CCB} =1.5V±0.1V		13.9	ns
			V _{CCB} =1.8V±0.15V		12.4	ns
			V _{CCB} =2.5V±0.2V		11.4	ns
			V _{CCB} =3.3V±0.3V		11.1	ns
		V _{CCA} =1.8V±0.15V	V _{CCB} =1.2V		6.4	ns
			V _{CCB} =1.5V±0.1V		13.3	ns
			V _{CCB} =1.8V±0.15V		11.2	ns
			V _{CCB} =2.5V±0.2V		8.7	ns
			V _{CCB} =3.3V±0.3V		8.3	ns
		V _{CCA} =2.5V±0.2V	V _{CCB} =1.2V		5.0	ns
			V _{CCB} =1.5V±0.1V		12.8	ns
			V _{CCB} =1.8V±0.15V		10.4	ns
			V _{CCB} =2.5V±0.2V		8.0	ns
			V _{CCB} =3.3V±0.3V		6.9	ns
		V _{CCA} =3.3V±0.3V	V _{CCB} =1.2V		5.4	ns
			V _{CCB} =1.5V±0.1V		12.7	ns
			V _{CCB} =1.8V±0.15V		10.3	ns
			V _{CCB} =2.5V±0.2V		7.5	ns
V _{CCB} =3.3V±0.3V			6.4	ns		

■ OPERATING CHARACTERISTICS (T_A=25°C, unless otherwise specified)

PARAMETER		SYMBOL	TEST CONDITIONS	MIN	TYP	MAX	UNIT
Power Dissipation Capacitance	A Port Input B Port Output	C _{PDA}	C _L =0, f=10MHz t _r =t _f =1nS	V _{CCB} =1.2V		3	pF
				V _{CCB} =1.5V		3	pF
				V _{CCB} =1.8V		3	pF
				V _{CCB} =2.5V		3	pF
				V _{CCB} =3.3V		4	pF
	B Port Input A Port Output			V _{CCB} =1.2V		13	pF
				V _{CCB} =1.5V		13	pF
				V _{CCB} =1.8V		14	pF
				V _{CCB} =2.5V		15	pF
				V _{CCB} =3.3V		15	pF
	A Port Input B Port Output	C _{PDB}	V _{CCB} =1.2V		13	pF	
			V _{CCB} =1.5V		13	pF	
			V _{CCB} =1.8V		14	pF	
			V _{CCB} =2.5V		15	pF	
			V _{CCB} =3.3V		15	pF	
	B Port Input A Port Output		V _{CCB} =1.2V		3	pF	
			V _{CCB} =1.5V		3	pF	
			V _{CCB} =1.8V		3	pF	
V _{CCB} =2.5V				3	pF		
V _{CCB} =3.3V				4	pF		

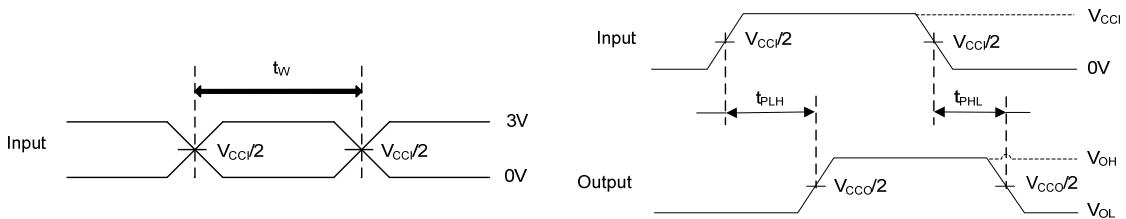
TEST CIRCUIT AND WAVEFORMS



TEST	S1
t_{PD}	Open
t_{PLZ}/t_{PZL}	$2 \times V_{CCO}$
t_{PHZ}/t_{PZH}	GND

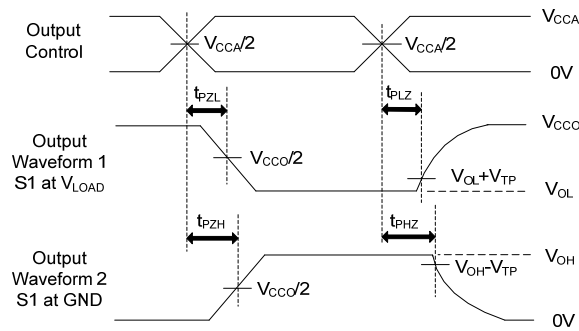
LOAD CIRCUIT

V_{CCO}	C_L	R_L	V_{TP}
1.2V	15pF	2k Ω	0.1V
1.5V \pm 0.1V	15pF	2k Ω	0.1V
1.8V \pm 0.15V	15pF	2k Ω	0.15V
2.5V \pm 0.2V	15pF	2k Ω	0.15V
3.3V \pm 0.3V	15pF	2k Ω	0.3V



PULSE DURATION

PROPAGATION DELAY TIMES



ENABLE AND DISABLE TIMES

Notes: 1. C_L includes probe and jig capacitance.

2. All input pulses are supplied by generators having the following characteristics: PRR \leq 10MHz, $Z_0 = 50\Omega$, $dv/dt \geq 1V/ns$.

■ DETAILED DESCRIPTION

Overview

This dual-bit non-inverting bus transceiver uses two separate configurable power-supply rails. The A port is designed to track V_{CCA} and accepts any supply voltage from 1.2V to 3.6V. The B port is designed to track V_{CCB} and accepts any supply voltage from 1.2V to 3.6V. This allows for universal low-voltage bidirectional translation and level-shifting between any of the 1.2V, 1.5V, 1.8V, 2.5V, and 3.3V voltage nodes.

The **U74AVCH2T45** is designed for asynchronous communication between two data buses. The logic levels of the direction-control (DIR pin) input activate either the B-port outputs or the A-port outputs. The device transmits data from the A bus to the B bus when the B-port outputs are activated and from the B bus to the A bus when the A-port outputs are activated.

The **U74AVCH2T45** features active bus-hold circuitry.

The DIR input is powered by supply voltage from V_{CCA} .

This device is fully specified for partial-power-down applications using off output current (I_{OFF}). The I_{OFF} circuitry disables the outputs, preventing damaging current backflow through the device when it is powered down.

The V_{CC} isolation feature ensures that if either V_{CC} input is at GND, both ports are put in a high-impedance state. This will prevent a false high or low logic being presented at the output.

■ FEATURES DESCRIPTION

V_{CC} Isolation

The V_{CC} isolation feature ensures that if either V_{CCA} or V_{CCB} are at GND, both ports will be in a high-impedance state (I_{OZ} shown in Block Diagram). This prevents false logic levels from being presented to either bus.

2-Rail Design

Fully configurable 2-rail design allows each port to operate over the full 1.2V to 3.6V power-supply range.

IO Ports are 4.6V Tolerant

The IO ports are up to 4.6V tolerant.

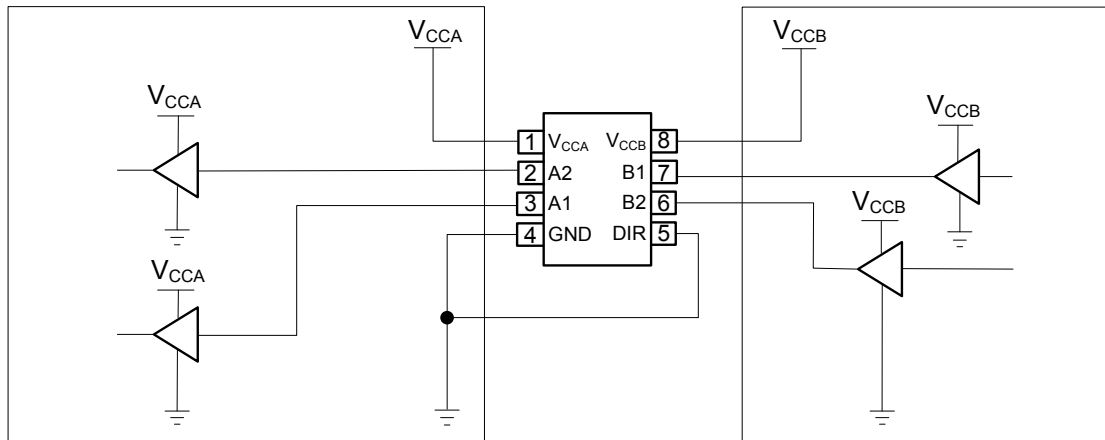
Partial-Power-Down Mode

This device is fully specified for partial-power-down applications using off output current (I_{OFF}). The I_{OFF} circuitry disables the outputs, preventing damaging current backflow through the device when it is powered down.

Bus Hold on Data Inputs

Active bus-hold circuitry holds unused or un-driven inputs at a valid logic state. does not recommend using pull-up or pull-down resistors with the bus-hold circuitry.

■ TYPICAL APPLICATION CIRCUIT



UTC assumes no responsibility for equipment failures that result from using products at values that exceed, even momentarily, rated values (such as maximum ratings, operating condition ranges, or other parameters) listed in products specifications of any and all UTC products described or contained herein. UTC products are not designed for use in life support appliances, devices or systems where malfunction of these products can be reasonably expected to result in personal injury. Reproduction in whole or in part is prohibited without the prior written consent of the copyright owner. UTC reserves the right to make changes to information published in this document, including without limitation specifications and product descriptions, at any time and without notice. This document supersedes and replaces all information supplied prior to the publication hereof.