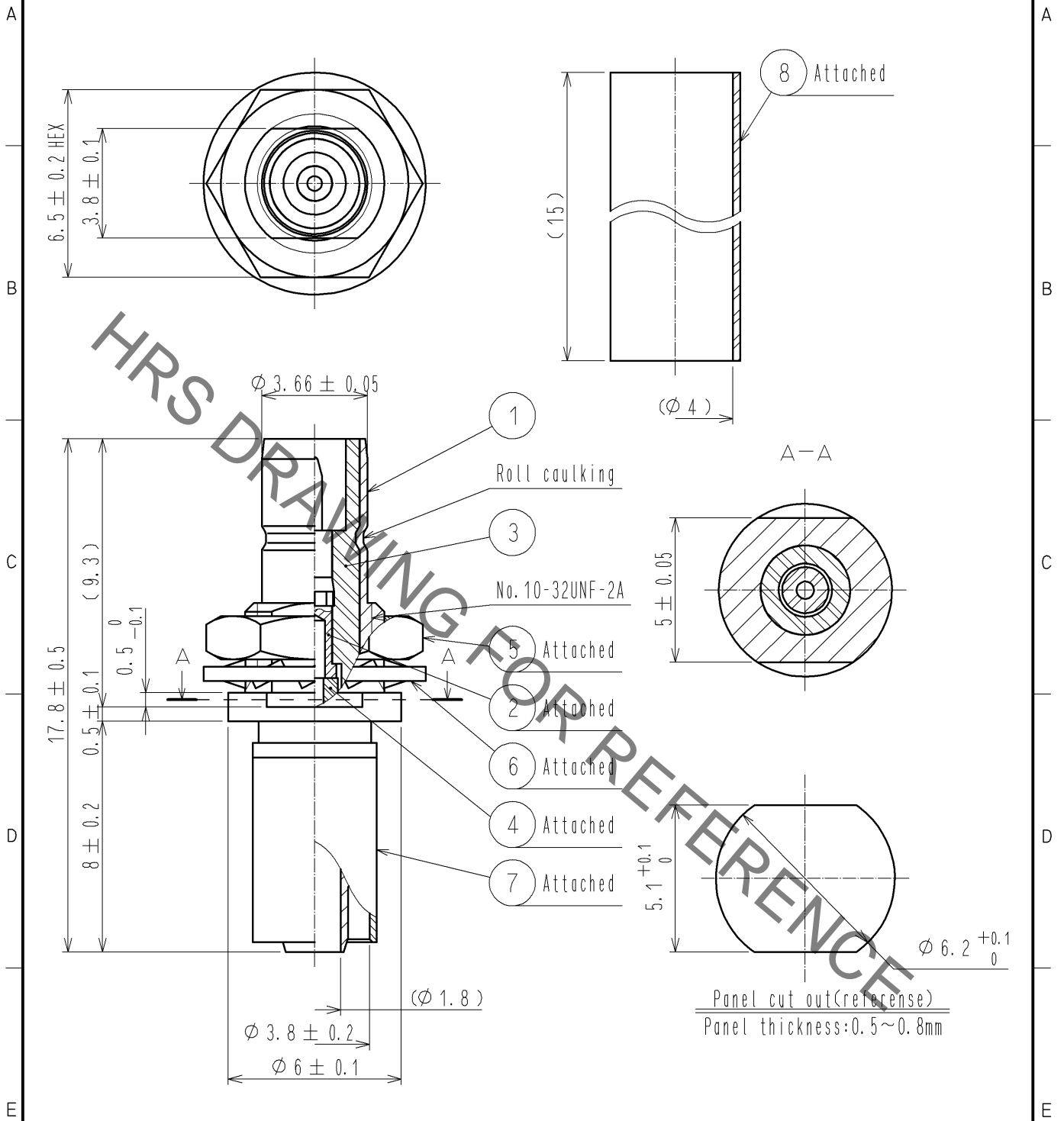


Aug.1.2022 Copyright 2022 HIROSE ELECTRIC CO., LTD. All Rights Reserved.
 In case of consideration for using Automotive equipment / device which demand high reliability, kindly contact our sales window correspondents.

【 ASSEMBLE TOOL 】 APPLICABLE OUTER CONDUCTOR CRIMPING TOOL : HT303/UM.MSS-T-1(1.5)



RoHS COMPLIANT

4	PTFE		8	POLYOLEFIN	HEAT SHRINK TUBING(BLACK)
3	PTFE		7	COPPER	NICKEL PLATING
2	BRASS	GOLD PLATING	6	PHOSPHOR BRONZE	NICKEL PLATING
1	BRASS	NICKEL PLATING	5	BRASS	NICKEL PLATING
NO.	MATERIAL	FINISH . REMARKS	NO.	MATERIAL	FINISH . REMARKS

UNITS mm	SCALE 5 : 1	COUNT	DESCRIPTION OF REVISIONS	DESIGNED	CHECKED	DATE
HRS HIROSE ELECTRIC CO., LTD.			APPROVED : TS. NOBE 13. 11. 21 CHECKED : NK. NINOMIYA 13. 11. 21 DESIGNED : NK. OOSAWA 13. 11. 21 DRAWN : NK. OOSAWA 13. 11. 21	DRAWING NO. EDC4-132252-40 PART NO. UM-QPJ-1.5VCR3B(40) CODE NO. CL318-0203-0-40	1/1	