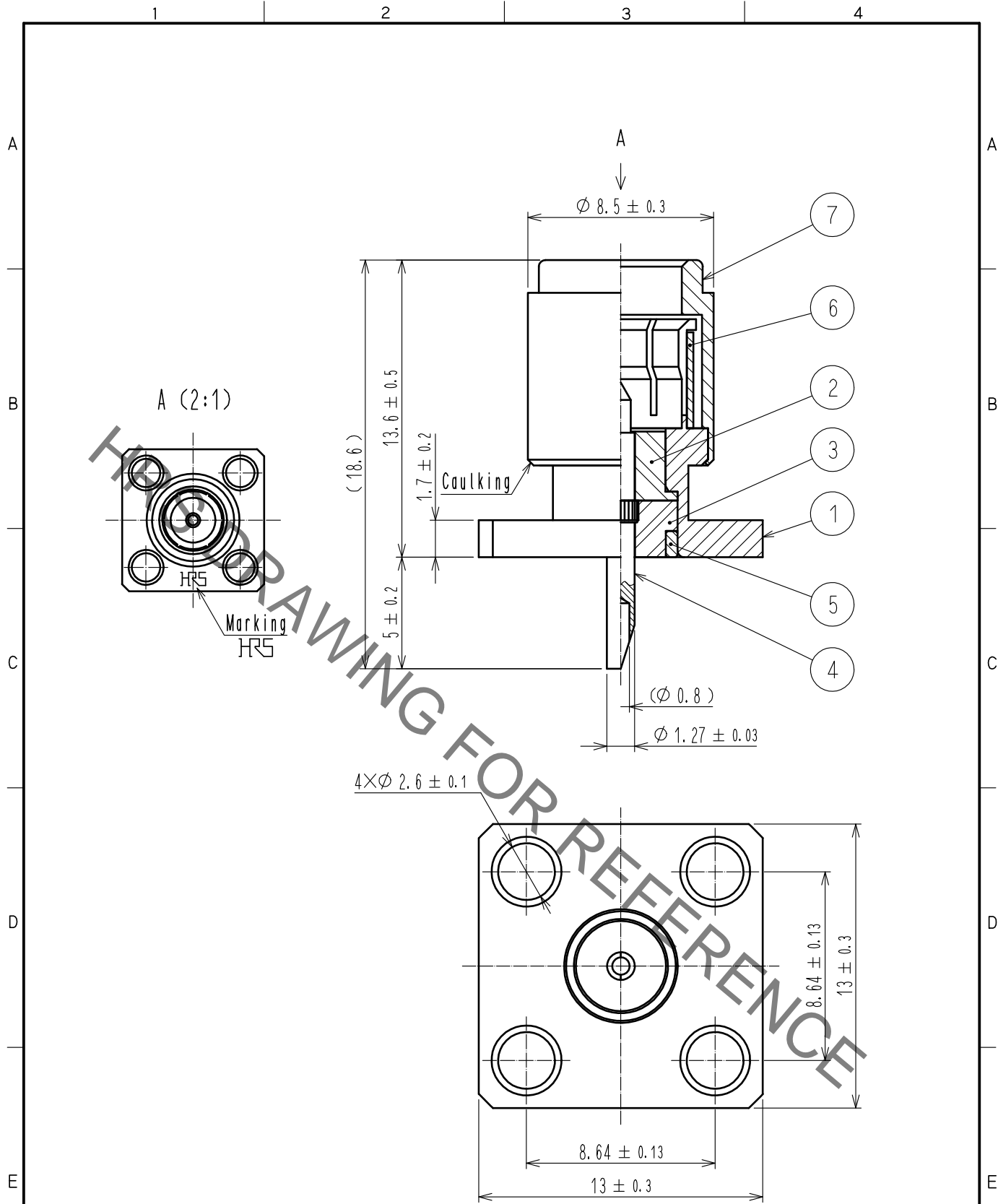


Aug. 1. 2022 Copyright 2022 HIROSE ELECTRIC CO., LTD. All Rights Reserved.
In case of consideration for using Automotive equipment / device which demand high reliability, kindly contact our sales window correspondents.



4	BRASS	GOLD PLATING							
3	PTFE			7	BRASS	NICKEL PLATING			
2	PTFE			6	STAINLESS STEEL				
1	BRASS	GOLD PLATING		5	BRASS	GOLD PLATING			
NO.	MATERIAL	FINISH	REMARKS	NO.	MATERIAL	FINISH	REMARKS		
UNITS mm		SCALE 4 : 1	COUNT 	DESCRIPTION OF REVISIONS			DESIGNED	CHECKED	DATE
HIROSE ELECTRIC CO., LTD.		APPROVED	: NK. NINOMIYA	20220307	DRAWING NO. EDC-007513-40-00				
		CHECKED	: NK. NINOMIYA	20220307	PART NO. POB-RP-15(40)				
		DESIGNED	: MT. KANEKO	20220307	CODE NO. CL0326-0064-0-40				
		DRAWN	: NK. OOSHIMA	20220307	1/1				