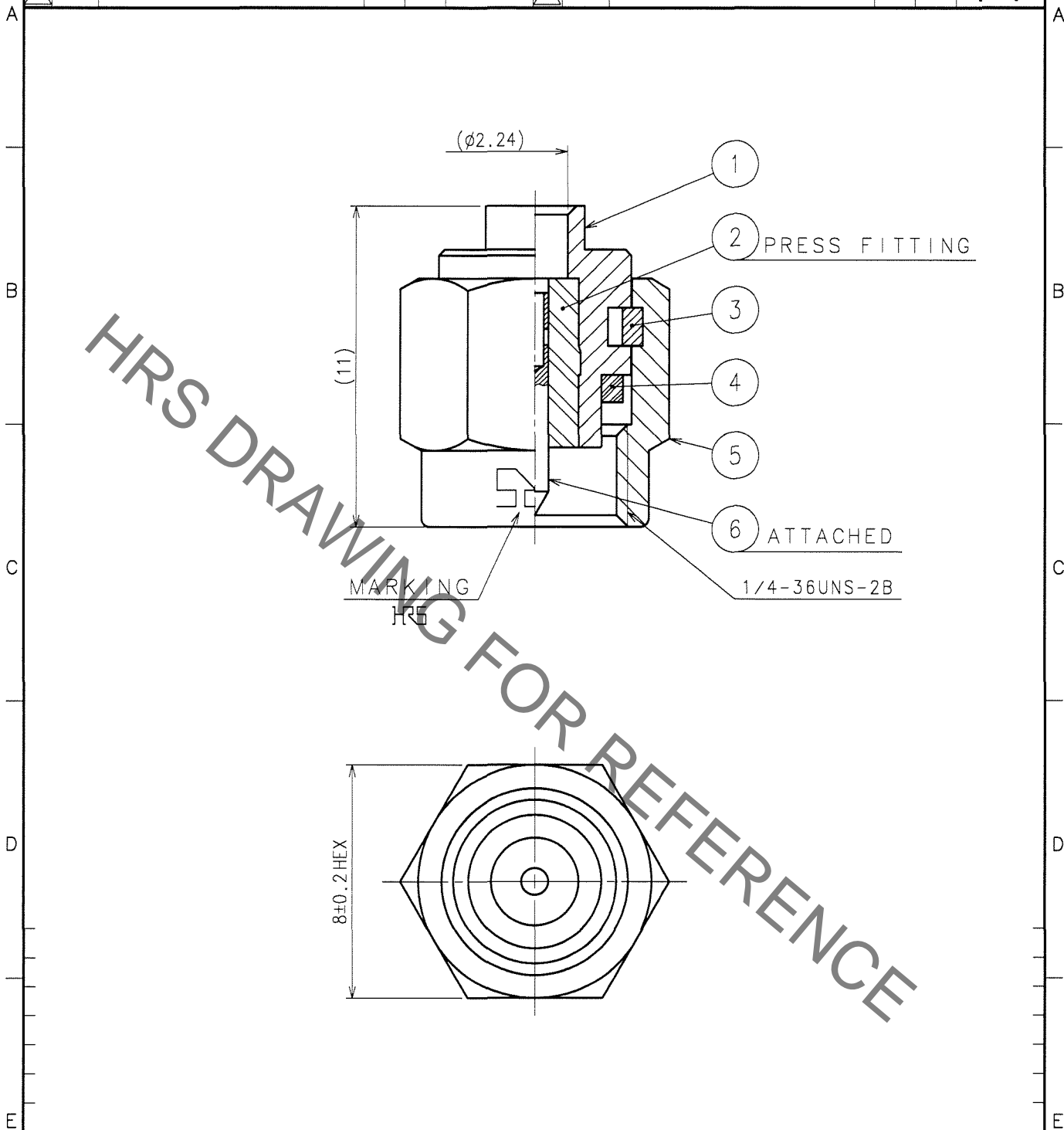


Aug.1.2022 Copyright 2022 HIROSE ELECTRIC CO., LTD. All Rights Reserved.
 In case of consideration for using Automotive equipment / device which demand high reliability, kindly contact our sales window correspondents.

1			2			3			4					
COUNT	DESCRIPTION OF REVISIONS	BY	CHKD	DATE	COUNT	DESCRIPTION OF REVISIONS	BY	CHKD	DATE	COUNT	DESCRIPTION OF REVISIONS	BY	CHKD	DATE
△					△					△				
△					△					△				
△					△					△				



3	BERYLLIUM COPPER	NICKEL PLATING	6	BRASS	GOLD PLATING
2	PTFE		5	STAINLESS STEEL	PASSIVATE
1	STAINLESS STEEL	GOLD PLATING	4	SILICONE RUBBER	
NO.	MATERIAL	FINISH, REMARKS	NO.	MATERIAL	FINISH, REMARKS

CODE NO. (OLD) CL	DRAWN N. OOSAWA 07.07.03	DESIGNED I. Katayama 07.07.03	CHECKED H. Shimizu 07.07.03	APPROVED J. Mitani 07.07.03	RELEASED
RoHS COMPLIANT					

 SCALE 5 : 1 UNITS mm	DRAWING NO. EDC4-008734-40 HIROSE ELECTRIC CO., LTD.	PART NO. HRM-100-1S1(40) CODE NO. CL323-0238-0-40	1 1
-----------------------------------	--	--	--------

TO
RF