

# S CN BN - J 1 1 75 - SO SPM

SUNTSU

CONNECTOR

BNC

Connector Type  
Jack

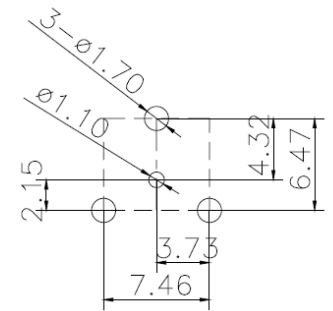
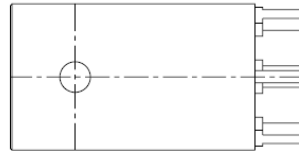
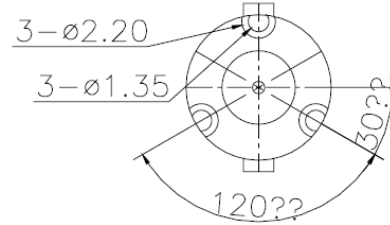
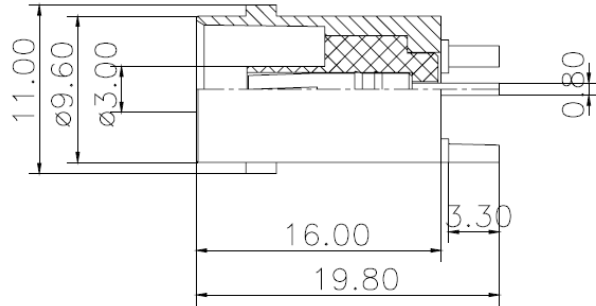
Rows

Connectors  
per Row

Impedance  
75

Contact Termination  
Solder

Mounting Style  
Straight Panel  
Mount



**Recommended  
Mounting  
Layout**

- Materials:
  - Body: Zinc Nickel Plated
  - Contact: Brass Nickel Plated
- Normal Impedance: 75Ω
- Frequency Range: 0-4 GHz
- Max Peak Voltage: 500V
- Dielectric Strength: 1500V RMS
- Insulation Resistance: 5000MΩ/Min



**BNC FEMALE STRAIGHT PANEL MOUNT**

Document History				Part No.	Drawn
Edits Made	Date	Edited By	Approved By	SCNBN-J1175-SOSPM	B. Gibbons 03/23/2022
Initial Release	03/23/2022	B. Gibbons	KH Mun	Scale	Tolerance
				Not drawn to scale	0.5-15 = ±0.15 15-30 = ±0.30 30-120 = ±0.60 >120 = ±1.00
				Unit	Pages
				mm	1/1