

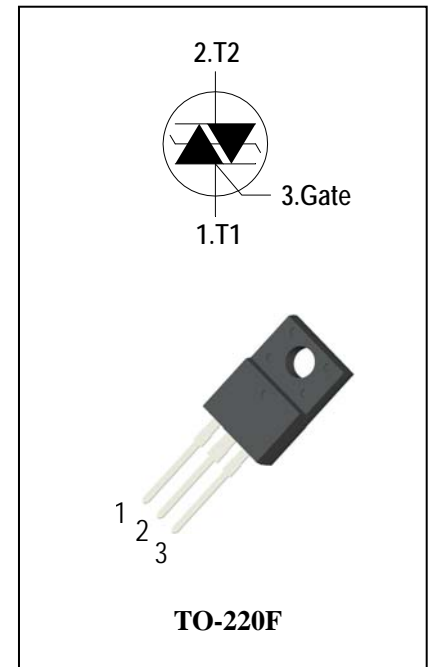
AC Thyristor Triac power switch

General Description

Available either in through-hole or surface-mount packages, the AACT2 suitable for general purpose AC switching. They can be used as an ON/OFF function in applications such as static relays, heating regulation, induction motor starting circuits... or for phase control operation in light dimmers, motor speed controllers,...

Features

- ◆ Repetitive Peak Off-State Voltage: 1000V and 1200V
- ◆ R.M.S On-State Current ($I_{T(RMS)}=2A$)
- ◆ Very high immunity to false turn-on by dV/dt
- ◆ Triggering in three quadrants only
- ◆ Pin compatible with standard triacs
- ◆ Safe clamping capability for low energy over-voltage transients
- ◆ These Devices are Pb-Free and are RoHS Compliant



Absolute Maximum Ratings

Symbol	Items	Conditions	Ratings	Unit
V_{DRM} V_{RRM}	Repetitive Peak Off-State Voltage	$T_j = 25^\circ C$	AACT210F 1000 AACT212F 1200	V V
$I_{T(RMS)}$	R.M.S On-State Current	$T_C = 110^\circ C$	2	A
I_{TSM}	Surge On-State Current	$t_p=20ms(50Hz)/t_p=16.7ms(60Hz)$	20/21	A
I^2t	I^2t for fusing	$t_p=10ms$	2	A^2s
di/dt	Critical rate of rise of on-state current	$F = 120 Hz$ $T_j = 125^\circ C$ $I_G = 2 \times I_{GT}$, $t_r \leq 100 ns$	50	$A/\mu s$
I_{GM}	Peak Gate Current	$t_p = 20 \mu s$ $T_j = 125^\circ C$	1	A
$P_{G(AV)}$	Average Gate Power Dissipation($T_j=125^\circ C$)		0.1	W
P_{GM}	Peak Gate Power Dissipation($t_p=20\mu s, T_j=125^\circ C$)		5	W
T_j	Operating Junction Temperature		- 40 ~ 125	$^\circ C$
T_{STG}	Storage Temperature		- 40 ~ 150	$^\circ C$



Electrical Characteristics ($T_j = 25^\circ\text{C}$ unless otherwise specified)

Symbol	Items	Conditions		AACT210F/12F	Unit
I_{DRM}	Peak Forward Reverse Blocking Current	$V_{DRM} = V_{RRM}, T_j = 25^\circ\text{C}$	Max.	10	μA
I_{RRM}		$V_{DRM} = V_{RRM}, T_j = 125^\circ\text{C}$		1	mA
V_{TM}	Peak On-State Voltage	$I_{TM} = 2.8\text{A}, t_p = 380 \mu\text{s}$	Max.	1.55	V
V_{GD}	Q1-Q2-Q3 Non-Trigger Gate Voltage	$V_D = 2/3V_{DRM}, R_L = 3.3 \text{ k}\Omega$ $T_j = 125^\circ\text{C}$	Min.	0.2	V
V_{GT}	Q1-Q2-Q3 Gate Trigger Voltage	$V_D = 12\text{V}, R_L = 33\Omega$	Max.	1.3	V
I_{GT}	Q1-Q2-Q3 Gate Trigger Current		Max.	10	mA
I_H	Q1-Q2-Q3 Holding Current	$I_T = 0.1\text{A}$	Max.	10	mA
I_L	Q1-Q3 Latching Current	$I_G = 1.2 I_{GT}$	Max.	25	mA
	Q2			35	
dV/dt	Critical Rate of Rise of Off-State Voltage	$V_D = 2/3V_{DRM}$ gate open $T_j = 125^\circ\text{C}$	Min.	600	$\text{V}/\mu\text{s}$
$R_{th(j-c)}$	Junction to case (AC)		Max.	7	$^\circ\text{C}/\text{W}$
$R_{th(j-a)}$	Junction to ambient		Max.	60	$^\circ\text{C}/\text{W}$

FIG.1: Quadrant are defined and the gate trigger test circuit

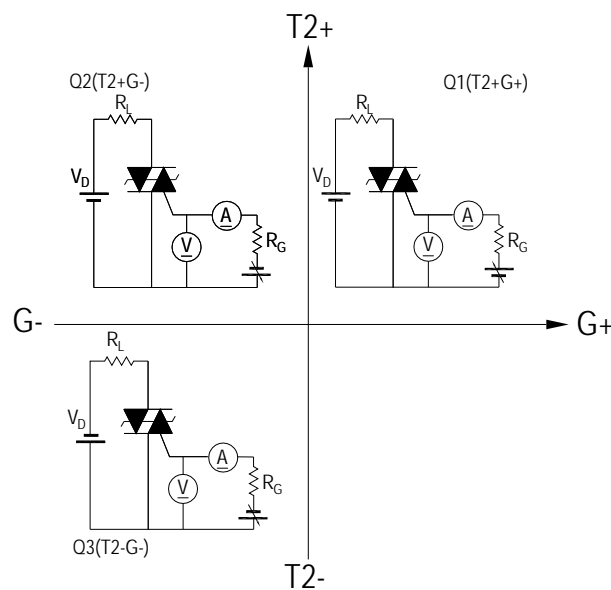


FIG.2: Maximum on-state power dissipation

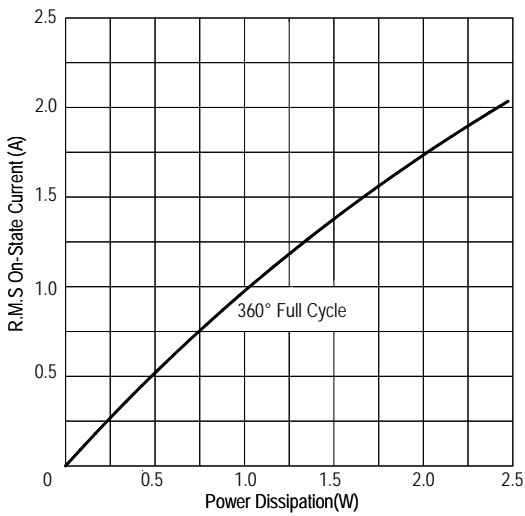


FIG.3: Typical RMS on-state current VS Allowable case Temperature

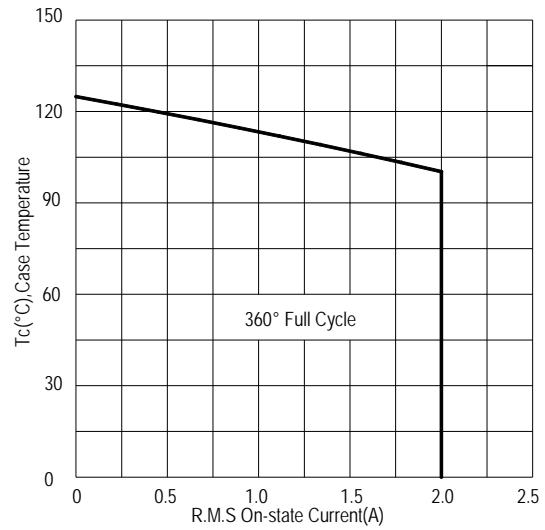


FIG.4: Gate trigger current VS Junction temperature

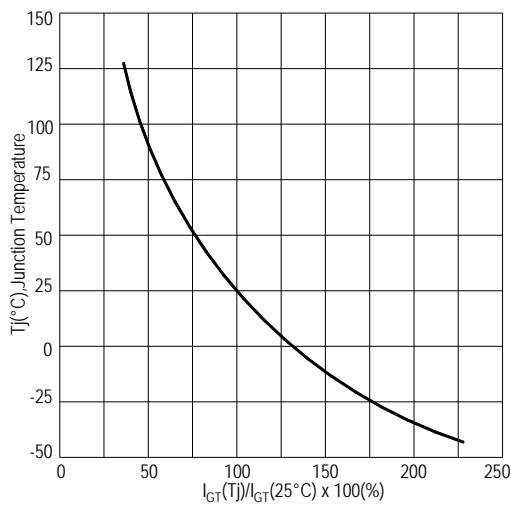


FIG.5: Rated surge on-state current (Non-Repetitive)

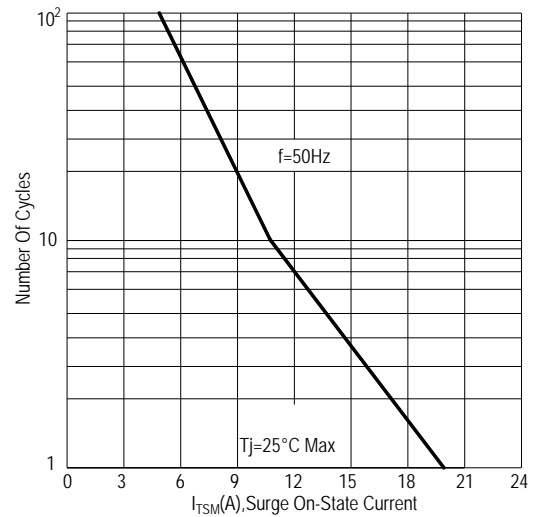


FIG.6: On-state characteristics(Max)

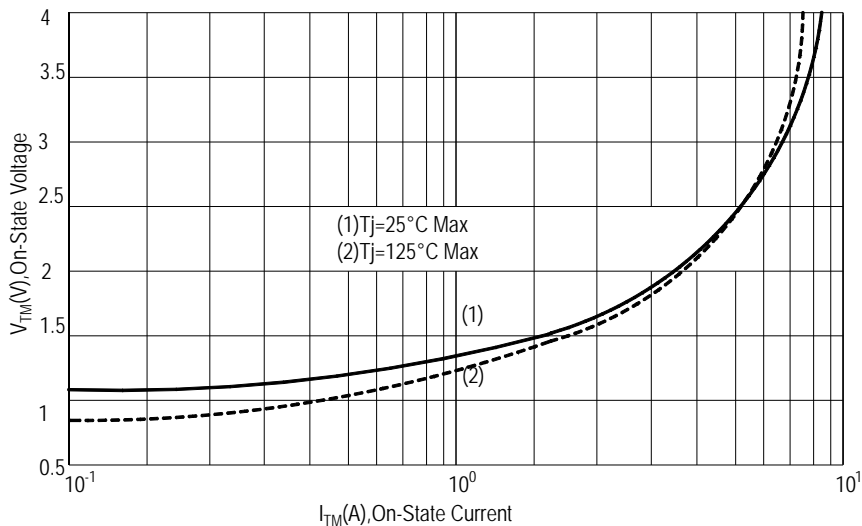


FIG.7: Holding current and Latching current VS Junction temperature

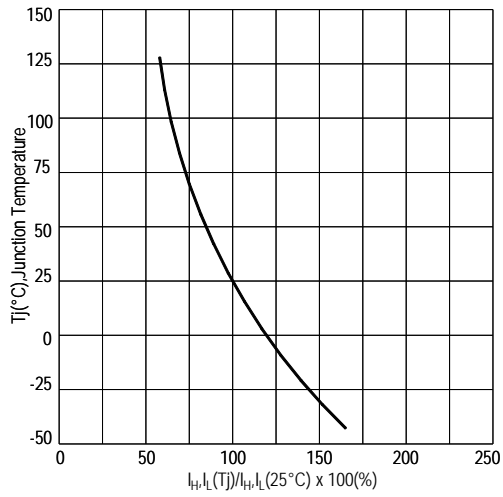
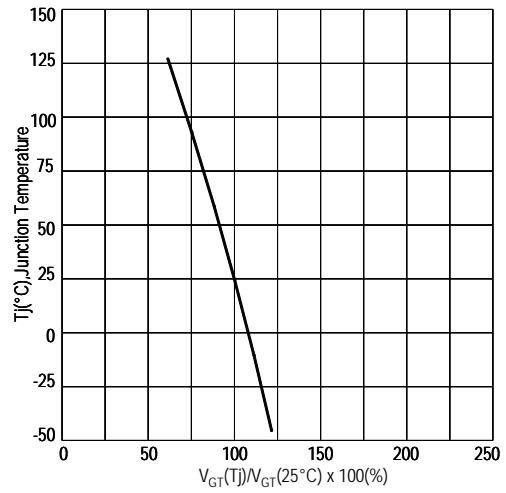
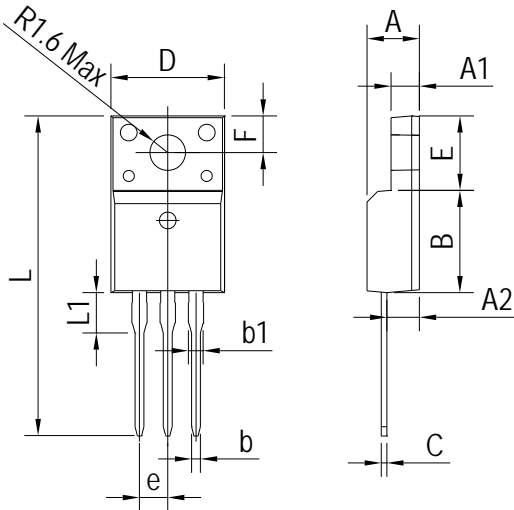


FIG.8: Gate trigger voltage VS Junction temperature



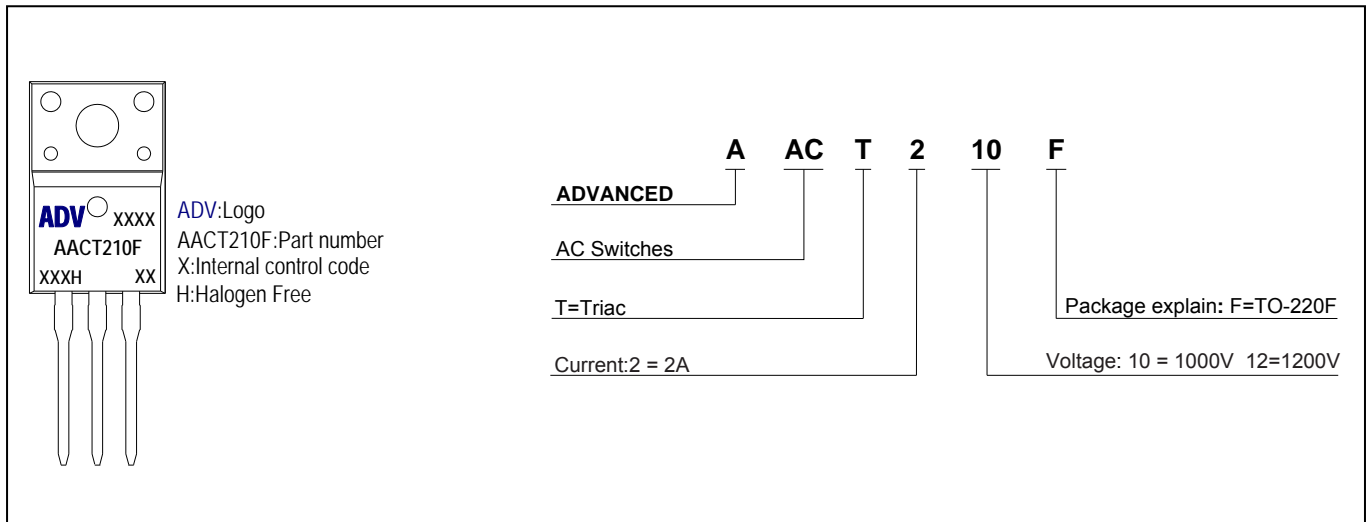
PACKAGE MECHANICAL DATA

TO-220F Package Dimension



Symbol	Dimensions In Millimeters		Dimensions In Inches	
	Min	Max	Min	Max
A	4.300	4.800	0.169	0.189
A1	2.400	2.700	0.094	0.106
A2	2.500	3.000	0.098	0.118
B	8.800	9.300	0.346	0.367
b	0.600	0.950	0.023	0.037
b1	1.100	1.700	0.043	0.067
C	0.500	0.750	0.020	0.030
D	9.700	10.360	0.382	0.408
E	6.400	6.800	0.252	0.268
e	2.540 TYP		0.100 TYP	
F	3.300 REF		0.130 REF	
L	28.000	30.000	1.102	1.181
L1	2.900	3.630	0.114	0.143

Making Diagram



Ordering information

Part number	Package	Marking	Packing	Quantity
AACT210F	TO-220F	AACT210F	Tube	50pcs
AACT212F	TO-220F	AACT212F	Tube	50pcs

Notice

1. All information included in this document such as product data, diagrams, charts, programs, algorithms, and application circuit examples, is current as of the date this document is issued. Such information, however, is subject to change without any prior notice. Before purchasing or using any ADV products listed in this document, please confirm the latest product information with a ADV sales office. Also, please pay regular and careful attention to additional and different information to be disclosed by ADV such as that disclosed through our website. (<http://www.advsemi.com>)
2. ADV has used reasonable care in compiling the information included in this document, but ADV assumes no liability whatsoever for any damages incurred as a result of errors or omissions in the information included in this document.
3. You should use the products described herein within the range specified by ADV, especially with respect to the maximum rating, operating supply voltage range, movement power voltage range, heat radiation characteristics, installation and other product characteristics. ADV shall have no liability for malfunctions or damages arising out of the use of ADV products beyond such specified ranges.
4. When using or otherwise relying on the information in this document, you should evaluate the information in light of the total system before deciding about the applicability of such information to the intended application. ADV makes no representations, warranties or guaranties regarding the suitability of its products for any particular application and specifically disclaims any liability arising out of the application and use of the information in this document or ADV products.
5. Although ADV endeavors to improve the quality and reliability of its products, IC products have specific characteristics such as the occurrence of failure at a certain rate and malfunctions under certain use conditions. Please be sure to implement safety measures to guard against the possibility of physical injury, and injury or damage caused by fire in the event of the failure of a ADV product, such as safety design for hardware and software including but not limited to redundancy, fire control and malfunction prevention, appropriate treatment for aging degradation or any other applicable measures. Among others, since the evaluation of microcomputer software alone is very difficult, please evaluate the safety of the final products or system manufactured by you.
6. This document is provided for reference purposes only so that ADV customers may select the appropriate ADV products for their use. ADV neither makes warranties or representations with respect to the accuracy or completeness of the information contained in this document nor grants any license to any intellectual property rights or any other rights of ADV or any third party with respect to the information in this document.
7. ADV shall have no liability for damages or infringement of any intellectual property or other rights arising out of the use of any information in this document, including, but not limited to, product data, diagrams, charts, programs, algorithms, and application circuit examples.
8. This document may not be reproduced or duplicated, in any form, in whole or in part, without prior written approval from ADV.