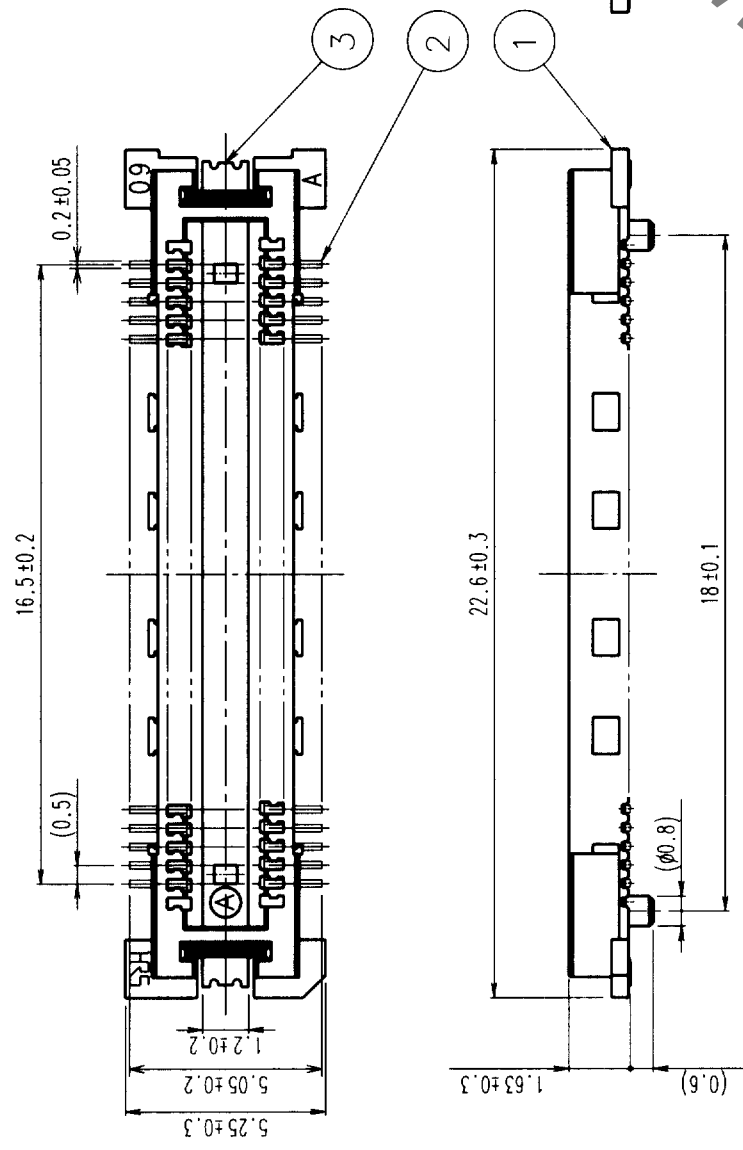
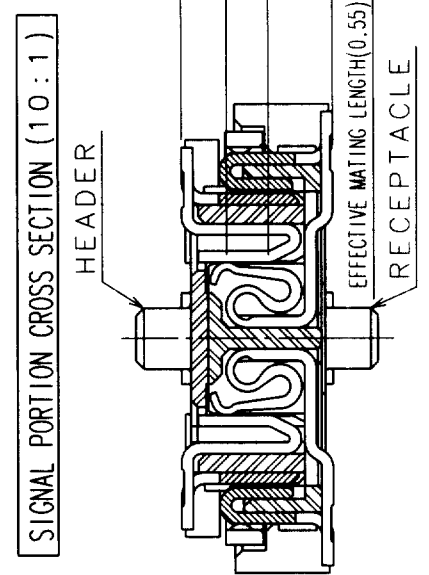
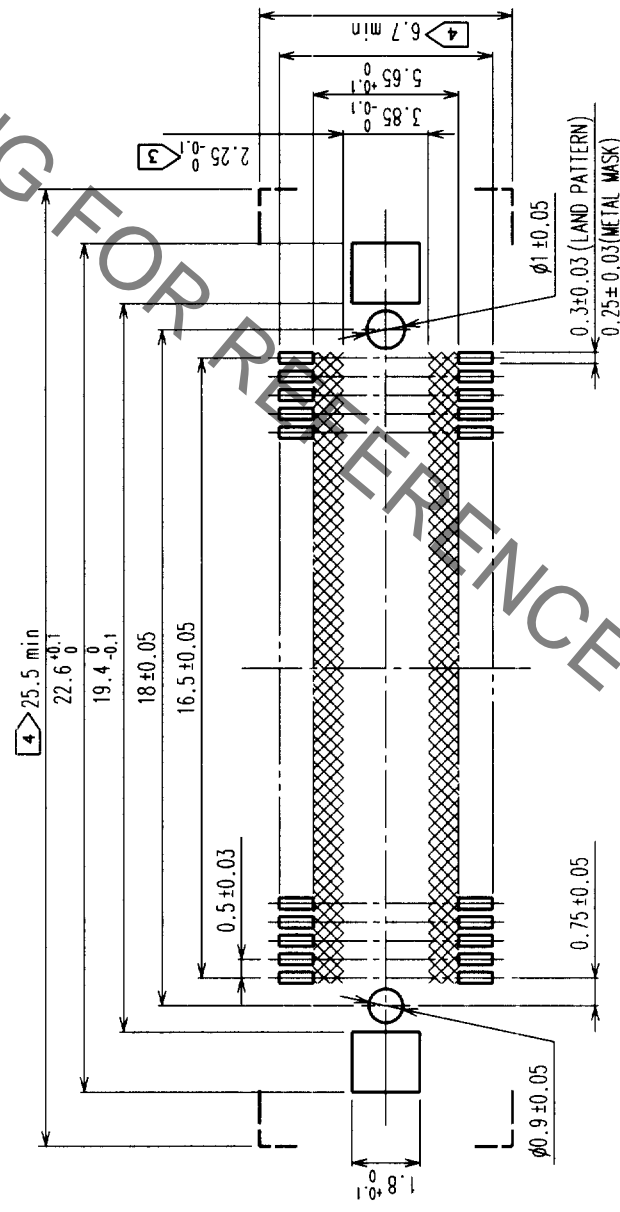


COUNT	DESCRIPTION OF REVISIONS	BY	CHKD	DATE	COUNT	DESCRIPTION OF REVISIONS	BY	CHKD	DATE
△					△				
△					△				
△					△				



RECOMMENDED LAND PATTERN DIMENSION OF PCB



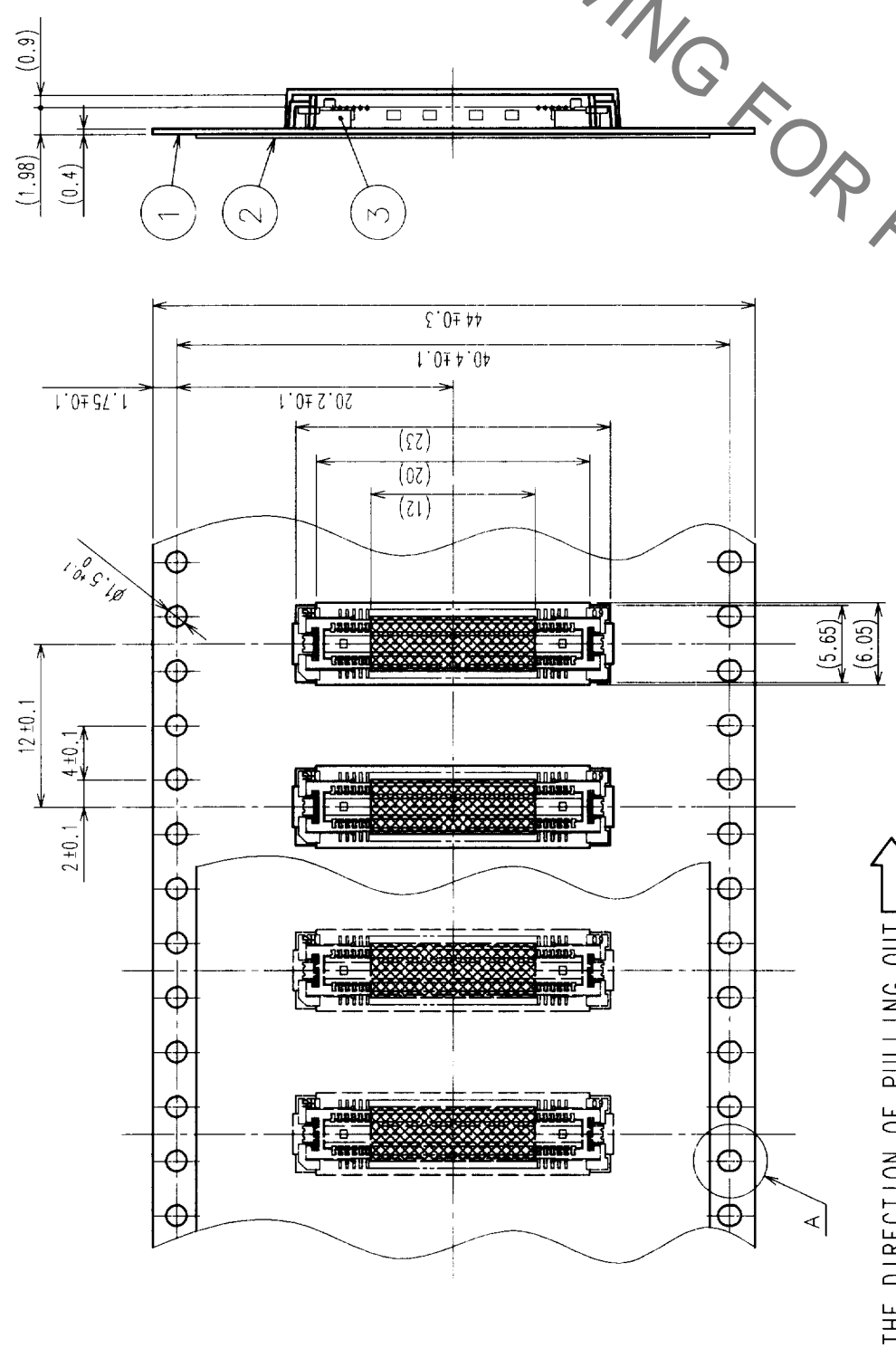
- NOTES
- SMT LEAD-COPLANARITY: 0.1 MAX.
 - THIS PRODUCT HAS NO POLARITY TO PATTERN FOR MOUNTING.
 - MAKE SURE WIDTH OF PATTERN IS WITHIN THAT OF LAND OR LEAD MAY TOUCH PATTERN. (THIS APPLIES TO HATCHED AREA.)
 - DO NOT MOUNT OTHER DEVICES ONTO □ AREA, OR MATING PAIR CANNOT BE MATED.
 - TO BE EMBOSSED CARRIER TAPED AS SPECIFIED IN SHEET 2.

2	COPPER ALLOY	CONTACT AREA: GOLD (0.1μm) OVER NICKEL LEAD: GOLD FLASH OVER NICKEL
1	LCP	BEIGE UL94V-0
NO.	MATERIAL	FINISH, REMARKS
3	PHOSPHOR BRONZE	TIN PLATED
CODE NO. (OLD)	CL	DRAWN
		DESIGNED
		CHECKED
		APPROVED
		RELEASED
DRAWING NO.	EDC3-152100-02	PART NO.
SCALE	5:1	FX11LA-68P-SV (22)
UNITS	mm	CODE NO.
		CL573-0042-1-22

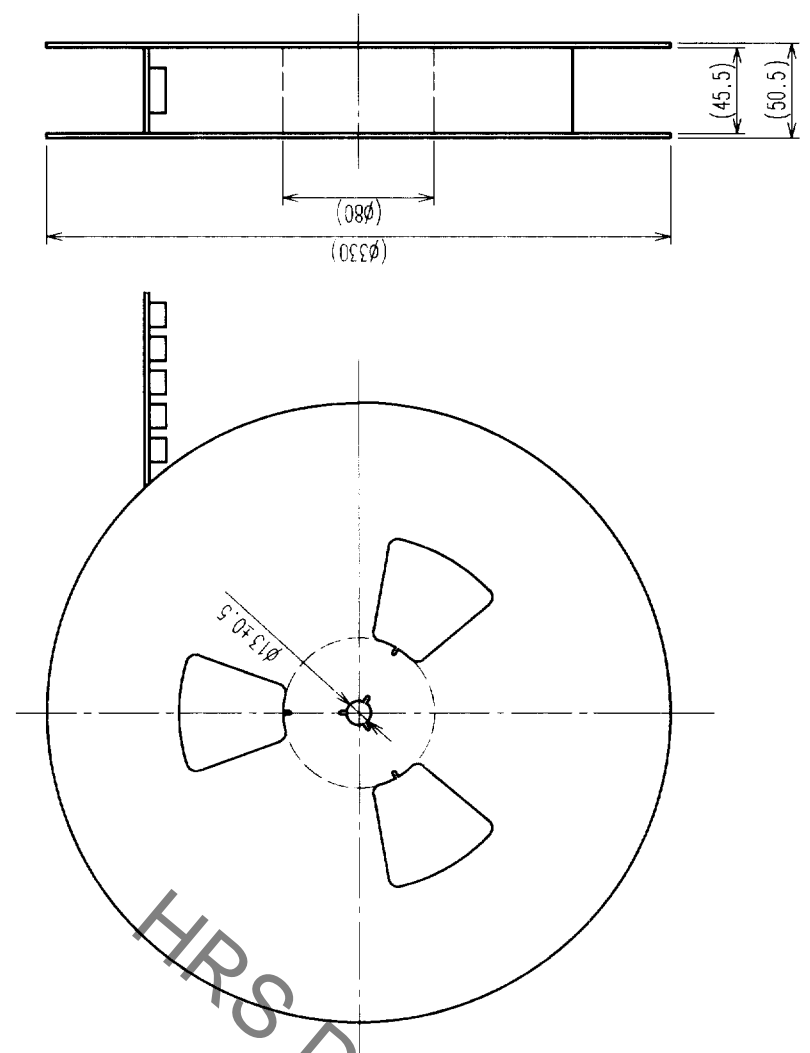
In case of consideration for usig Automotive equipment / device which demand high reliability, kindly contact our sales winglow correspondents.

Aug.1.2022 Copyright 2022 HIROSE ELECTRIC CO., LTD. All Rights Reserved.

COUNT	DESCRIPTION OF REVISIONS	BY	CHKD	DATE	COUNT	DESCRIPTION OF REVISIONS	BY	CHKD	DATE
△					△				
△					△				
△					△				



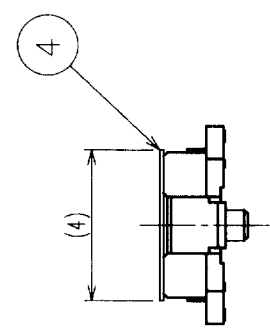
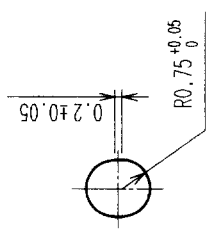
REELED DIMENSION (Free)



- NOTES
- 1 REEL: 1000 CONNECTORS.
 - 2 MINIMUM 10 COMPARTMENTS FROM BOTH REEL ENDS REMAIN EMPTY.
 - 3 THIS PRODUCT HAS NO POLARITY TO TAPE AND REEL PACKAGING.

DETAIL FOR VACUUM PICKUP (5:1)

A (5:1)



2	PET	TOP COVER TAPE	4	POLYIMIDE	(TAPE FOR VACUUM PICKUP)
1	PS	EMBOSSED CARRIER TAPE	3	(CONNECTOR)	
NO.	MATERIAL	FINISH, REMARKS	NO.	MATERIAL	FINISH, REMARKS
DRAWING FOR PACKING					
CODE NO. (OLD)		DRAWN		DESIGNED	CHECKED
CL		M. Takahashi		M. Takahashi	M. Sakita
		19.10.21		19.10.28	19.10.28
DRAWING NO.		PART NO.		APPROVED	
EDC3-152100-02		FX11LA-68P-SV(22)		Y. Yamaguchi	
SCALE		CODE NO.		RELEASED	
2:1		CL573-0042-1-22			
UNITS		mm			

TO	
PCK	