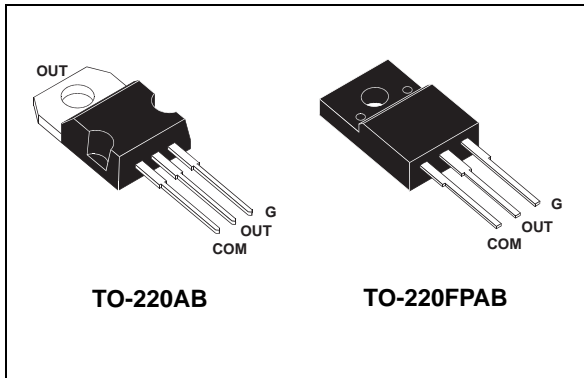


Overvoltage protected AC switch

Datasheet - production data



Description

The ACST10 series belongs to the ACST™/ACST power switch family built with A.S.D. (application specific discrete) technology. This high performance device is suited to home appliances or industrial systems, and drives loads up to 10 A.

This ACST10 switch has a Triac structure and a high voltage clamping device to absorb the inductive turn-off energy and withstand transients such as those described in the IEC 61000-4-5 standard. The ACST1010-7 needs a low gate current to be activated ($I_{GT} < 10 \text{ mA}$) and still shows a high noise immunity complying with IEC 61000-4-4 standard. The ACST1035-7 offers a high static dV/dt immunity of $2 \text{ kV}/\mu\text{s}$ minimum.

Features

- Triac with overvoltage crowbar protection
- Low $I_{GT} (< 10 \text{ mA})$ or high immunity ($I_{GT} < 35 \text{ mA}$) version
- High noise immunity: static $dV/dt > 2000 \text{ V}/\mu\text{s}$
- Provides UL certified insulation rated at 2000 V_{RMS}

Benefits

- Enables equipment to meet IEC 61000-4-5
- High off-state reliability with planar technology
- Need no external overvoltage protection
- Reduces the power passive component count
- High immunity against fast transients described in IEC 61000-4-4 standards

Applications

- AC mains static switching in appliance and industrial control systems
- Drive of medium power AC loads such as:
 - Universal motor of washing machine drum
 - Compressor for fridge or air conditioner

Figure 1. Functional diagram

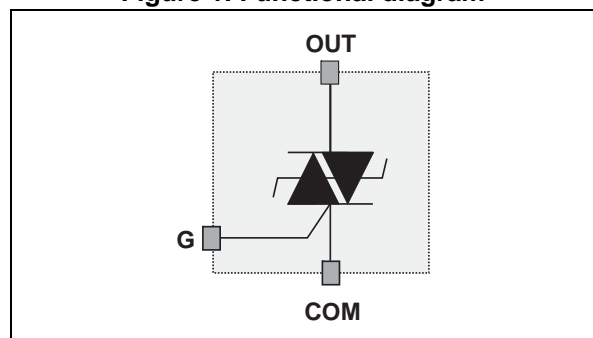


Table 1. Device summary

| Symbol | Value | Unit |
|-------------------|----------|------|
| $I_{T(RMS)}$ | 10 | A |
| V_{DRM}/V_{RRM} | 700 | V |
| I_{GT} | 10 or 35 | mA |

1 Characteristics

Table 2. Absolute ratings (limiting values)

| Symbol | Parameter | | Value | Unit | |
|--------------|--|------------|------------------------|-------------|------------------|
| $I_{T(RMS)}$ | On-state RMS current (full sine wave) | TO-220AB | $T_c = 105\text{ °C}$ | 10 | A |
| | | TO-220FPAB | $T_c = 84\text{ °C}$ | | |
| I_{TSM} | Non repetitive surge peak on-state current T_j initial = 25 °C, (full cycle sine wave) | F = 60 Hz | $t_p = 16.7\text{ ms}$ | 105 | A |
| | | F = 50 Hz | $t_p = 20\text{ ms}$ | 100 | A |
| I^2t | I^2t for fuse selection | | $t_p = 10\text{ ms}$ | 66 | A ² s |
| dI/dt | Critical rate of rise on-state current $I_G = 2 \times I_{GT}$, ($t_r \leq 100\text{ ns}$) | F = 120 Hz | $T_j = 125\text{ °C}$ | 100 | A/ μ s |
| V_{PP} | Non repetitive line peak pulse voltage ⁽¹⁾ | | $T_j = 25\text{ °C}$ | 2 | kV |
| $P_{G(AV)}$ | Average gate power dissipation | | $T_j = 125\text{ °C}$ | 0.1 | W |
| P_{GM} | Peak gate power dissipation ($t_p = 20\text{ }\mu$ s) | | $T_j = 125\text{ °C}$ | 10 | W |
| I_{GM} | Peak gate current ($t_p = 20\text{ }\mu$ s) | | $T_j = 125\text{ °C}$ | 1.6 | A |
| T_{stg} | Storage temperature range | | | -40 to +150 | °C |
| T_j | Operating junction temperature range | | | -40 to +125 | °C |
| T_l | Maximum lead solder temperature during 10 ms (at 3 mm from case) | | | 260 | °C |
| V_{INS} | Insulation RMS voltage (60 seconds) | TO-220FPAB | | 2000 | V |

1. According to test described in IEC 61000-4-5 standard and [Figure 17](#)

Table 3. Electrical characteristics

| Symbol | Test conditions | Quadrant | T_j | | Value | | Unit |
|-------------------------------------|--|--------------|--------|------|------------|------------|------------|
| | | | | | ACST1010-7 | ACST1035-7 | |
| $I_{GT}^{(1)}$ | $V_{OUT} = 12\text{ V}$, $R_L = 33\text{ }\Omega$ | I - II - III | 25 °C | MAX. | 10 | 35 | mA |
| V_{GT} | $V_{OUT} = 12\text{ V}$, $R_L = 33\text{ }\Omega$ | I - II - III | 25 °C | MAX. | 1.0 | | V |
| V_{GD} | $V_{OUT} = V_{DRM}$, $R_L = 3.3\text{ }\Omega$ | I - II - III | 125 °C | MIN. | 0.2 | | V |
| $I_H^{(2)}$ | $I_{OUT} = 500\text{ mA}$ | | 25 °C | MAX. | 30 | 50 | mA |
| I_L | $I_G = 1.2 \times I_{GT}$ | I - II - III | 25 °C | MAX. | 50 | 70 | mA |
| dV/dt ⁽²⁾ | $V_{OUT} = 67\% V_{DRM}$, gate open | | 125 °C | MIN. | 200 | 2000 | V/ μ s |
| (dI/dt) _C ⁽²⁾ | (dV/dt) _C = 15 V/ μ s | | 125 °C | MIN. | 4.4 | | A/ms |
| | Without snubber | | | | 12 | | |
| V_{CL} | $I_{CL} = 0.1\text{ mA}$, $t_p = 1\text{ ms}$ | | 25 °C | MIN. | 850 | | V |

1. Minimum I_{GT} is guaranteed at 5% of I_{GT} max
2. For both polarities of OUT pin referenced to COM pin

Table 4. Static characteristics

| Symbol | Test conditions | | | Value | Unit |
|------------------------|--|-----------------------------|------|-------|---------------|
| $V_{TM}^{(1)}$ | $I_{OUT} = 14.1\text{ A}$, $t_p = 500\ \mu\text{s}$ | $T_j = 25\ ^\circ\text{C}$ | Max. | 1.5 | V |
| $V_{T0}^{(1)}$ | Threshold voltage | $T_j = 125\ ^\circ\text{C}$ | Max. | 0.9 | V |
| $R_d^{(1)}$ | Dynamic resistance | $T_j = 125\ ^\circ\text{C}$ | Max. | 35 | m Ω |
| I_{DRM} I_{RRM} | $V_{OUT} = V_{DRM} / V_{RRM}$ | $T_j = 25\ ^\circ\text{C}$ | Max. | 20 | μA |
| | | $T_j = 125\ ^\circ\text{C}$ | Max. | 1.2 | mA |

1. For both polarities of OUT pin referenced to COM pin

Table 5. Thermal characteristics

| Symbol | Parameter | | Value | Unit |
|---------------|-----------------------|------------------------|-------|--------------------|
| $R_{th(j-c)}$ | Junction to case (AC) | TO-220AB | 1.7 | $^\circ\text{C/W}$ |
| | | TO-220FPAB | 3.5 | $^\circ\text{C/W}$ |
| $R_{th(j-a)}$ | Junction to ambient | TO-220AB TO-220FPAB | 60 | $^\circ\text{C/W}$ |

Figure 2. Maximum power dissipation vs. RMS on-state current (full cycle)

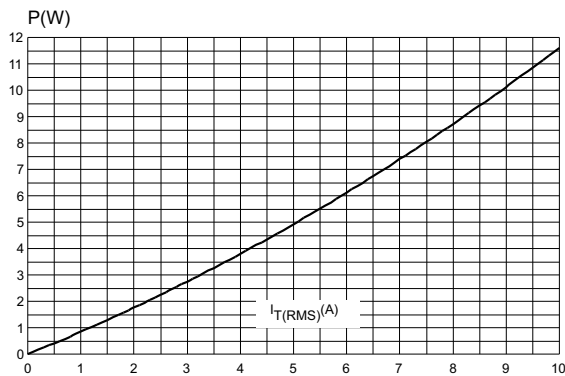


Figure 3. On-state RMS current vs. case temperature (full cycle)

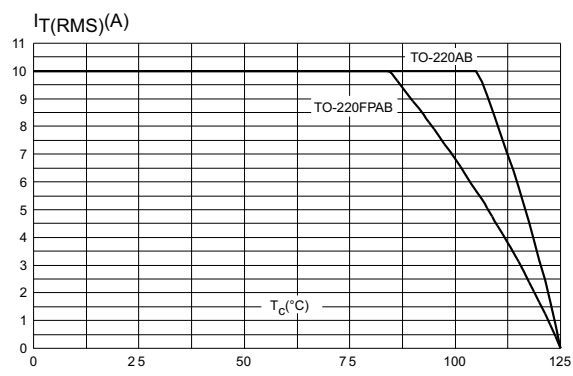


Figure 4. On-state RMS current vs. ambient temperature (free air convection full cycle)

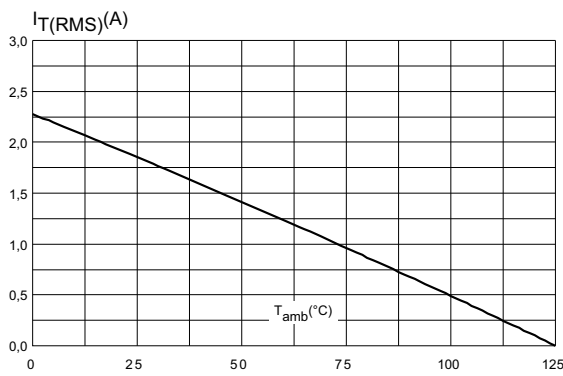


Figure 5. Relative variation of thermal impedance vs. pulse duration

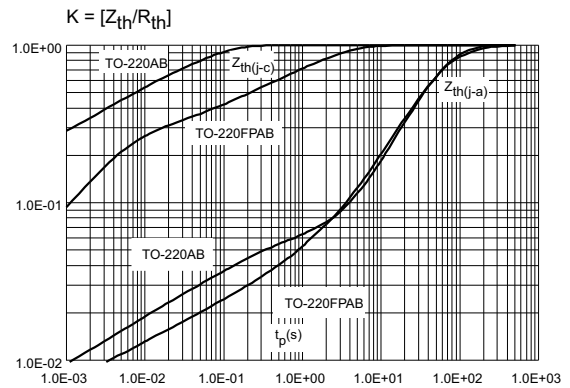


Figure 6. On-state characteristics (maximal values)

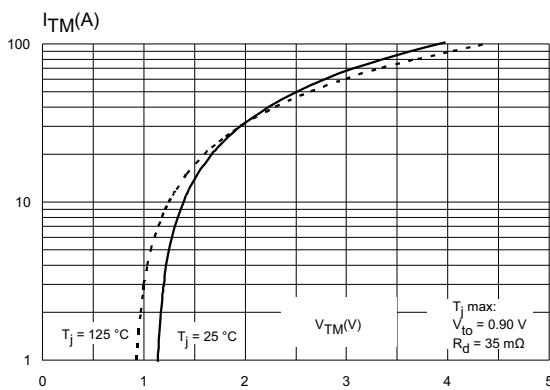


Figure 7. Surge peak on-state current vs. number of cycles

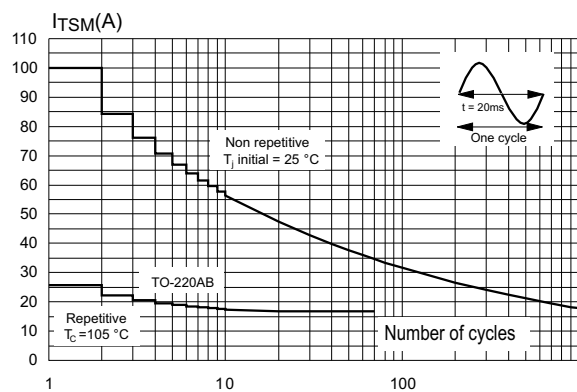


Figure 8. Non repetitive surge peak on-state current for a sinusoidal pulse

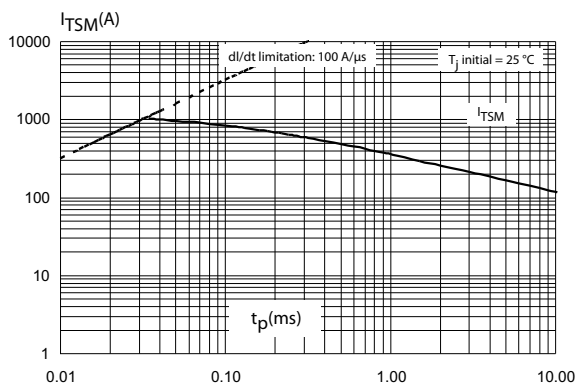


Figure 9. Relative variation of gate triggering current (I_GT) and gate triggering voltage (V_GT) vs. junction temperature

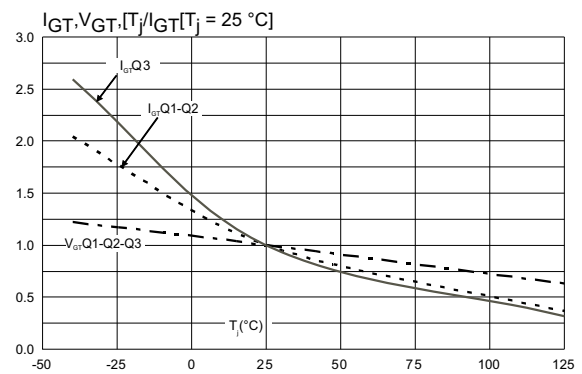


Figure 10. Relative variation of holding (I_H) and latching current (I_L) vs. junction temperature (typical values)

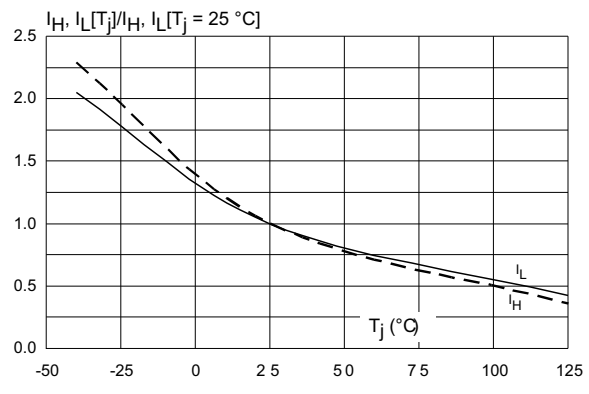


Figure 11. Relative variation of critical rate of decrease of main current $(di/dt)_c$ vs. $(dV/dt)_c$

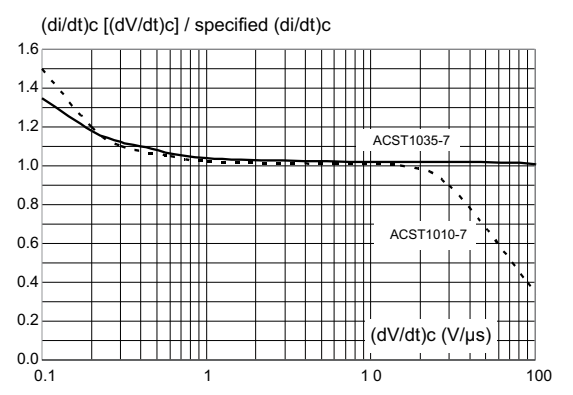


Figure 12. Relative variation of critical rate of decrease of main current $(di/dt)_c$ vs. junction temperature

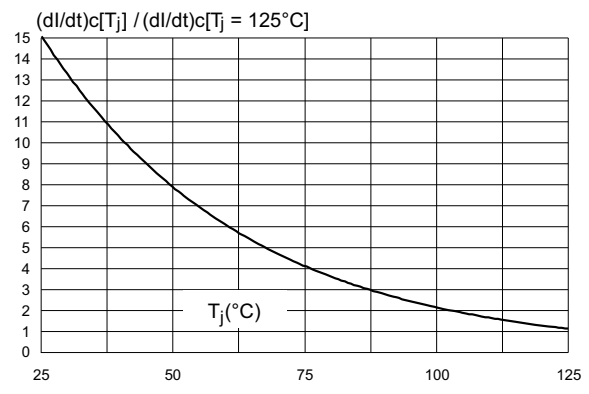


Figure 13. Relative variation of static dV/dt vs. junction temperature

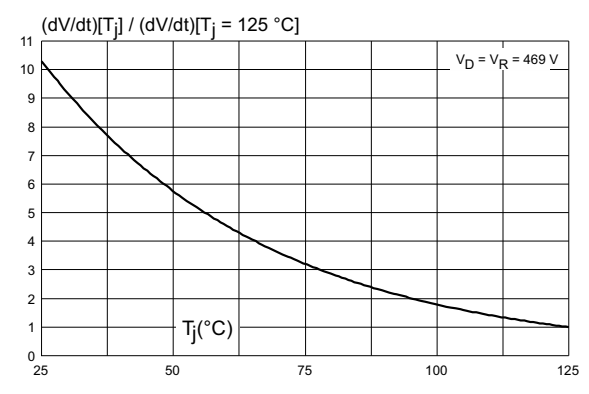
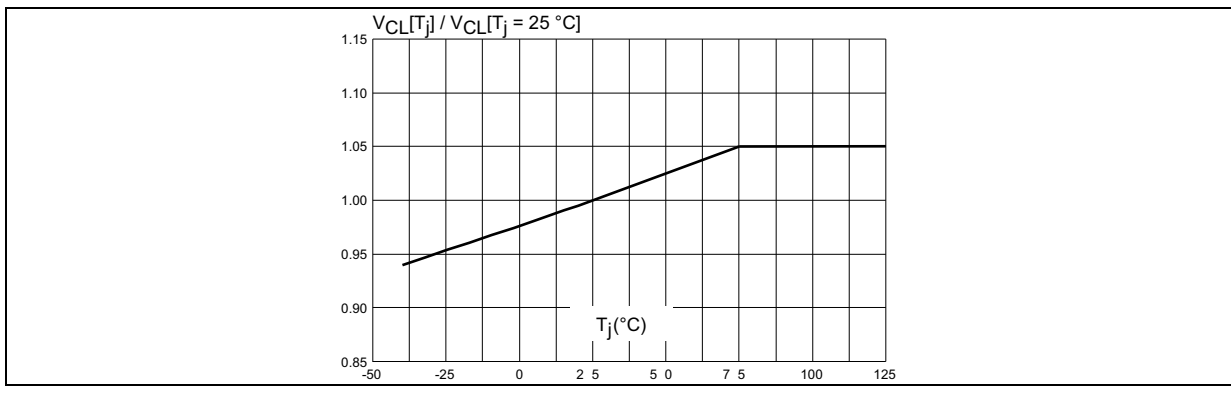


Figure 14. Relative variation of maximum clamping voltage V_{CL} vs. junction temperature (minimum values)



2 Application information

2.1 Typical application description

The ACST10 device has been designed to control medium power load, such as AC motors in home appliances. Thanks to its thermal and turn off commutation performances, the ACST10 switch is able to drive an inductive load up to 10 A with no turn off additional snubber. It also provides high thermal performances in static and transient modes such as the compressor inrush current or high torque operating conditions of an AC motor. Thanks to its low gate triggering current level, the ACST1010-7 can be driven directly by an MCU through a simple gate resistor as shown [Figure 15](#).

Figure 15. Compressor control – typical diagram

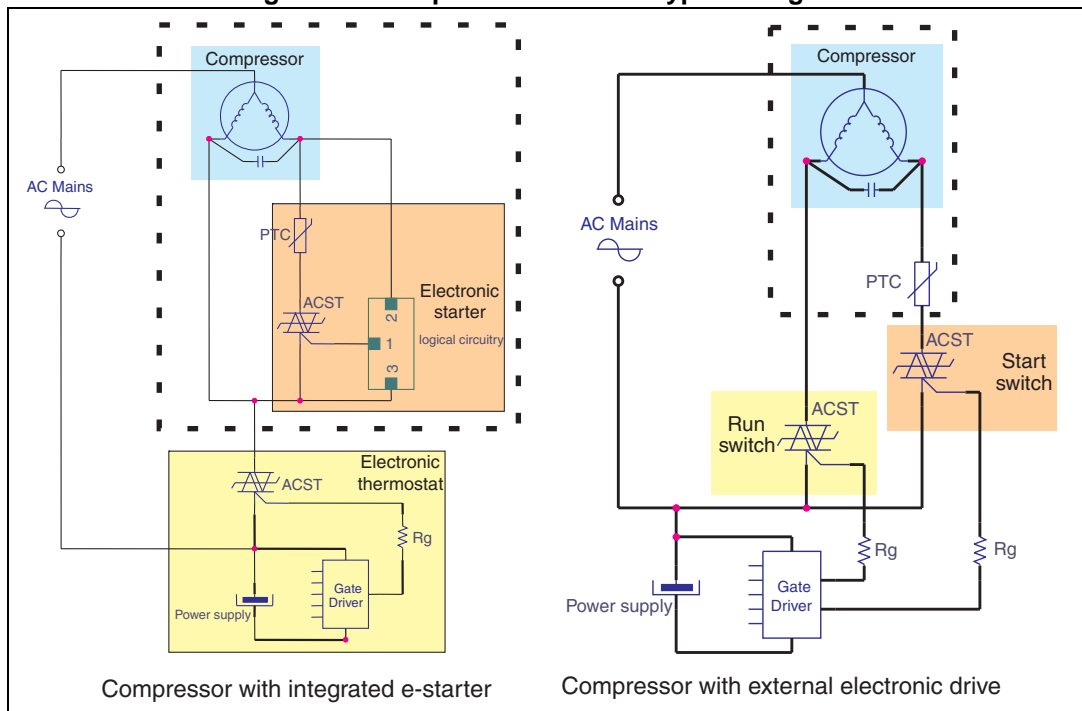
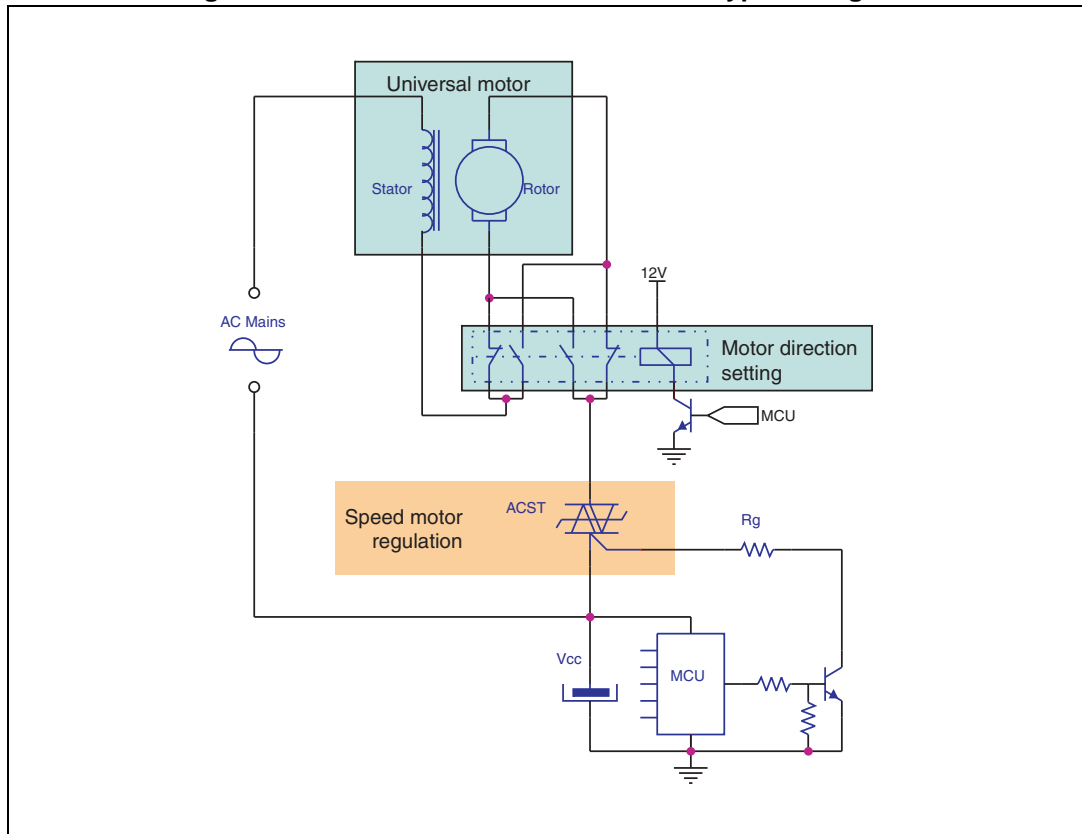


Figure 16. Universal drum motor control – typical diagram



2.2 AC line transient voltage ruggedness

In comparison with standard Triacs, which needs additional protection components against, the ACST10 is self-protected against overvoltage, specified by the new parameter V_{CL} . The ACST10 switch can safely withstand AC line transient voltages either by clamping the low energy spikes, such as inductive spikes at switch off, or by switching to the on state (for less than 10 ms) to dissipate higher energy shocks through the load. This safety feature works even with high turn-on current ramp up.

The test circuit of [Figure 17](#) represents the ACST10 application, and is used to stress the ACST10 switch according to the IEC 61000-4-5 standard conditions. With the additional effect of the load which is limiting the current, the ACST10 switch withstands the voltage spikes up to 2 kV on top of the peak line voltage. The protection is based on an overvoltage crowbar technology. The ACST10 folds back safely to the on state as shown in [Figure 18](#). The ACST10 recovers its blocking voltage capability after the surge and the next zero current crossing. Such a non repetitive test can be done at least 10 times on each AC line voltage polarity.

Figure 17. Overvoltage ruggedness test circuit for resistive and inductive loads for IEC 61000-4-5 standards

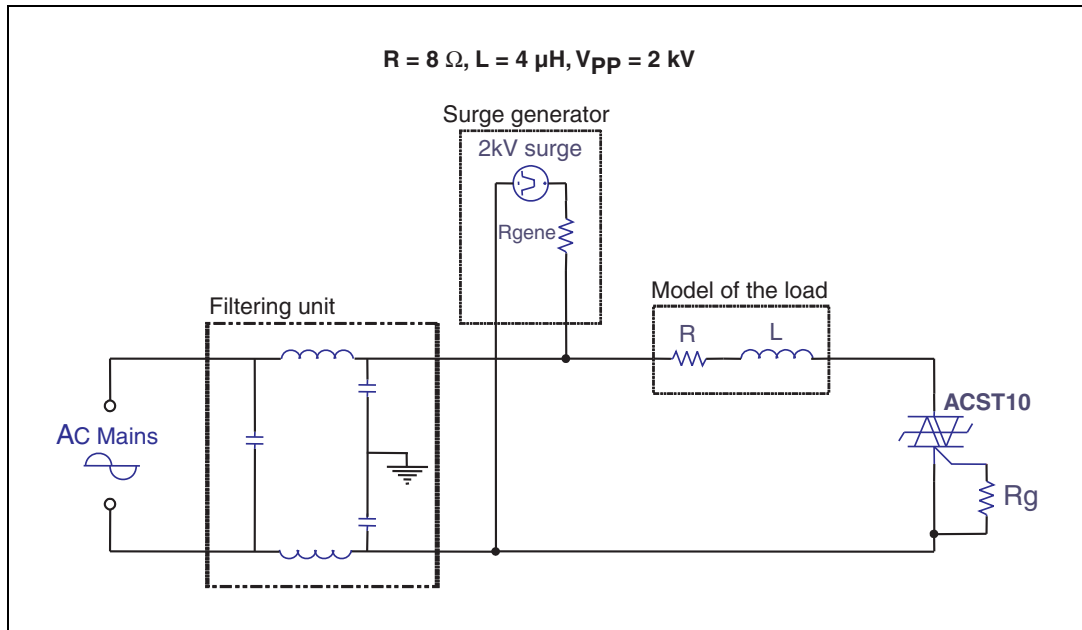
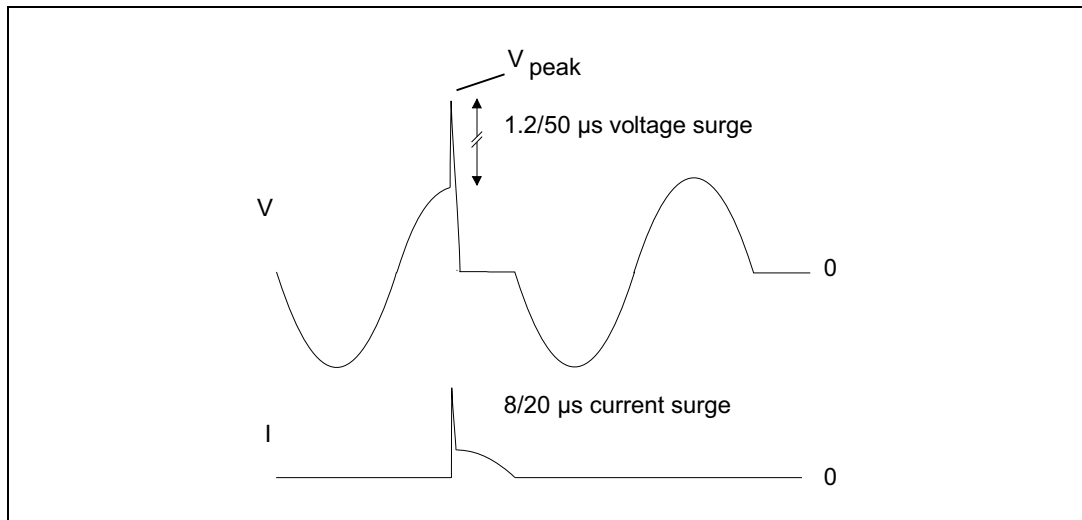


Figure 18. Typical current and voltage waveforms across the ACST10 during IEC 61000-4-5 standard test



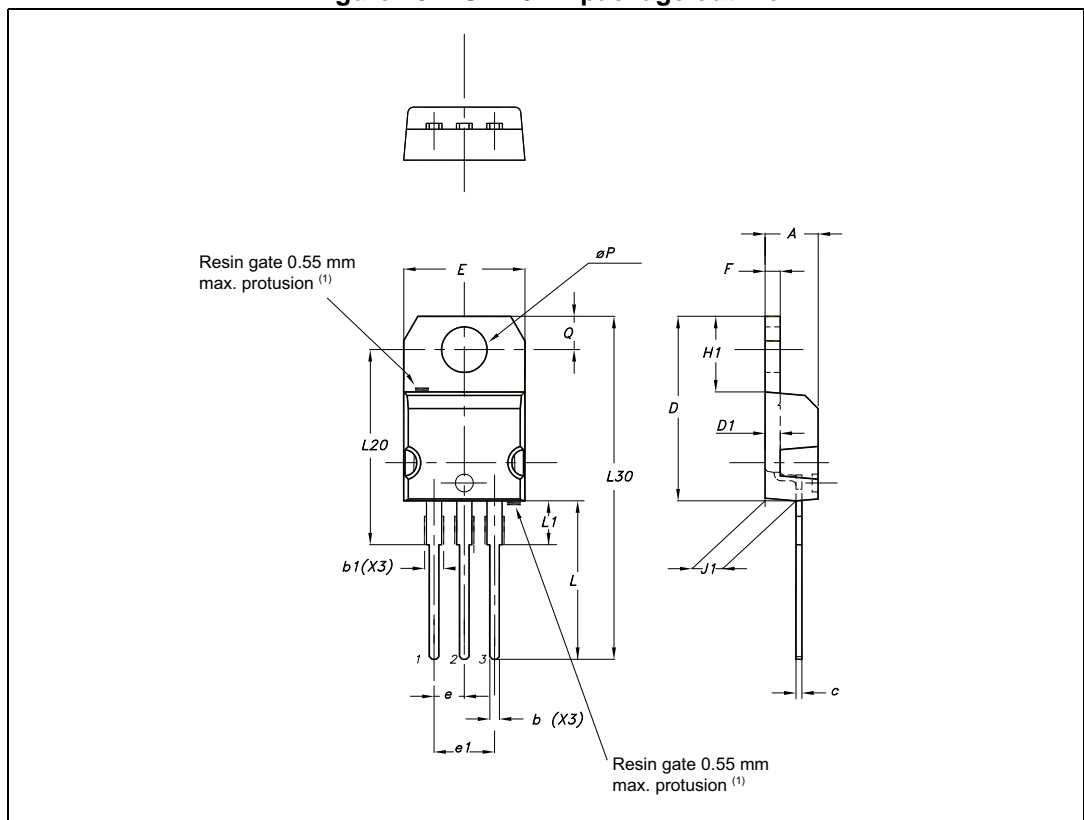
3 Package information

- Epoxy meets UL94, V0
- Recommended torque: 0.4 to 0.6 N·m

In order to meet environmental requirements, ST offers these devices in different grades of ECOPACK[®] packages, depending on their level of environmental compliance. ECOPACK[®] specifications, grade definitions and product status are available at: www.st.com. ECOPACK[®] is an ST trademark.

3.1 TO-220AB package information

Figure 19. TO-220AB package outline



1. Resin gate position accepted in one of the two positions or in the symmetrical opposites.

Table 6. TO-220AB package mechanical data

| Ref. | Dimensions | | | | | |
|--------|-------------|-------|-------|-----------------------|--------|--------|
| | Millimeters | | | Inches ⁽¹⁾ | | |
| | Typ. | Min. | Max. | Typ. | Min. | Max. |
| A | | 4.40 | 4.60 | | 0.1732 | 0.1811 |
| b | | 0.61 | 0.88 | | 0.0240 | 0.0346 |
| b1 | | 1.14 | 1.70 | | 0.0449 | 0.0669 |
| c | | 0.48 | 0.70 | | 0.0189 | 0.0276 |
| D | | 15.25 | 15.75 | | 0.6004 | 0.6201 |
| D1 | 1.27 | | | 0.0500 | | |
| E | | 10 | 10.40 | | 0.3937 | 0.4094 |
| e | | 2.40 | 2.70 | | 0.0945 | 0.1063 |
| e1 | | 4.95 | 5.15 | | 0.1949 | 0.2028 |
| F | | 1.23 | 1.32 | | 0.0484 | 0.0520 |
| H1 | | 6.20 | 6.60 | | 0.2441 | 0.2598 |
| J1 | | 2.40 | 2.72 | | 0.0945 | 0.1071 |
| L | | 13 | 14 | | 0.5118 | 0.5512 |
| L1 | | 3.50 | 3.93 | | 0.1378 | 0.1547 |
| L20 | 16.40 | | | 0.6457 | | |
| L30 | 28.90 | | | 1.1378 | | |
| Diam.P | | 3.75 | 3.85 | | 0.1476 | 0.1516 |
| Q | | 2.65 | 2.95 | | 0.1043 | 0.1161 |

1. Values in inches are converted from mm and rounded to 4 decimal digits.

3.2 TO-220FPAB package information

Figure 20. TO-220FPAB package outline

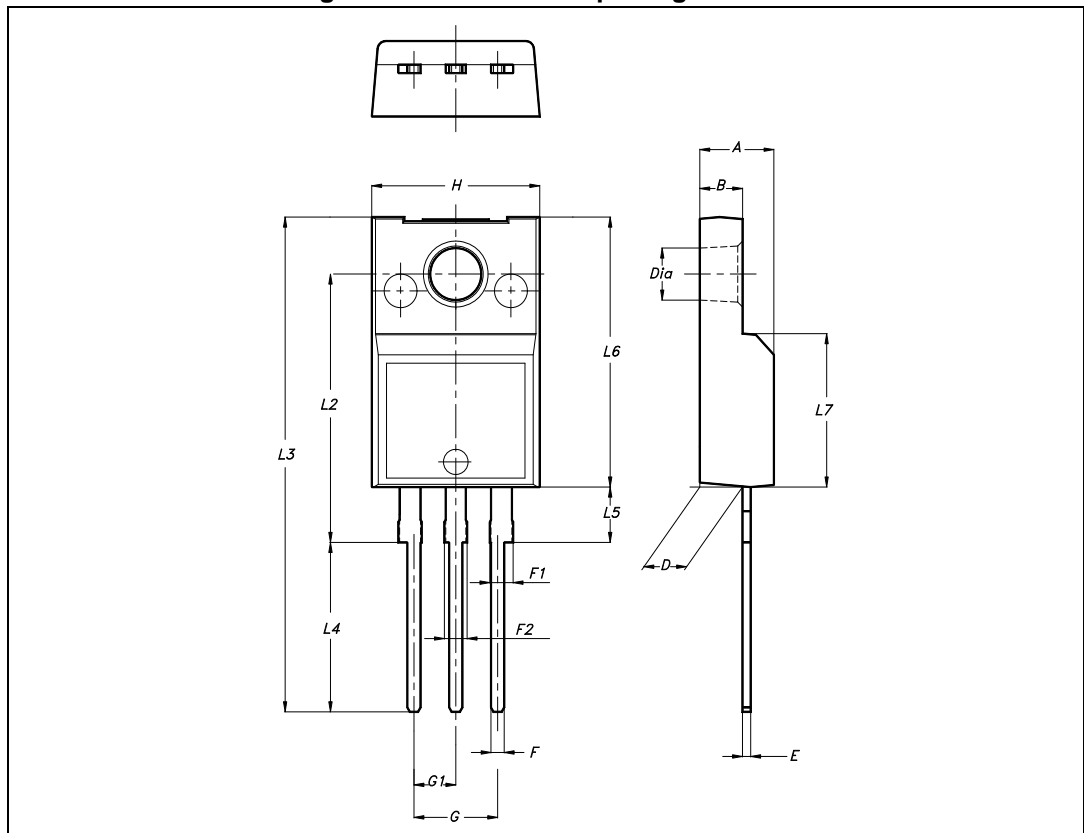


Table 7. TO-220FPAB package mechanical data

| Ref. | Dimensions | | | | | |
|------|-------------|------|-------|-----------------------|--------|--------|
| | Millimeters | | | Inches ⁽¹⁾ | | |
| | Typ. | Min. | Max. | Typ. | Min. | Max. |
| A | | 4.4 | 4.6 | | 0.1732 | 0.1811 |
| B | | 2.5 | 2.7 | | 0.0984 | 0.1063 |
| D | | 2.5 | 2.75 | | 0.0984 | 0.1083 |
| E | | 0.45 | 0.70 | | 0.0177 | 0.0276 |
| F | | 0.75 | 1 | | 0.0295 | 0.0394 |
| F1 | | 1.15 | 1.70 | | 0.0453 | 0.0669 |
| F2 | | 1.15 | 1.70 | | 0.0453 | 0.0669 |
| G | | 4.95 | 5.2 | | 0.1949 | 0.2047 |
| G1 | | 2.4 | 2.7 | | 0.0945 | 0.1063 |
| H | | 10 | 10.40 | | 0.3937 | 0.4094 |
| L2 | 16 | | | 0.6299 | | |
| L3 | | 28.6 | 30.6 | | 1.1260 | 1.2047 |
| L4 | | 9.8 | 10.6 | | 0.3858 | 0.4173 |
| L5 | | 2.9 | 3.6 | | 0.1142 | 0.1417 |
| L6 | | 15.9 | 16.4 | | 0.6260 | 0.6457 |
| L7 | | 9 | 9.3 | | 0.3543 | 0.3661 |
| Dia. | | 3 | 3.2 | | 0.1181 | 0.1260 |

1. Values in inches are converted from mm and rounded to 4 decimal digits.

4 Ordering information

Figure 21. Ordering information scheme

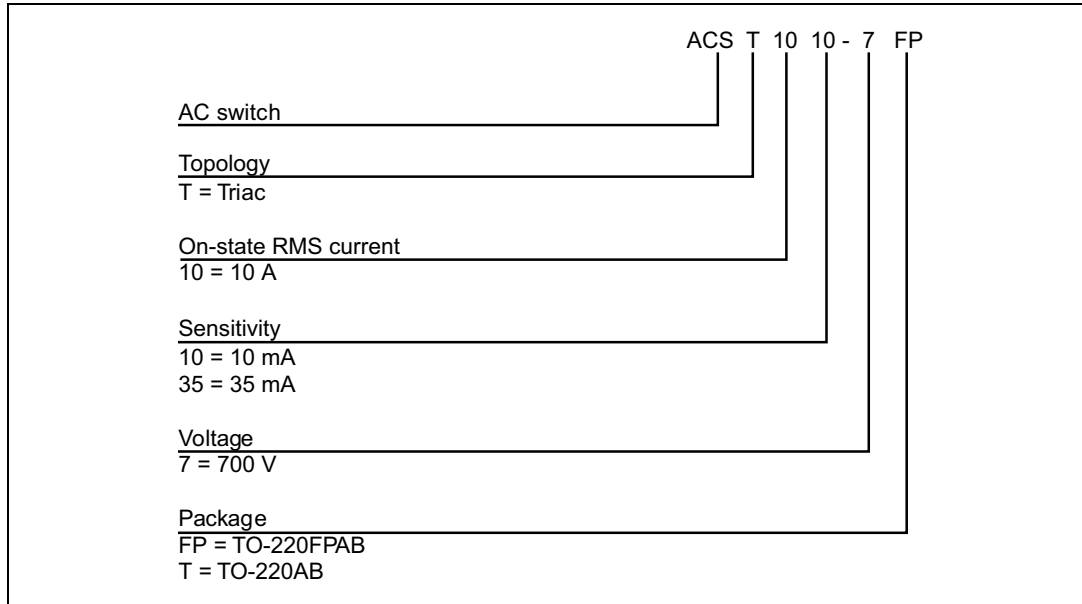


Table 8. Ordering information

| Order code | Marking | Package | Weight | Base qty | Packing mode |
|--------------|-----------|------------|--------|----------|--------------|
| ACST1010-7T | ACST10107 | TO-220AB | 2.3 g | 50 | Tube |
| ACST1010-7FP | | TO-220FPAB | 2.3 g | 50 | Tube |
| ACST1035-7T | ACST10357 | TO-220AB | 2.3 g | 50 | Tube |
| ACST1035-7FP | | TO-220FPAB | 2.3 g | 50 | Tube |

5 Revision history

Table 9. Document revision history

| Date | Revision | Changes |
|-------------|----------|---|
| 02-Dec-2008 | 1 | First issue |
| 13-Apr-2009 | 2 | Updated ECOPACK statement. Reformatted for consistency with other datasheets in this product class. |
| 01-Jul-2010 | 3 | Updated order code in <i>Table 3</i> . |
| 19-Sep-2016 | 4 | Updated Features in cover page and <i>Table 2</i> . Updated <i>Figure 8</i> , <i>Figure 11</i> , <i>Figure 18</i> , <i>Figure 14</i> and <i>Figure 10</i> . Updated <i>Section 2.2</i> . Updated <i>Chapter 3: Package information</i> . |

IMPORTANT NOTICE – PLEASE READ CAREFULLY

STMicroelectronics NV and its subsidiaries ("ST") reserve the right to make changes, corrections, enhancements, modifications, and improvements to ST products and/or to this document at any time without notice. Purchasers should obtain the latest relevant information on ST products before placing orders. ST products are sold pursuant to ST's terms and conditions of sale in place at the time of order acknowledgement.

Purchasers are solely responsible for the choice, selection, and use of ST products and ST assumes no liability for application assistance or the design of Purchasers' products.

No license, express or implied, to any intellectual property right is granted by ST herein.

Resale of ST products with provisions different from the information set forth herein shall void any warranty granted by ST for such product.

ST and the ST logo are trademarks of ST. All other product or service names are the property of their respective owners.

Information in this document supersedes and replaces information previously supplied in any prior versions of this document.

© 2016 STMicroelectronics – All rights reserved