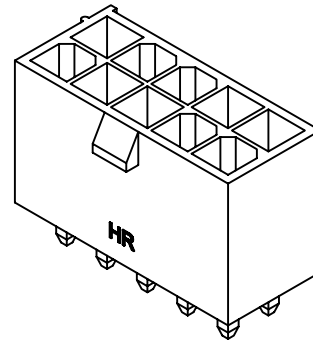
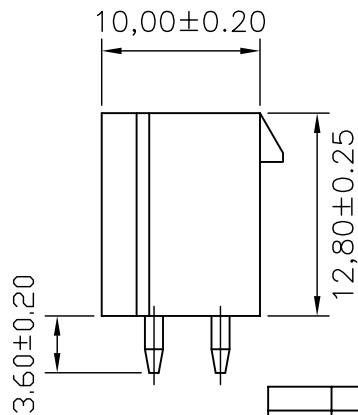
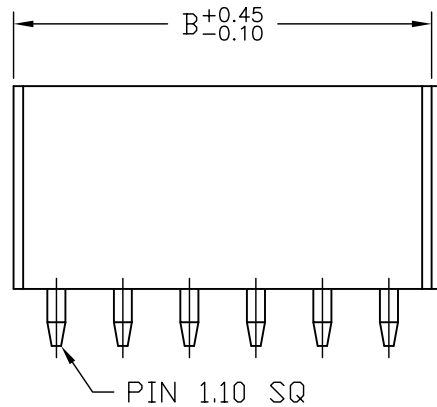


P.C.B LAYOUT



P/N LEGEND

<b>C4255 WV-2XNP</b>		
①	②	③
① Series No.	② Connector type: WV=Vertical	③ No. of circuits

SPECIFICATIONS

Current Rating: 9A AC,DC  
 Voltage Rating: 600V AC,DC  
 Temperature Range: -25°C ~ +85°C  
 Contact Resistance: 10mΩ Max  
 Insulation Resistance: 1000MΩ Min  
 Withstanding Voltage: 1500V AC/minute  
 Pin Material: Brass/Tin-plated  
 Material: Nylon 66,UL94V-2  
 Color: Natural(Translucent)

Circuit No.	Dimensions	
	A	B
2X01P	---	5.40
2X02P	4.20	9.60
2X03P	8.40	13.80
2X04P	12.60	18.00
2X05P	16.80	22.20
2X06P	21.00	26.40
2X07P	25.20	30.60
2X08P	29.40	34.80
2X09P	33.60	39.00
2X10P	37.80	43.20
2X11P	42.00	47.40
2X12P	46.20	51.60

<b>燦達電子工業股份有限公司</b> <b>JOINT TECH ELECTRONIC IND. CO., LTD.</b>				
UNIT	SCALE	SHEET	TITLE:	
mm	1 : 1	1 of 2		
DRAWN BY	APPROVED BY		<b>4.20mm PITCH</b> <b>180° WAFER, MINI-FIT</b>	
董正一 2001.02.01	董正一 2001.02.01			
GENERAL TOLERANCE				
X. X±0.25	ANGLE±		DRAW NO. : C4255WV-2XNP	
X. XX±0.15				
X. XXX±0.05				
B2 REV.	EN1404170004 DESCRIPTION	2014.04.17 DATE	郭木恩 NAME	REV. B2